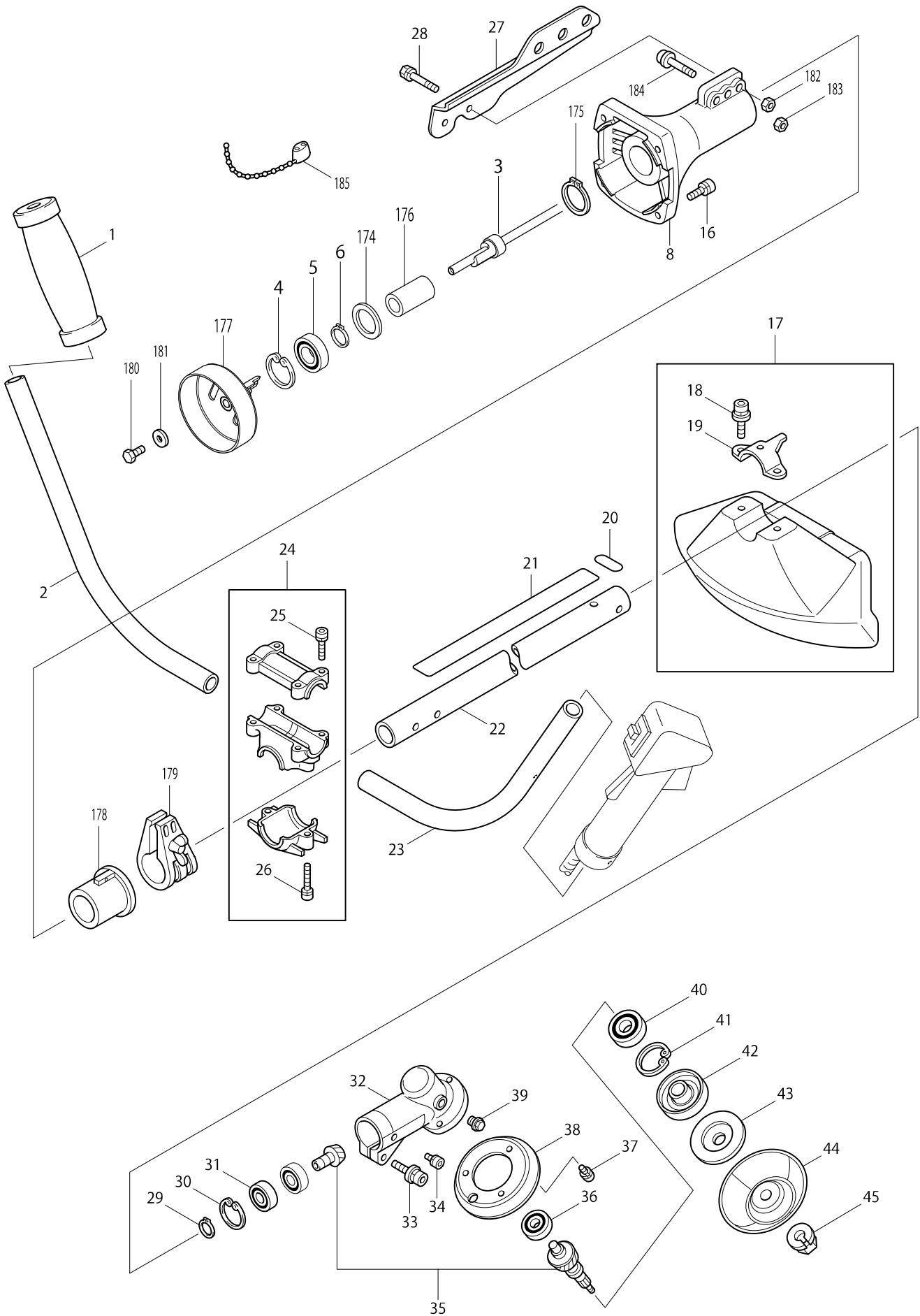
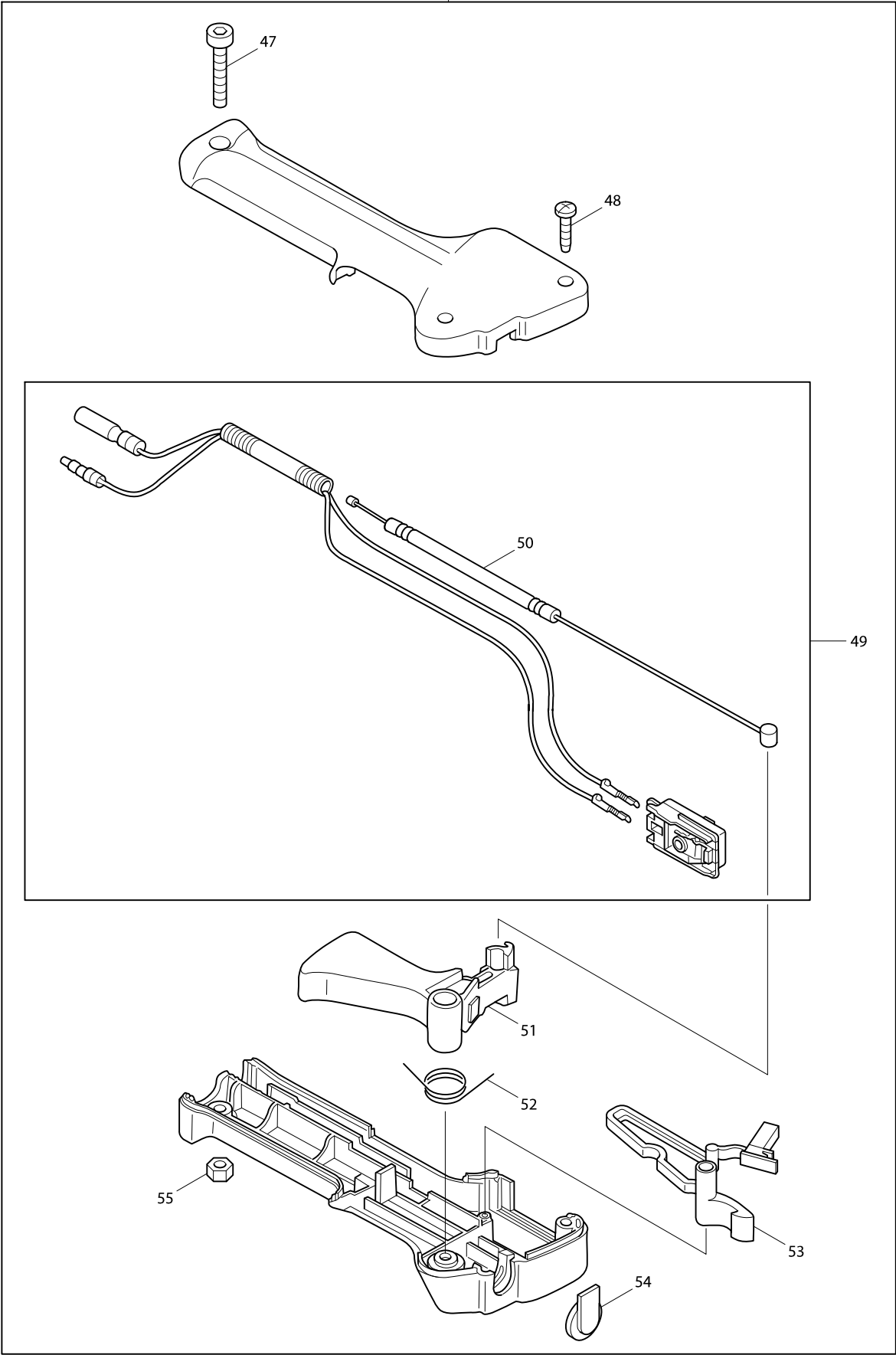


Model No. RBC411 BRUSH CUTTER

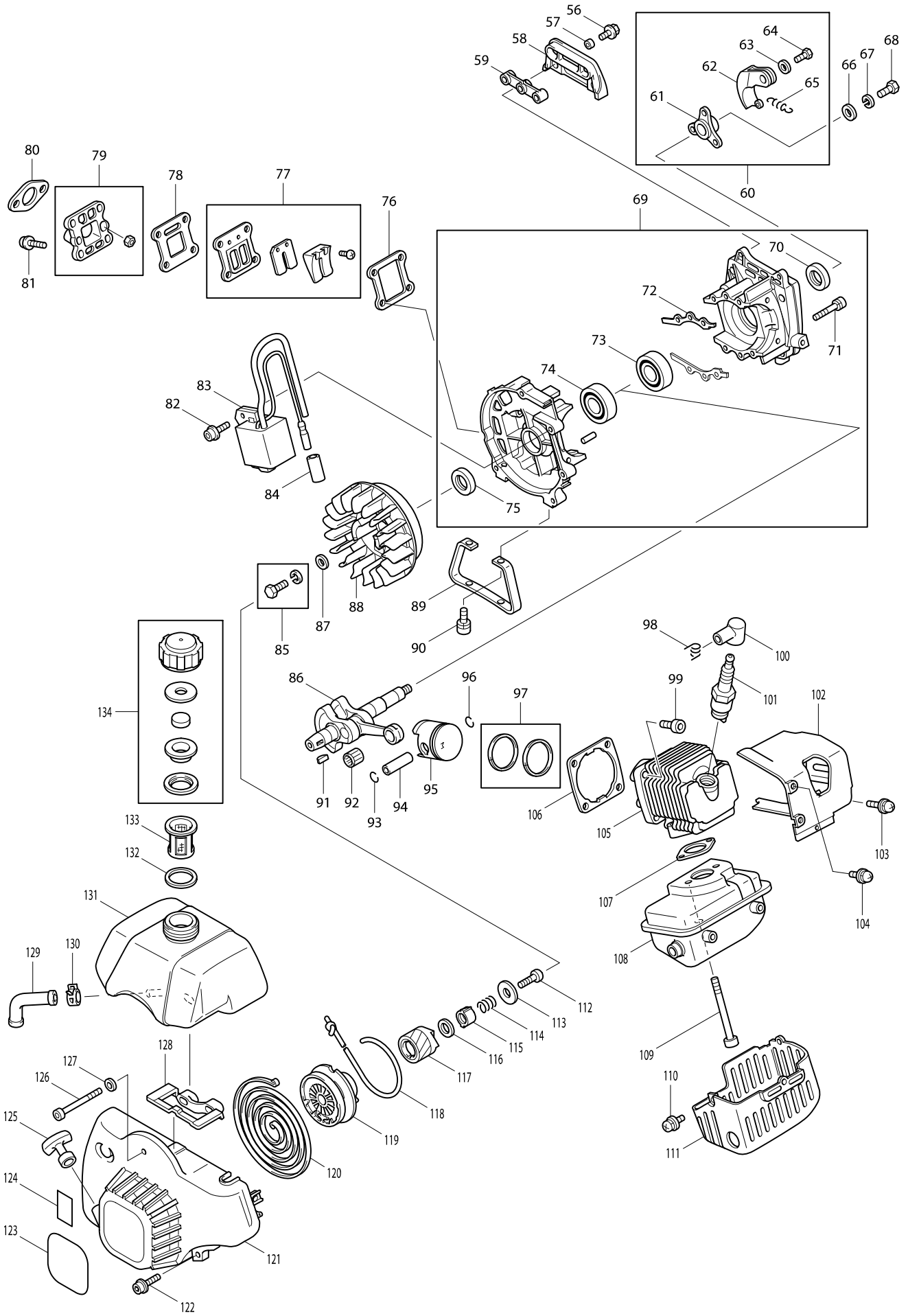


Model No. RBC411 BRUSH CUTTER

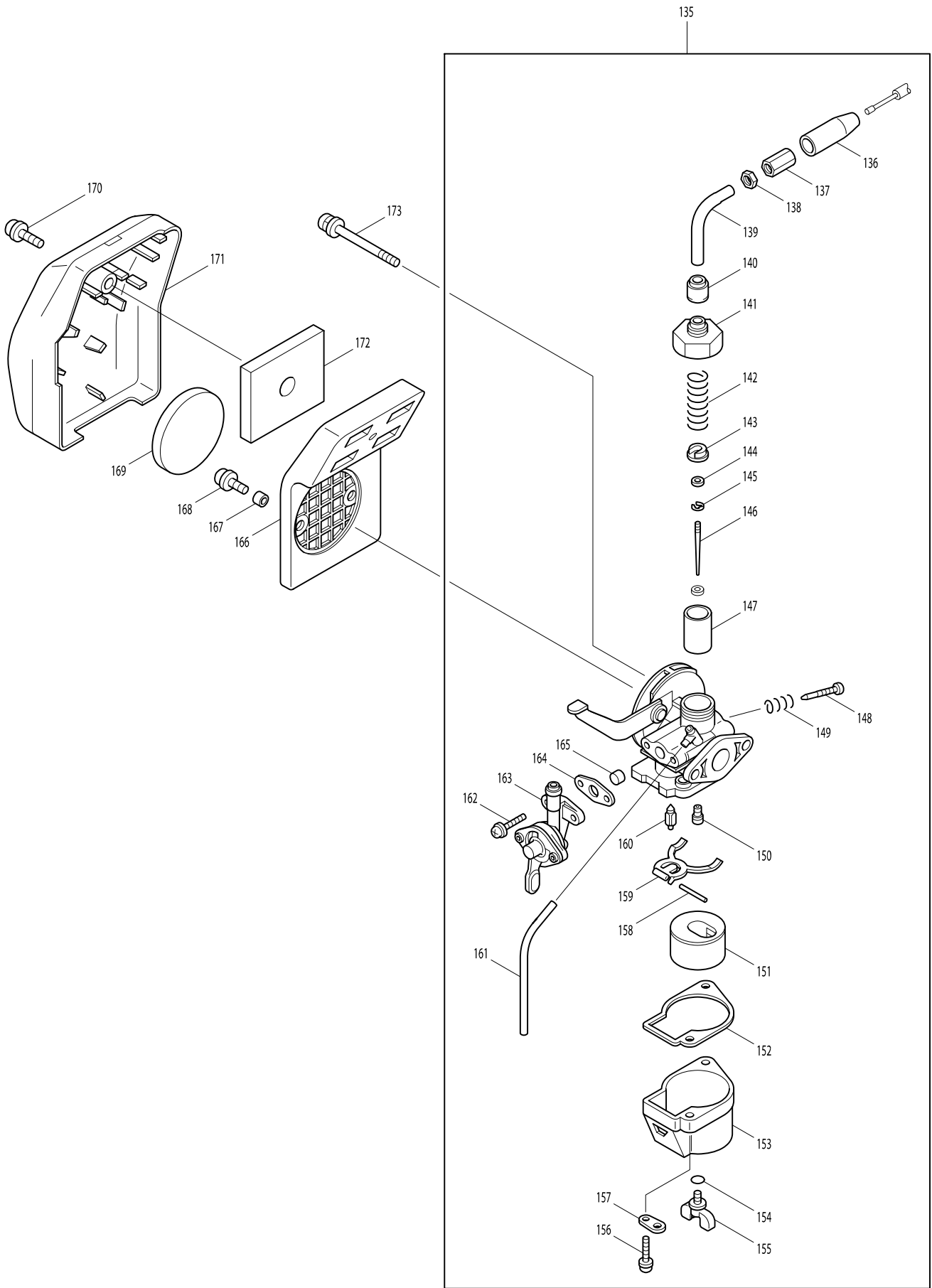
46



Model No. RBC411 BRUSH CUTTER



Model No. RBC411 BRUSH CUTTER



Model No. RBC411 BRUSH CUTTER

Item	Parts No.	Description	I/C	QTY	N/O	Opt. 1	Opt. 2	NOTE
001	6274501000	GRIP		1	*			
001-1	273526-7	GRIP 18	O	1				
002	6274500801	HANDLE		1	*			
002-1	331909-8	HANDLE 19	O	1				
003A	6411009002	SHAFT COMPLETE		1	*			
D10		INC. 4-6			*			
003Z	6411039000	SHAFT ASSY		1	*			
D10		INC. 4-6			*			
003-1A	140890-0	SHAFT COMPLETE	O	1				
D10		INC. 4-6						
003-1Z	6411009002	SHAFT COMPLETE	S	1	*			
D10		INC. 4-6			*			
003-2Z	140890-0	SHAFT COMPLETE	O	1				
D10		INC. 4-6						
004	0031435000	INNER SNAP RING		1	*			
004-1	962153-2	RETAINING RING R-35	O	1				
005A	0600179800	BALL BEARING		1	*			
005Z	0600179810	BALL BEARING 6003DDV		1	*			
005-1A	210123-8	BALL BEARING 6003DDU	O	1				
005-1Z	0600179850	BALL BEARING	S	1				
006	0031517000	OUTER SNAP RING		1	*			
006-1	961057-5	RETAINING RING S-17	O	1				
007A	6341500600	SPACER		1	*			
007Z	6341500600	SPACER		1	*			
007-1A	451157-4	SPACER	O	1				
008A	6351006000	CLUTCH CASE (NO PAINT)		1	*			
D10		INC. 187			*			
008Z	6341500200	CASE,CLUTCH 1		1	*			
008-1A	6351006001	CASE CLUTCH COMPLETE	O	1	*			
D10		INC. 187			*			
008-1Z	6351500000	CLUTCH CASE (NO PAINT)	S	1	*			
008-2A	140628-3	CLUTCH CASE COMPLETE	O	1				
D10		INC. 187						
008-2Z	6351006000	CLUTCH CASE (NO PAINT)	O	1	*			
D10		INC. 187			*			
008-3Z	6351006001	CASE CLUTCH COMPLETE	O	1	*			
D10		INC. 187			*			
008-4Z	140628-3	CLUTCH CASE COMPLETE	O	1				
D10		INC. 187						
009A	0031532000	OUTER SNAP RING		1	*			
009Z	0031532000	OUTER SNAP RING		1	*			
009-1A	257989-5	RETAINING RING (EXT) S-32	O	1				
010A	6341500500	DAMPER,PIPE		1	*			
010Z	6341500500	DAMPER,PIPE		1	*			
010-1A	424204-4	DAMPER	O	1				
011A	6341500300	CASE,CLUTCH 2		1	*			
011Z	6341500300	CASE,CLUTCH 2		1	*			
011-1A	318453-2	PIPE RETAINER	O	1				

Model No. RBC411 BRUSH CUTTER

Item	Parts No.	Description	I/C	QTY	N/O	Opt. 1	Opt. 2	NOTE
012A	6341500400	BRACKET,PIPE		1	*			
012Z	6341500400	BRACKET,PIPE		1	*			
012-1A	318454-0	PIPE BRACKET	O	1				
013A	0119059460	SOCKET HEAD BOLT M5X8		1	*			
013Z	0119059460	SOCKET HEAD BOLT M5X8		1	*			
013-1A	922201-9	HEX. SOCKET HEAD BOLT M5X8	O	1				
014A	0119069750	SOCKET HEAD BOLT		1	*			
014Z	0119069750	SOCKET HEAD BOLT		1	*			
014-1A	266587-4	HEX.HEAD BOLT M6X22 WITH W	O	1				
015A	0119059950	SOCKET HEAD BOLT M5X18		3	*			
015Z	0119059950	SOCKET HEAD BOLT M5X18		3	*			
015-1A	266844-0	HEX. S.H.BOLT M5X18 WITH W	O	3				
016	0119069750	SOCKET HEAD BOLT		4	*			
016-1	922336-6	HEX. SOCKET HEAD BOLT M6X22	O	4				
017A	6418026000	PROTECTOR ASS'Y		1	*			
D10		INC. 18,19			*			
017Z	6258028002	PROTECTOR ASS'Y		1	*			
D10		INC. 18,19			*			
017-1A	122932-2	PROTECTOR ASSEMBLY	O	1				
D10		INC. 18,19						
017-1Z	6418026000	PROTECTOR ASS'Y	O	1	*			
D10		INC. 18,19			*			
017-2Z	122932-2	PROTECTOR ASSEMBLY	O	1				
D10		INC. 18,19						
018A	0011806160	BOLT M6X30		2	*			
018Z	0100069790	BOLT M6X30		2	*			
018-1A	266641-4	HEX.HEAD BOLT M6X16	O	2				
018-1Z	0011806160	BOLT M6X30	S	2	*			
018-2Z	266641-4	HEX.HEAD BOLT M6X16	O	2				
019A	6418026010	PROTECTOR CLAMP		1	*			
019Z	6418500303	PROTECTOR CLAMP		1	*			
019-1A	346351-0	PROTECTOR CLAMP	O	1				
019-1Z	6418026010	PROTECTOR CLAMP	S	1	*			
019-2Z	346351-0	PROTECTOR CLAMP	O	1				
020A	6259514700	CAUTION LABEL		1	*			
020Z	6259514700	CAUTION LABEL		2	*			
020-1A	808723-2	CAUTION LABEL	O	1				
020-1Z	6259514700	CAUTION LABEL	S	1	*			
020-2Z	808723-2	CAUTION LABEL	O	1				
021	6419514700	LABEL,CATION		1	*			
021-1	819947-5	CAUTION LABEL	O	1				
022A	6411002000	SHAFT PIPE COMPLETE		1	*			
022Z	6411034000	PIPE,SHAFT COMPLETE		1	*			
022-1A	140627-5	SHAFT PIPE COMPLETE	O	1	*			
022-1Z	6411002000	SHAFT PIPE COMPLETE	S	1	*			
022-2A	142750-2	SHAFT PIPE COMPLETE	<	1				
022-2Z	140627-5	SHAFT PIPE COMPLETE	O	1	*			
022-3Z	142750-2	SHAFT PIPE COMPLETE	<	1				

Model No. RBC411 BRUSH CUTTER

Item	Parts No.	Description	I/C	QTY	N/O	Opt. 1	Opt. 2	NOTE
023	6274501101	HANDLE		1	*			
023-1	331910-3	HANDLE 19	O	1				
024A	6344003001	HOLDER,HANDLE ASS'Y		1	*			
D10		INC. 25,26			*			
024Z	6344003000	HOLDER,HANDLE ASS'Y		1	*			
D10		INC. 25,26			*			
024-1A	135464-0	HANDLE HOLDER ASSEMBLY	O	1	*			
D10		INC. 25,26			*			
024-1Z	6344003001	HOLDER,HANDLE ASS'Y	O	1	*			
D10		INC. 25,26			*			
024-2A	6344003001	HOLDER,HANDLE ASS'Y	X	1				
D10		INC. 25,26						
024-2Z	135464-0	HANDLE HOLDER ASSEMBLY	O	1	*			
D10		INC. 25,26			*			
024-3Z	6344003001	HOLDER,HANDLE ASS'Y	X	1				
D10		INC. 25,26						
025	0119059890	SOCKET HEAD BOLT M5X25		4	*			
025-1	266805-0	H.S.H.BOLT M5X25 WITH W	O	4				
026	0119069740	SOCKET HEAD BOLT M6X30		2	*			
026-1	266638-3	HEX.SOCKET HEAD BOLT M6X30	O	2				
027A	6417500200	HANGER		1	*			
D10		INC. 28			*			
027Z	6347001000	HANGER ASS'Y		1	*			
D10		INC. 28			*			
027-1A	346356-0	HANGER	O	1				
D10		INC. 28						
027-1Z	6417500200	HANGER	S	1	*			
D10		INC. 28			*			
027-2Z	346356-0	HANGER	O	1				
D10		INC. 28						
028A	0011806283	BOLT ASS'Y		2	*			
028Z	0119059720	SOCKET HEAD BOLT M5X20		1	*			
028-1A	266639-1	HEX.HEAD BOLT M6X28	O	2				
028-1Z	0011806280	BOLT ASS'Y	S	2				
029	0031510000	OUTER SNAP RING 10		1	*			
029-1	961006-2	RETAINING RING S-10	O	1				
030	0031426000	INNER SNAP RING		1	*			
030-1	257988-7	RETAINING RING (INT) R-26	O	1	*			
030-2	962105-3	RETAINING RING R-26	O	1				
031	0600109940	BALL BEARING 6000ZZ		2	*			
031-1	210120-4	BALL BEARING 6000ZZ	O	2				
032A	6343004001	GEAR CASE ASS'Y		1	*			
D10		INC. 29-31,33,35-43,45			*			
032Z	6343004000	GEAR CASE ASS'Y		1	*			
D10		INC. 29-31,33,35-43,45			*			
032-1A	126272-0	GEAR CASE ASSEMBLY	O	1	*			
D10		INC. 29-31,33,35-43,45			*			
032-1Z	6343004001	GEAR CASE ASS'Y	O	1	*			

Model No. RBC411 BRUSH CUTTER

Item	Parts No.	Description	I/C	QTY	N/O	Opt. 1	Opt. 2	NOTE
D10		INC. 29-31,33,35-43,45			*			
032-2A	125843-0	GEAR CASE ASSEMBLY	O	1				
D10		INC. 29-31,33,35-43,45						
032-2Z	126272-0	GEAR CASE ASSEMBLY	O	1	*			
D10		INC. 29-31,33,35-43,45			*			
032-3Z	125843-0	GEAR CASE ASSEMBLY	O	1				
D10		INC. 29-31,33,35-43,45						
033	6343004160	SOCKET HEAD BOLT M6X30		1	*			
033-1	266579-3	HEX SOCKET HEAD BOLT M6X30	O	1				
034A	0119059780	SOCKET HEAD BOLT M5X12		1	*			
034Z	0043505120	SCREW ASSEMBLY M5X12		2	*			
034-1A	922213-2	H.S.H.BOLT M5X12 WITH WR	O	1				
034-1Z	0043505120	SCREW ASSEMBLY M5X12	S	1				
035A	6343005001	SHAFT,CUTTER SET		1	*			
035Z	6343005000	SHAFT,CUTTER SET		1	*			
035-1A	125844-8	CUTTER SHAFT ASSEMBLY	O	1				
035-1Z	6343005001	SHAFT,CUTTER SET	O	1	*			
035-2Z	125844-8	CUTTER SHAFT ASSEMBLY	O	1				
036	6343004110	BALL BEARING 629		1	*			
036-1	211342-9	BALL BEARING 629	O	1				
037	0043505100	SCREW & WASHER ASS'Y		3	*			
037-1	266646-4	PAN HEAD SCREW M5X10	O	3				
038	6343004040	GUARD		1	*			
038-1	346354-4	GUARD	O	1				
039	6343004050	BOLT		1	*			
039-1	266637-5	HEX. HEAD BOLT M6X8	O	1				
040	0600129950	BALL BEARING #6201DD/#6201 2RU		1	*			
040-1	210121-2	BALL BEARING 6201DDU	O	1				
041	0031432000	INNER SNAP RING		1	*			
041-1	962151-6	RETAINING RING R-32	O	1				
042	6343004020	RECEIVE WASHER		1	*			
042-1	310458-8	RECEIVE WASHER	O	1				
043	6343004010	CLAMP WASHER		1	*			
043-1	346355-2	CLAMP WASHER	O	1				
044A	6413501500	CUP		1	*			
044Z	6343500200	CUP		1	*			
044-1A	346283-1	CUP	O	1	*			
044-1Z	6413501500	CUP	O	1	*			
044-2A	168526-9	CUP	O	1				
044-2Z	346283-1	CUP	O	1	*			
044-3Z	168526-9	CUP	O	1				
045	6343004030	NUT M10		1	*			
045-1	264025-0	HEX. NUT M10-17	O	1				
046	6355003000	CONTROL LEVER ASS'Y		1				
047	0119059980	SOCKET HEAD BOLT M5X30		1	*			
047-1	922252-2	HEX. SOCKET HEAD BOLT M5X30	O	1				
048	6195006060	TAPPING SCREW M4X20		2	*			
048-1	266584-0	TAPPING SCREW 4X20	O	2				

Model No. RBC411 BRUSH CUTTER

Item	Parts No.	Description	I/C	QTY	N/O	Opt. 1	Opt. 2	NOTE
049	6355004010	WIRE SET		1	*			
D10		INC. 50			*			
049-1	125841-4	WIRE ASSY	O	1				
D10		INC. 50						
050	6355004020	CONTROL CABLE		1	*			
050-1	168621-5	CONTROL CABLE	O	1				
051	6215022030	LEVER		1	*			
051-1	452277-7	LONG LEVER	O	1				
052	6195006050	SPRING		1	*			
052-1	233568-3	TORSION SPRING	O	1				
053	6195013010	LEVER		1	*			
053-1	452278-5	STOP LEVER	O	1				
054	6195006150	TOP		1	*			
054-1	451936-0	TOP	O	1				
055	6215022040	NUT M5		1	*			
055-1	264049-6	U NUT M5	O	1				
056	0130059980	BOLT ASS'Y M5X14		2	*			
056-1	266595-5	HEX. HEAD BOLT M5X14	O	2				
057Z	0230059990	SPACER		2	*			
057-1Z	346438-8	SPACER	O	2				
058A	5416061000	FUEL TANK BRACKET ASS'Y		1	*			
058Z	5416057000	FUEL TANK BRACKET ASS'Y		1	*			
D10		INC. 57			*			
058-1A	168586-1	FUEL TANK BRACKET ASSEMBLY	O	1	*			
058-1Z	168586-1	FUEL TANK BRACKET ASSEMBLY	O	1	*			
D10		INC. 57			*			
058-2	455434-6	FUEL TANK BRACKET	S	1				
D10		INC. 57						
059A	5416505700	DAMPER		1	*			
059Z	5416501100	DAMPER		1	*			
059-1A	424335-9	BRACKET DAMPER	O	1	*			
059-1Z	5416505700	DAMPER	O	1	*			
059-2A	424660-8	BRACKET DAMPER	S	1				
059-2Z	424335-9	BRACKET DAMPER	O	1	*			
059-3Z	424660-8	BRACKET DAMPER	S	1				
060A	5418001000	CLUTCH ASSY		1	*			
C10	5418002010	CLUTCH SHOE		2	*			
C20	5418002020	CLUTCH SPRING		2	*			
C30	5418500500	CLUTCH BOLT		2	*			
C40	0200109870	WAVE WASHER		2	*			
C41	267832-0	WAVE WASHER 10	O	2	*			
C50	0200089781	WASHER		2	*			
C51	267428-7	FLAT WASHER 8	O	2	*			
C60	5418500601	HOLDER		1	*			
060Z	6412001001	CLUTCH		1	*			
D10		INC. 61-65			*			
060-1A	125829-4	CLUTCH ASSEMBLY	O	1	*			
C10	5418002010	CLUTCH SHOE		2	*			

Model No. RBC411 BRUSH CUTTER

Item	Parts No.	Description	I/C	QTY	N/O	Opt. 1	Opt. 2	NOTE
C11	168622-3	CLUTCH SHOE	O	2	*			
C20	5418002020	CLUTCH SPRING		2	*			
C21	231869-3	SPRING	O	2	*			
C30	5418500500	CLUTCH BOLT		2	*			
C31	266597-1	SHOULDER HEX. BOLT M8	O	2	*			
C41	267832-0	WAVE WASHER 10	O	2	*			
C42	267849-3	WAVE WASHER 10	O	2	*			
C51	267428-7	FLAT WASHER 8	O	2	*			
C60	5418500601	HOLDER		1	*			
C61	313197-9	HOLDER	O	1	*			
060-1Z	5418001000	CLUTCH ASSY	S	1	*			
C10	5418002010	CLUTCH SHOE		2	*			
C20	5418002020	CLUTCH SPRING		2	*			
C30	5418500500	CLUTCH BOLT		2	*			
C40	0200109870	WAVE WASHER		2	*			
C41	267832-0	WAVE WASHER 10	O	2	*			
C50	0200089781	WASHER		2	*			
C51	267428-7	FLAT WASHER 8	O	2	*			
C60	5418500601	HOLDER		1	*			
060-2A	125829-4	CLUTCH ASSEMBLY	O	1				
C11	168622-3	CLUTCH SHOE	O	2				
C21	231869-3	SPRING	O	2				
C31	266894-5	SHOULDER HEX. BOLT M8	O	2				
C42	267849-3	WAVE WASHER 10	O	2				
C51	267428-7	FLAT WASHER 8	O	2				
C61	313197-9	HOLDER	O	1				
060-2Z	125829-4	CLUTCH ASSEMBLY	O	1	*			
C10	5418002010	CLUTCH SHOE		2	*			
C11	168622-3	CLUTCH SHOE	O	2	*			
C20	5418002020	CLUTCH SPRING		2	*			
C21	231869-3	SPRING	O	2	*			
C30	5418500500	CLUTCH BOLT		2	*			
C31	266597-1	SHOULDER HEX. BOLT M8	O	2	*			
C41	267832-0	WAVE WASHER 10	O	2	*			
C42	267849-3	WAVE WASHER 10	O	2	*			
C51	267428-7	FLAT WASHER 8	O	2	*			
C60	5418500601	HOLDER		1	*			
C61	313197-9	HOLDER	O	1	*			
060-3Z	125829-4	CLUTCH ASSEMBLY	O	1				
C11	168622-3	CLUTCH SHOE	O	2				
C21	231869-3	SPRING	O	2				
C31	266894-5	SHOULDER HEX. BOLT M8	O	2				
C42	267849-3	WAVE WASHER 10	O	2				
C51	267428-7	FLAT WASHER 8	O	2				
C61	313197-9	HOLDER	O	1				
061A	6412500000	HOLDER		1	*			
061Z	6412500000	HOLDER		1	*			
062A	6412500601	CLUTCH SHOE		3	*			

Model No. RBC411 BRUSH CUTTER

Item	Parts No.	Description	I/C	QTY	N/O	Opt. 1	Opt. 2	NOTE
062Z	6412500600	CLUTCH SHOE		3	*			
062-1Z	6412500601	CLUTCH SHOE	O	3	*			
063A	0200089911	WASHER M8		3	*			
063Z	0200089911	WASHER M8		3	*			
064A	6402500200	BOLT,CLUTCH		3	*			
064Z	6402500200	BOLT,CLUTCH		3	*			
065A	6112500000	SPRING		3	*			
065Z	6112500000	SPRING		3	*			
066	6202500600	WASHER		1	*			
066-1	267429-5	FLAT WASHER 6	O	1				
067	0032006000	SPRING WASHER		1	*			
067-1	942151-2	SPRING WASHER 6	O	1				
068	6202500400	BOLT		1	*			
068-1	266746-0	HEX. HEAD BOLT M6X14	O	1				
069	5411005001	CRANK CASE ASS'Y		1				
D10		INC. 70-75						
070	0440159971	OIL SEAL		1	*			
070-1	213546-9	OIL SEAL 15	O	1				
071	0119059940	HEX. SOCKET HEAD BOLT M5X30		4	*			
071-1	922251-4	HEX. SOCKET HEAD BOLT M5X30	O	4				
072	5411501200	CRANKCASE GASKET		1	*			
072-1	442157-5	CRANKCASE GASKET	O	1				
073	0600159880	BALL BEARING 6202C3		1	*			
073-1	210202-2	BALL BEARING 6202	O	1	*			
073-2	211483-1	BALL BEARING 6202	O	1				
074	0600159880	BALL BEARING 6202C3		1	*			
074-1	210202-2	BALL BEARING 6202	O	1	*			
074-2	211483-1	BALL BEARING 6202	O	1				
075	0440159971	OIL SEAL		1	*			
075-1	213546-9	OIL SEAL 15	O	1				
076	5413502800	BRACKET GASKET		1	*			
076-1	442160-6	LEAD VALVE GASKET	O	1				
077	5413007000	VALVE REED ASS'Y		1	*			
077-1	125796-3	LEAD VALVE ASSEMBLY	O	1				
078	5413501200	INSULATOR GASKET		1	*			
078-1	442158-3	INSULATOR GASKET	O	1				
079A	5413070000	INSULATOR ASSY		1	*			
079Z	5413501100	INSULATOR		1	*			
079-1A	451999-6	INSULATOR ASSEMBLY	<	1				
079-1Z	451999-6	INSULATOR ASSEMBLY	O	1				
080	5416501300	CARBURETOR GASKET		1	*			
080-1	442159-1	CARBURETOR GASKET	O	1				
081A	0119059631	SOCKET HAEAD BOLT M5X20		4	*			
081Z	0119059630	SOCKET HEAD BOLT M5X20		4	*			
081-1A	266590-5	HEX.S.HEAD BOLT M5X20 WITH WR	O	4	*			
081-1Z	266903-0	HEX.S.HEAD BOLT M5X20 WITH WR	<	4				
081-2A	266903-0	HEX.S.HEAD BOLT M5X20 WITH WR	<	4				
082	0119059790	SOCKET HEAD BOLT		2	*			

Model No. RBC411 BRUSH CUTTER

Item	Parts No.	Description	I/C	QTY	N/O	Opt. 1	Opt. 2	NOTE
082-1	922236-0	HEX. SOCKET HEAD BOLT M5X22	O	2				
083A	5417041020	IGNITION COIL		1	*			
D10		INC. 188			*			
083Z	5417023020	IGNITION COIL		1	*			
083-1A	168587-9	IGNITION COIL	O	1				
D10		INC. 188						
083-1Z	5417041020	IGNITION COIL	S	1	*			
D10		INC. 188			*			
083-2Z	168587-9	IGNITION COIL	O	1				
D10		INC. 188						
084	5417500300	TUBE		1	*			
084-1	422059-1	TUBE	O	1				
085	0130069970	BOLT ASS'Y		1	*			
085-1	266596-3	HEX. HEAD BOLT M6X16 WITH W	O	1				
086	5412001000	CRANK SHAFT COMPLETE		1	*			
086-1	125795-5	CRANKSHAFT ASSEMBLY	O	1	*			
086-2	142159-8	CRANKSHAFT COMPLETE	O	1				
087	0200069920	WASHER M6		1	*			
087-1	267427-9	FLAT WASHER 7	O	1				
088A	5417041010	FLYWHEEL ASS'Y		1	*			
088Z	5417023010	FLYWHEEL		1	*			
088-1A	318632-2	FLYWHEEL	O	1				
088-1Z	5417041010	FLYWHEEL ASS'Y	S	1	*			
088-2Z	318632-2	FLYWHEEL	O	1				
089	6305500500	STAND		1	*			
089-1	346286-5	STAND	O	1				
090	0119069900	SOCKET HEAD BOLT		2	*			
090-1	922316-2	HEX. SOCKET HEAD BOLT M6X14	O	2				
091	0323039990	WOODRUFF KEY		1	*			
091-1	254040-2	WOODRUFF KEY 3	O	1				
092	5412501300	NEEDLE ROLLER BEARING		1	*			
092-1	212085-6	NEEDLE CAGE1014	O	1				
093	0565099990	CLIP		1	*			
093-1	233983-1	CLIP	O	1				
094	5412505200	PISTON PIN		1	*			
094-1	257797-4	PISTON PIN	O	1				
095A	5412505301	PISTON		1	*			
095Z	5412505300	PISTON		1	*			
095-1A	318631-4	PISTON	O	1				
095-1Z	5412505301	PISTON	O	1	*			
095-2Z	5412505301	PISTON	O	1	*			
095-3Z	318631-4	PISTON	O	1				
096	0565099990	CLIP		1	*			
096-1	233983-1	CLIP	O	1				
097	5402500600	PISTON RING		2	*			
097-1	257309-3	PISTON RING	O	2				
098	0654009931	PLUG CAP SPRING		1	*			
098-1	324891-8	PLUG CAP SPRING	O	1				

Model No. RBC411 BRUSH CUTTER

Item	Parts No.	Description	I/C	QTY	N/O	Opt. 1	Opt. 2	NOTE
099	0119069990	HEX. SOCKET HEAD BOLT M6X18		4				
100A	0655009870	PLUG CAP		1	*			
100Z	0655009940	PLUG CAP		1				
100-1A	424337-5	PLUG CAP	O	1				
101	0650149710	SPARK PLUG		1	*			
101-1	168588-7	SPARK PLUG	O	1				
102A	5415507500	CYLINDER COVER		1	*			
102Z	5415506000	CYLINDER COVER		1				
102-1A	452003-4	CYLINDER COVER	O	1				
103A	0140059360	SCREW & WASHER ASS'Y		1	*			
103Z	0140059560	SCREW ASSEMBLY		1	*			
103-1A	266788-4	PAN HEAD SCREW M5X20 WITH WR	O	1	*			
103-1Z	0140059330	SCREW M5X20(W,SW)	<	1	*			
103-2A	0140059330	SCREW M5X20(W,SW)	<	1	*			
103-2Z	265A08-9	PAN HEAD SCREW M5X20	O	1				
103-3A	265A08-9	PAN HEAD SCREW M5X20	O	1				
104A	0140059480	SCREW ASS'Y M5X14		1	*			
104Z	0140059480	SCREW ASS'Y M5X14		1	*			
104-1A	266809-2	P.H.SCREW M5X14 WITH WR	O	1	*			
104-1Z	0119059780	SOCKET HEAD BOLT M5X12	O	1	*			
104-2A	266677-3	PAN HEAD SCREW M5X14	<	1				
104-2Z	922213-2	H.S.H.BOLT M5X12 WITH WR	O	1	*			
104-3Z	266677-3	PAN HEAD SCREW M5X14	<	1				
105	5411500300	CYLINDER		1	*			
105-1	318630-6	CYLINDER	O	1				
106	5411500501	CYLINDER GASKET		1	*			
106-1	442156-7	CYLINDER GASKET	O	1				
107A	5323500600	MUFFLER GASKET		1	*			
107Z	5323500200	MUFFLER GASKET		1	*			
107-1A	168584-5	MUFFLER GASKET	O	1				
107-1Z	5323500600	MUFFLER GASKET	O	1	*			
107-2Z	168584-5	MUFFLER GASKET	O	1				
108A	5413068000	MUFFLER		1	*			
108Z	5323008000	MUFFLER		1	*			
108-1A	168589-5	EXHAUST MUFFLER	O	1				
108-1Z	5413068000	MUFFLER	O	1	*			
108-2Z	168589-5	EXHAUST MUFFLER	O	1				
109	0119069780	HEX. SOCKET HEAD BOLT M6X60		2	*			
109-1	266589-0	HEX. SOCKET HEAD BOLT M6X60	O	2				
110	0140059480	SCREW ASS'Y M5X14		3	*			
110-1	266809-2	P.H.SCREW M5X14 WITH WR	O	3	*			
110-2	266677-3	PAN HEAD SCREW M5X14	<	3				
111A	5413509300	MUFFLER COVER		1	*			
111Z	5413507500	MUFFLER COVER		1				
111-1A	451998-8	MUFFLER COVER	O	1				
112A	5415060040	SET SCREW		1	*			
112Z	5245001010	BIND SCREW		1	*			
112-1A	266634-1	SET SCREW M6X20	O	1	*			

Model No. RBC411 BRUSH CUTTER

Item	Parts No.	Description	I/C	QTY	N/O	Opt. 1	Opt. 2	NOTE
112-1Z	5415060040	SET SCREW	S	1	*			
112-2A	266634-1	SET SCREW M6X20	O	1				
112-2Z	266634-1	SET SCREW M6X20	O	1				
113A	5415001060	WASHER		1	*			
113Z	5415001060	WASHER		1	*			
113-1A	267443-1	WASHER 5	O	1				
114A	5415001050	FRICTION SPRING		1	*			
114Z	5415001050	FRICTION SPRING		1	*			
114-1A	233994-6	FRICTION SPRING	O	1				
115A	5415001040	RATCHET GUIDE		1	*			
115Z	5415001040	RATCHET GUIDE		1	*			
115-1A	452768-8	RATCHET GUIDE	O	1				
116A	5415001220	THRUST WASHER		1	*			
116Z	5415001220	THRUST WASHER		1	*			
116-1A	267444-9	THRUST WASHER 10	O	1				
117A	5415001020	RATCHET		1	*			
117Z	5415001020	RATCHET		1	*			
117-1A	452767-0	RATCHET	O	1				
118A	5305002060	STARTER ROPE		1	*			
118Z	5415001140	STARTER ROPE		1	*			
118-1A	444027-4	STARTER ROPE	O	1	*			
118-1Z	5305002060	STARTER ROPE	S	1	*			
118-2A	SG00000019	STARTER ROPE	X	1				
118-2Z	444027-4	STARTER ROPE	O	1				
119A	5415060020	REEL		1	*			
119Z	5415001010	REEL		1	*			
119-1A	453466-7	REEL	O	1	*			
119-1Z	5415060020	REEL	S	1	*			
119-2A	452288-2	REEL	X	1				
119-2Z	453466-7	REEL	O	1				
120A	5255040030	SPIRAL SPRING		1	*			
120Z	5415001030	SPIRAL SPRING		1	*			
120-1A	232262-4	SPIRAL SPRING	O	1	*			
120-1Z	5255040030	SPIRAL SPRING	S	1	*			
120-2A	SG00000018	SPIRAL SPRING	X	1				
120-2Z	232262-4	SPIRAL SPRING	O	1				
121A	5415060000	STARTER,REWIND		1	*			
D10		INC. 112,118-120,125,189			*			
121Z	5415053000	STARTER,REWIND		1	*			
D10		INC. 112-120,125			*			
121-1A	126108-3	RECOIL STARTER ASSEMBLY	O	1	*			
D10		INC. 112,118-120,125,189			*			
121-1Z	5415060000	STARTER,REWIND	S	1	*			
D10		INC. 112,118-120,125,189			*			
121-2A	126364-5	RECOIL STARTER ASSEMBLY	O	1				
D10		INC. 112,118-120,125,189						
121-2Z	126108-3	RECOIL STARTER ASSEMBLY	O	1				
D10		INC. 112,118-120,125,189						

Model No. RBC411 BRUSH CUTTER

Item	Parts No.	Description	I/C	QTY	N/O	Opt. 1	Opt. 2	NOTE
122	0119059790	SOCKET HEAD BOLT		2	*			
122-1	922236-0	HEX. SOCKET HEAD BOLT M5X22	O	2				
123A	6419519100	MODEL LABEL		1	*			
123Z	6419514800	MODEL LABEL		1	*			
123-1A	816524-4	RBC411 MODEL NO. LABEL	O	1				
123-1Z	6419519100	MODEL LABEL	S	1	*			
123-2Z	816524-4	RBC411 MODEL NO. LABEL	O	1				
124A	0736389930	OPERATION LABEL		1				
124Z	0736389930	OPERATION LABEL		1	*			
125A	5315001020	STARTER KNOB		1	*			
125Z	5305002110	STARTER KNOB		1	*			
125-1A	424361-8	STARTER KNOB	O	1	*			
125-1Z	5315001020	STARTER KNOB	S	1	*			
125-2A	424361-8	STARTER KNOB	O	1				
125-2Z	424361-8	STARTER KNOB	O	1				
126A	0119059661	SOCKET HEAD BOLT M5X20		1	*			
126Z	0119059660	SOCKET HEAD BOLT M5X50		1				
126-1A	266592-1	HEX. SOCKET HEAD BOLT M5X50	O	1				
127	0031005000	WASHER M5		1	*			
127-1	267446-5	WASHER 5	O	1				
128A	5416505600	FUEL TANK DAMPER		1	*			
128Z	5416501900	DAMPER		1				
128-1A	424336-7	FUEL TANK DAMPER	O	1				
129	5416500200	TUBE		1	*			
129-1	422060-6	FUEL TUBE	O	1				
130	0561139982	HOSE CLAMP		1	*			
130-1	346285-7	HOSE CLAMP	O	1				
131	5416504401	FUEL TANK		1	*			
131-1	452004-2	FUEL TANK	O	1				
132	5516500501	GASKET		1	*			
132-1	423412-4	GASKET	O	1				
133	0641279990	FILTER		1	*			
133-1	168585-3	FUEL FILTER	O	1				
134	5106013001	FUEL TANK CAP ASS'Y		1	*			
134-1	125799-7	FUEL TANK CAP ASSEMBLY	O	1				
135	5416019001	CARBURETOR		1	*			
D10		INC. 136-165			*			
135-1	168590-0	CARBURETOR	O	1				
D10		INC. 136-165						
136	5416001010	CAP		1	*			
136-1	286290-1	CAP	O	1				
137	5306009310	ADJUSTER CABLE		1	*			
137-1	325997-5	ADJUSTER CABLE	O	1				
138	5306009460	NUT		1	*			
138-1	264045-4	NUT	O	1				
139	5416001030	CABLE GUIDE		1	*			
139-1	331923-4	CABLE GUIDE	O	1				
140	5306009250	CAP		1	*			

Item	Parts No.	Description	I/C	QTY	N/O	Opt. 1	Opt. 2	NOTE
140-1	286291-9	CAP	O	1				
141	5306009260	MIXING CAP		1	*			
141-1	286035-7	MIXING CAP	O	1				
142	5306009240	SPRING		1	*			
142-1	234199-1	SPRING	O	1				
143	5306009120	SPRING PLATE		1	*			
143-1	346348-9	SPRING PLATE	O	1				
144	5416001040	PACKING		2	*			
144-1	452279-3	PACKING	O	2				
145	5306009450	E-RING		1	*			
145-1	259049-9	E-RING	O	1				
146	5416019010	JET NEEDLE		1	*			
146-1	325998-3	JET NEEDLE	O	1				
147	5416008021	PISTON VALVE		1	*			
147-1	318666-5	PISTON VALVE	O	1				
148	5416001060	ADJUST SCREW		1	*			
148-1	266632-5	ADJUST SCREW	O	1				
149	5416001110	SPRING		1	*			
149-1	234198-3	SPRING	O	1				
150	5306018020	MAIN JET		1	*			
150-1	325999-1	MAIN JET	O	1				
151	5306009020	FLOAT		1	*			
151-1	452280-8	FLOAT	O	1				
152	5306009220	GASKET		1	*			
152-1	442162-2	GASKET	O	1				
153	5306008010	FLOAT BODY		1	*			
153-1	318667-3	FLOAT BODY	O	1				
154	5306002410	O RING		1	*			
154-1	213590-6	O RING	O	1				
155	5306002240	SCREW		1	*			
155-1	265793-8	WING BOLT M5X5	O	1				
156	5306009510	PAN HEAD SCREW		2	*			
156-1	266633-3	PAN HEAD SCREW M4X16	O	2				
157	5416016030	PLATE		1	*			
157-1	346349-7	PLATE	O	1				
158	5306009160	STRAIGHT PIN		1	*			
158-1	268270-9	STRAIGHT PIN	O	1				
159	5306009230	FLOAT ARM		1	*			
159-1	346350-2	FLOAT ARM	O	1				
160	5306009150	NEEDLE ASS'Y		1	*			
160-1	163519-1	NEEDLE	O	1				
161	5416016040	HOSE		1	*			
161-1	422069-8	HOSE	O	1				
162	8046001530	PAN HEAD SCREW		2	*			
162-1	266619-7	PAN HEAD SCREW	O	2				
163	5416001020	COCK BODY ASS'Y		1	*			
163-1	140633-0	COCK BODY COMPLETE	O	1				
164	5306009210	GASKET		1	*			

Model No. RBC411 BRUSH CUTTER

Item	Parts No.	Description	I/C	QTY	N/O	Opt. 1	Opt. 2	NOTE
164-1	442163-0	GASKET	O	1				
165	5416001130	FILTER		1	*			
165-1	352011-4	FILTER	O	1				
166A	5413509200	AIR CLEANER PLATE		1	*			
166Z	5413507300	PLATE,AIR CLEANER		1				
166-1A	452000-0	AIR CLEANER PLATE	O	1				
167Z	0230059990	SPACER		2	*			
167-1Z	346438-8	SPACER	O	2				
168A	0140059630	SCREW M5X14		2	*			
168Z	0043405140	PAN HEAD SCREW M5X14		2	*			
168-1A	266591-3	PAN HEAD SCREW M5X14	O	2				
168-1Z	266591-3	PAN HEAD SCREW M5X14	O	2				
169	5413500600	ELEMENT		1	*			
169-1	443161-7	ELEMENT	O	1				
170A	0140059360	SCREW & WASHER ASS'Y		1	*			
170Z	0043605200	SCREW & WASHER ASS'Y		1				
170-1A	266788-4	PAN HEAD SCREW M5X20 WITH WR	O	1				
171A	5413508900	AIR CLEANER COVER		1	*			
171Z	5413507400	COVER,AIR CLEANER		1				
171-1A	452001-8	AIR CLEANER COVER	O	1				
172	5413507700	ELEMENT,AIR CLEANER		1	*			
172-1	443162-5	AIR CLEANER ELEMENT	O	1				
173	0043605580	PAN HEAD SCREW M5X58		2	*			
173-1	266594-7	PAN HEAD SCREW M5X58 WITH WR	O	2				
174A	6301501600	WASHER		1	*			
174Z	6301501600	WASHER		1	*			
174-1	267445-7	WASHER 24.5	O	1				
175A	6301501500	OUTER SNAPRING		1	*			
175Z	6301501500	OUTER SNAPRING		1	*			
175-1	257974-8	RETAINING RING (EXT)28	O	1				
176A	6411008000	DAMPER		1	*			
176Z	6411008000	DAMPER		1	*			
176-1	424403-8	DAMPER	O	1				
177A	6342002000	CLUTCH DRUM COMPLETE		1	*			
177Z	6412006001	CLUTCH DRUM COMPLETE		1	*			
177-1A	140846-3	CLUTCH DRUM COMPLETE	O	1				
177-1Z	140893-4	CLUTCH DRUM COMPLETE	O	1				
178A	6411502200	STOPPER		1	*			
178Z	6411502200	STOPPER		1	*			
178-1	452287-4	STOPPER	O	1				
179A	6301001000	STOPPER COMPLETE		1	*			
179Z	6301001000	STOPPER COMPLETE		1	*			
179-1	140629-1	STOPPER COMPLETE	O	1				
180A	6202500400	BOLT		1	*			
180Z	6202500400	BOLT		1	*			
180-1	266746-0	HEX. HEAD BOLT M6X14	O	1				
181A	6202500600	WASHER		1	*			
181Z	6202500600	WASHER		1	*			

Model No. RBC411 BRUSH CUTTER

Item	Parts No.	Description	I/C	QTY	N/O	Opt. 1	Opt. 2	NOTE
181-1	267429-5	FLAT WASHER 6	O	1				
182A	0021806003	NUT M6		2	*			
182Z	0021806000	NUT M6		2				
182-1A	264048-8	HEX.NUT M6	O	2				
183A	0022706003	NUT M6		1	*			
183Z	0022706000	NUT M6		1				
183-1A	931302-2	HEX. NUT M6	O	1				
184A	0043406353	SCREW ASSY		1	*			
184Z	0043406350	SCREW		1	*			
184-1A	266636-7	PAN HEAD SCREW M6X35	O	1				
184-1Z	266667-6	PAN HEAD SCREW M6X35	O	1				
185Z	6985502200	WIRE CLIP		1	*			
185-1Z	452193-3	CLAMP	O	1				
186Z	6341501100	FELT		1	*			
186-1Z	443146-3	FELT RING 8	O	1				
187A	6351501000	SPACER		1	*			
187Z	6351501000	SPACER		1	*			
187-1	257289-3	SPACER	O	1				
188A	5417023030	WIRE COMPLETE		1	*			
188Z	5417023030	WIRE COMPLETE		1	*			
188-1	140885-3	WIRE COMPLETE	O	1				
189A	5315001030	STOPPER		1	*			
189Z	5315001030	STOPPER		1	*			
189-1A	424360-0	ROPE STOPPER	O	1	*			
189-1Z	424360-0	ROPE STOPPER	O	1				
189-2A	424360-0	ROPE STOPPER	O	1				
190A	5415507200	HOUSING,BLOWER		1	*			
190Z	5415507200	HOUSING,BLOWER		1	*			
190-1	452002-6	BLOWER HOUSING	O	1				
191A	0140059480	SCREW ASS'Y M5X14		4	*			
191Z	0140059480	SCREW ASS'Y M5X14		4	*			
191-1	266809-2	P.H.SCREW M5X14 WITH WR	O	4				
197A	814L23-2	SERIAL NO. LABEL		1	*			
197-1A	814E64-6	SERIAL NO. LABEL	<	1				
A01	6417015003	BAND ASSY		1	*			
C10	6417014150	HOOK		1	*			
C11	326000-5	HOOK	O	1	*			
A01-1	125802-4	BAND ASSEMBLY	O	1				
C11	326000-5	HOOK	O	1	*			
C12	165692-3	HOOK	O	1				
A02A	6357500000	CUSHION		1	*			
A02Z	6277500200	CUSHION		1	*			
A02-1A	168613-4	CUSHION	O	1				
A02-1Z	6357500000	CUSHION	S	1	*			
A02-2Z	168613-4	CUSHION	O	1				
A03	6419038001	TOOL KIT		1	*			
D10		INC. A04,A05			*			
A03-1	195162-8	ACCESSORY SET	O	1				

