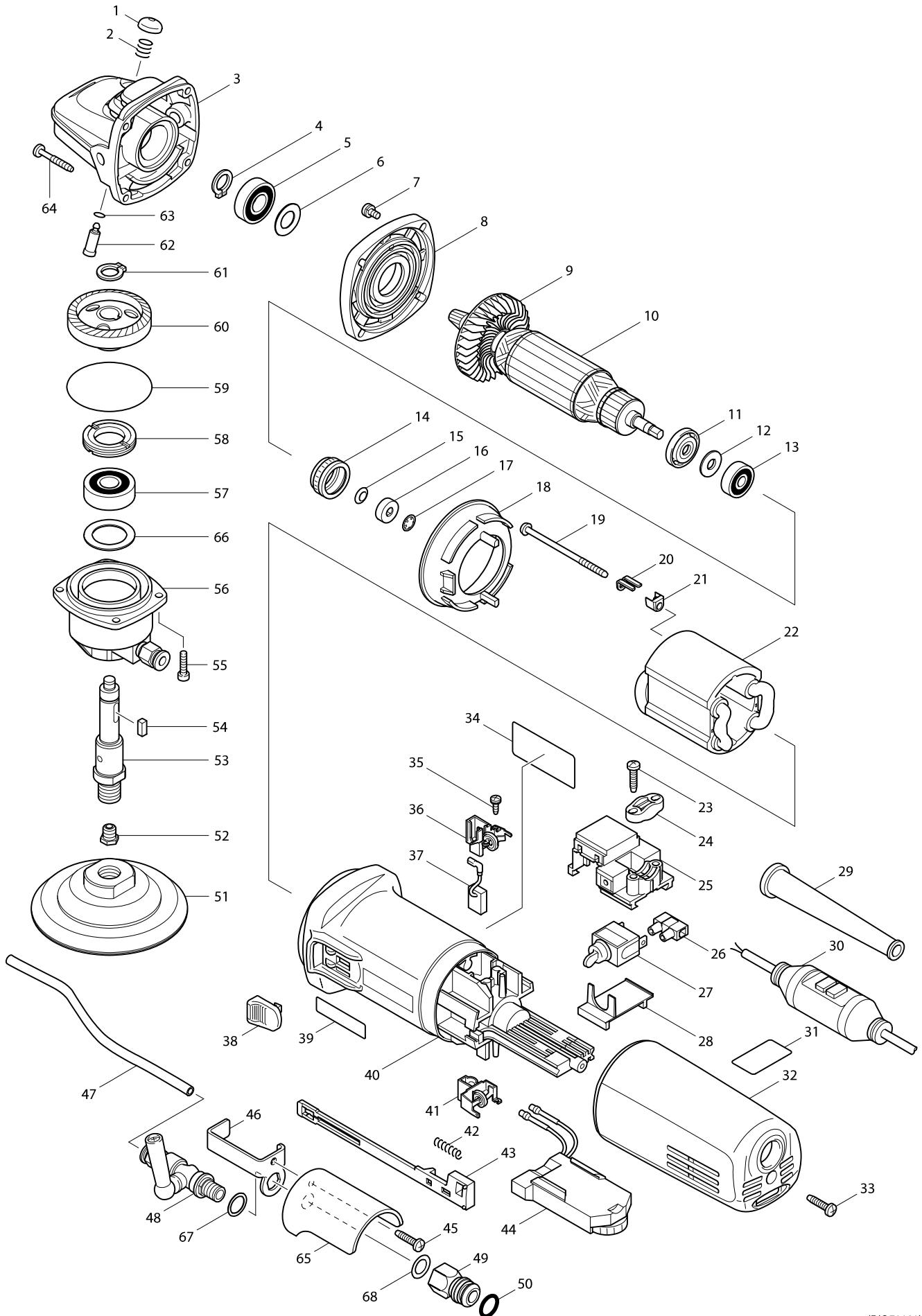


Model No. PW5001C STONE POLISHER 125MM



(E/C 70120)

Model No. PW5001C STONE POLISHER 125MM

Item	Parts No.	Description	I/C	QTY	N/O	Opt. 1	Opt. 2	NOTE
001-1	418067-8	PIN CAP		1				
002	233072-2	COMPRESSION SPRING 8		1				
003-1	153488-4	GEAR HOUSING COMPLETE		1				
004	961052-5	RETAINING RING S-12		1				
005-1	210105-0	BALL BEARING 6001LLU		1				
006	253084-9	FLAT WASHER 12		1				
007	652014-1	PAN HEAD SCREW M4X8		1				
008	317736-7	GEAR HOUSING COVER		1				
009	240033-5	FAN 57		1				
010	515268-0	ARMATURE ASS'Y 220V		1				
D10		INC. 9,11,12,13						
011	681656-4	INSULATION WASHER		1				
012	253823-7	FLAT WASHER 7		1				
013	210027-4	BALL BEARING 627DDW		1				
014	421738-8	LABYRINTH RUBBER RING 22		1				
015	267756-0	WAVE WASHER 6		1				
016	688117-5	MAGNET SLEEVE		1				
017	259039-2	SELF LOCK 6		1				
018	418452-5	BAFFLE PLATE		1				
019	266258-3	TAPPING SCREW 4X70		2				
020	344871-8	RETAINER		2				
021	417237-6	INSULATION COVER		2				
022	626548-0	FIELD 220V		1				
023	265995-6	TAPPING SCREW 4X18		2				
024	687053-2	STRAIN RELIEF		1				
025	632999-7	SWITCH BLOCK		1				
026	654532-5	TERMINAL BLOCK 1P		1				
027	651418-4	SWITCH ST115A-40		1				
028	687113-0	COVER		1				
029	682566-8	CORD GUARD 10		1				
030-1	699039-4	POWER SUPPLY CORD UNIT		1				
031	816399-1	INDICATION LABEL		1				
032	418453-3	REAR COVER		1				
033	265995-6	TAPPING SCREW 4X18		1				
034	860103-0	NAME PLATE PW5001C		1				
035	266256-7	TAPPING SCREW PT3X10		4				
036	643765-7	BRUSH HOLDER		1				
037-1	194999-0	A.C. CARBON BRUSH CB-318		1				
038	417813-6	SWITCH KNOB		1				
040-1	418512-3	MOTOR HOUSING		1				
041	643765-7	BRUSH HOLDER		1				
042	233071-4	COMPRESSION SPRING 4		1				
043	417186-7	SWITCH LEVER		1				
044	631636-0	CONTROLLER		1				
045	265995-6	TAPPING SCREW 4X18		1				
046	345372-9	PLATE		1				
047	245031-4	HOSE		1				
048-1	154649-9	COCK COMPLETE		1				

Model No. PW5001C STONE POLISHER 125MM

Item	Parts No.	Description	I/C	QTY	N/O	Opt. 1	Opt. 2	NOTE
C10	243098-6	JOINT		1				
049	331669-2	HOSE JOINT		1				
050	213107-5	O RING 12		1				
051	743086-8	PAD 100		1				
052-1	325967-4	NOZZLE		1				
053	325810-7	SPINDLE		1				
054	254202-2	KEY 4		1				
055	265490-6	HEX. SOCKET HEAD BOLT M4X16		4				
056	153717-5	BEARING BOX COMPLETE		1				
C10	213280-1	OIL SEAL 17		2				
C20	243098-6	JOINT		1				
057	211129-9	BALL BEARING 6201DDW		1				
058	285841-7	BEARING RETAINER		1				
059	213673-2	O RING 52		1				
060	227455-6	SPIRAL BEVEL GEAR 38		1				
061	961052-5	RETAINING RING S-12		1				
062	256459-1	PIN		1				
063	213048-5	O RING 6		1				
064	266257-5	TAPPING SCREW 4X28		4				
066	267126-3	FLAT WASHER 22		1				
067	261128-1	RUBBER WASHER 12		1				
068-1	261127-3	TEFLON WASHER 10		1				
A01	152490-4	GRIP 36 COMPLETE		1				
A02	265083-9	+ FLAT HEAD SCREW M8X11		2				
A03	417322-5	HEAD COVER		1				
A04	781008-0	WRENCH 17		1				
E01	154662-7	DUST COVER COMPLETE		1				
C10	443121-9	DUST COLLECT BRUSH		1				
E02	345587-8	BAND A		1				
E03	345588-6	BAND B		1				
E04	251391-4	PAN HEAD SCREW M5X16		2				