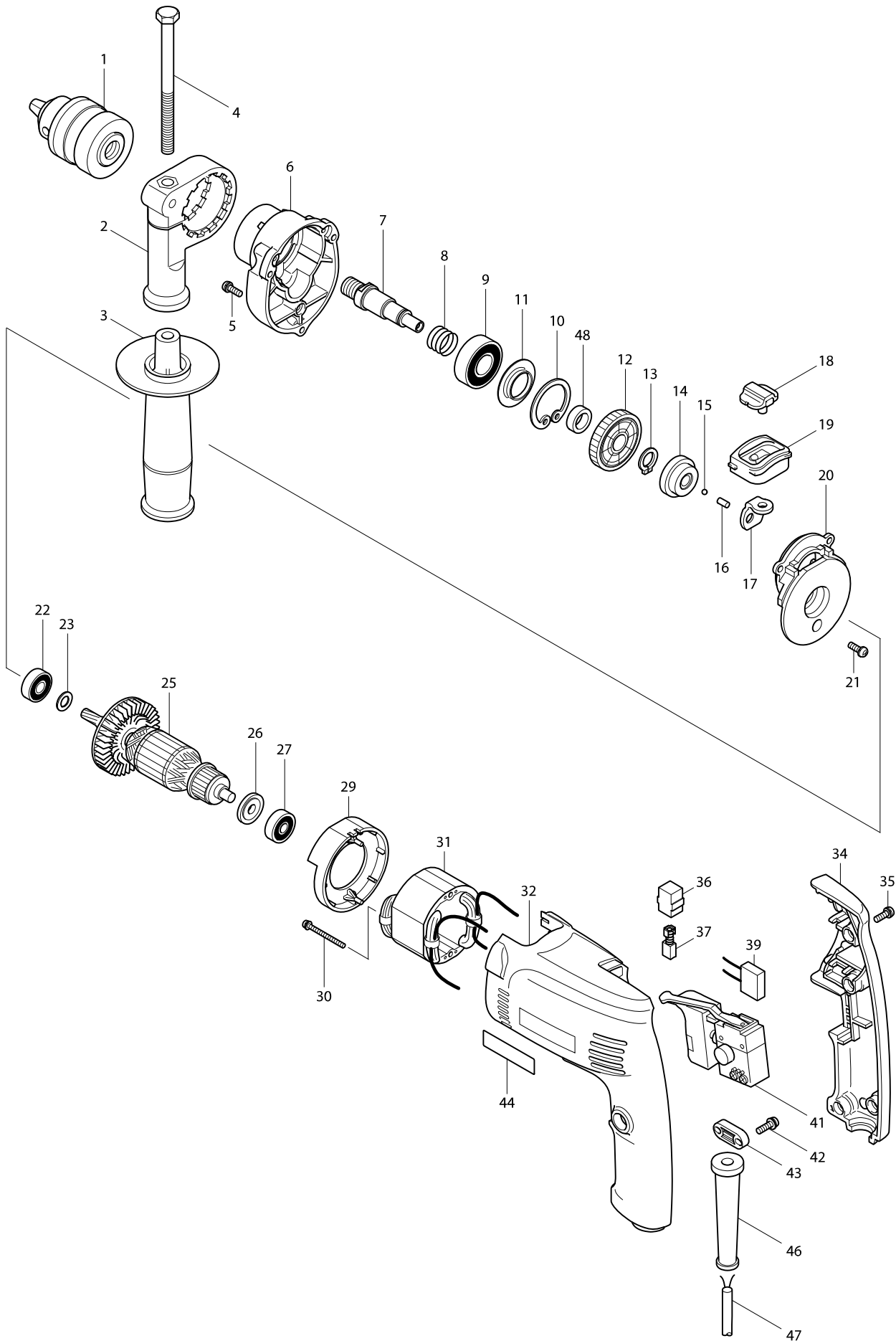


Model No. M814 HAMMER DRILL 13MM



Model No. M814 HAMMER DRILL 13MM

Item	Parts No.	Description	I/C	QTY	N/O	Opt. 1	Opt. 2	NOTE
001	763161-4	DRILL CHUCK S13		1				
002	417822-5	GRIP BASE		1				
003	153503-4	GRIP 36 COMPLETE		1				
004	265495-6	HEX. BOLT M8X110		1				
005	265099-4	PAN HEAD SCREW M4X14		3				
006	417818-6	GEAR HOUSING		1				
007	324223-9	SPINDLE		1				
008	233330-6	COMPRESSION SPRING 16		1				
009	211241-5	BALL BEARING 6202DDW		1				
010	962153-2	RETAINING RING R-35		1				
011	257246-1	RING 19		1				
012	226586-8	HELICAL GEAR 37		1				
013	961052-5	RETAINING RING S-12		1				
014	153299-7	CAM COMPLETE		1				
015	216001-0	STEEL BALL 3.5		1				
016	256251-5	PIN 4		1				
017	345228-6	CHANGE PLATE		1				
018	417819-4	CHANGE LEVER		1				
019	417915-8	LEVER CASE		1				
020	317553-5	INNER HOUSING		1				
021	265098-6	PAN HEAD SCREW M4X12		3				
022	210029-0	BALL BEARING 608ZZ		1				
023	267240-5	FLAT WASHER 8		1				
025	619087-7	ARMATURE 220V		1				
D10		INC. 22,23,26,27						
026	681662-9	INSULATION WASHER		1				
027	210030-5	BALL BEARING 627ZZ		1				
029	417821-7	BAFFLE PLATE		1				
030	265097-8	PAN HEAD SCREW M3X40		2				
031	529082-8	FIELD ASS'Y 220V		1				
C10	654228-8	RECEPTACLE		1				
032	183467-8	MOTOR HOUSING SET		1				
D10		INC. 44						
034	417916-6	HANDLE COVER		1				
035	265099-4	PAN HEAD SCREW M4X14		4				
036	643562-1	BRUSH HOLDER 5X8		2	*			
036-1	643552-4	BRUSH HOLDER 5-8	O	2				
037	191998-3	CARBON BRUSH CB-85		1	*			
037-1	194973-8	CARBON BRUSH CB-85	<	1				
041	650518-7	SWITCH CGB-1103-A1A1		1	*			
041-1	650555-1	SWITCH FA1-3/2BEZ-3	S	1				
042	265099-4	PAN HEAD SCREW M4X14		2				
043	687140-7	STRAIN RELIEF		1				
044	819063-3	MAKITA LABEL		1				
046	682504-0	CORD GUARD 10-85		1				
047	691005-7	POWER SUPPLY CORD 0.75-2-2.0		1				
048-1	257173-2	RING 12		1				
A01	763441-8	CHUCK KEY S13		1				

