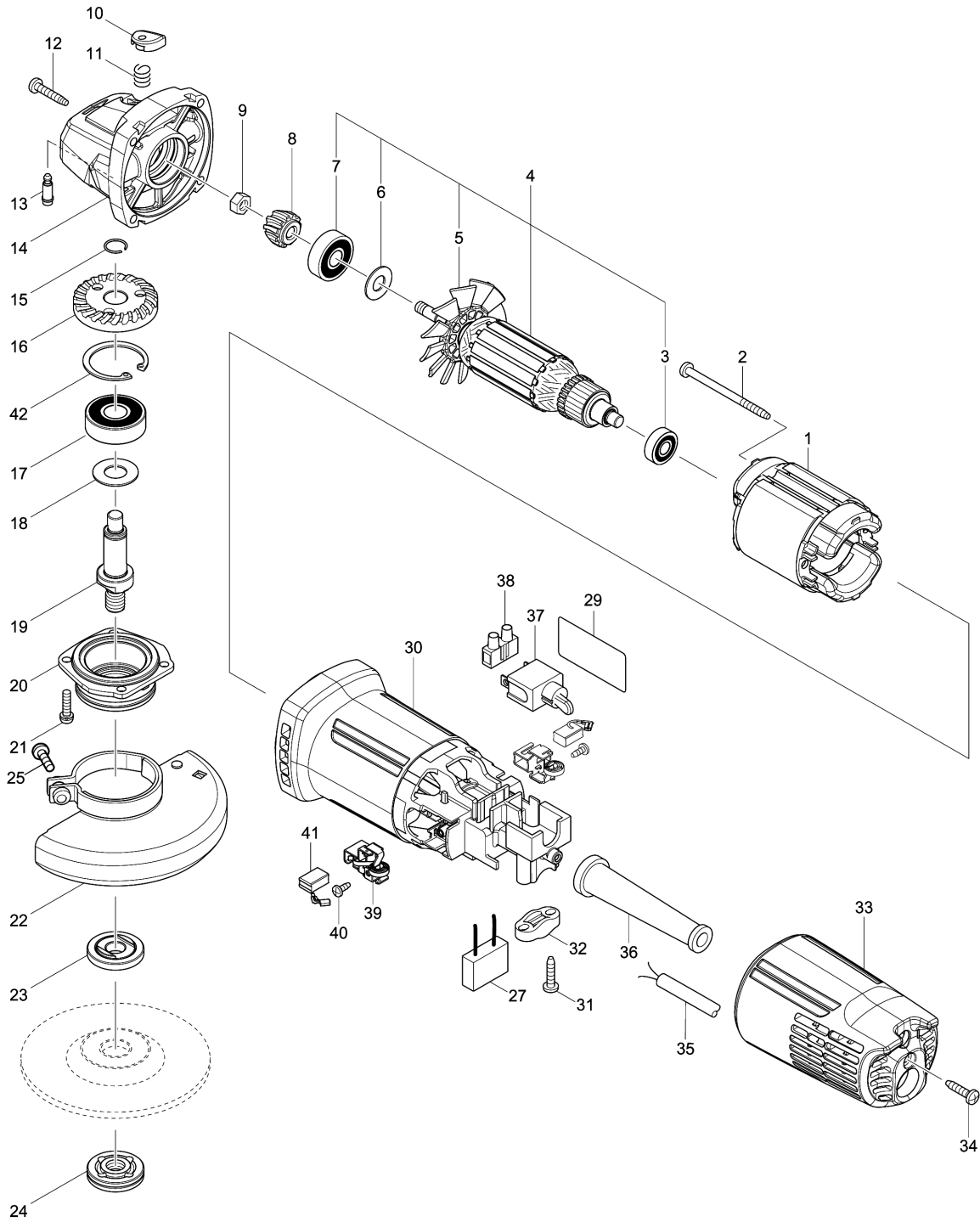


Model No.M0910 100MM ANGLE GRINDER



Model No.M0910 100MM ANGLE GRINDER

Item	Parts No.	Description	I/C	QTY	New/Old	Sales	Purch.	NOTE
001	633754-0	FIELD 240V		1				
002	266334-3	TAPPING SCREW 4X60		2				
003	211382-7	BALL BEARING 607ZZ		1				
004	515829-6	ARMATURE ASS'Y 240V		1				
D10		INC. 3,5-7						
005	240126-8	FAN 60		1				
006	267237-4	FLAT WASHER 9		1				
007	211381-9	BALL BEARING 629ZZ		1				
008	227579-8	SPIRAL BEVEL GEAR 13		1				
009	252186-8	HEX. NUT M6		1				
010	452502-6	PIN CAP		1				
011	233376-2	COMPRESSION SPRING 8		1				
012	266324-6	TAPPING SCREW 4X22		4				
013	256486-8	SHOULDER PIN 4		1				
014	141025-6	GEAR HOUSING COMPLETE		1				
015	961052-5	RETAINING RING S-12		1				
016	227578-0	SPIRAL BEVEL GEAR 37		1				
017	211345-3	BALL BEARING 6201DDW		1				
018	267238-2	FLAT WASHER 12		1				
019	326454-6	SPINDLE		1				
020	318695-8	BEARING BOX		1				
021	265100-5	PAN HEAD SCREW M4X16		4				
022-1	126477-2	WHEEL COVER 100M ASSEMBLY		1				
D10		INC. 25						
023	224470-1	INNER FRANGE 30		1	*			
023-1	224491-3	INNER FLANGE 29	S	1				
024	224585-4	LOCK NUT 10-30		1	*			
024-1	224493-9	LOCK NUT 10-29	S	1	*			
024-2	224610-1	LOCK NUT 10-29	O	1				
025-1	911227-6	PAN HEAD SCREW M5X18		1				
029	850Y81-2	M0910 NAME PLATE		1				
030	456904-8	MOTOR HOUSING		1				
031	266326-2	TAPPING SCREW 4X18		2				
032	687124-5	STRAIN RELIEF		1				
033	454234-1	REAR COVER		1				
034	266326-2	TAPPING SCREW 4X18		1				
035	691284-7	POWER SUPPLY CORD 0.75-2-2.0		1				
036	682583-8	CORD GUARD		1	*			
036-1	682583-8	CORD GUARD	<	1				
037	651434-6	SWITCH TN15-2		1				
039	643871-8	BRUSH HOLDER		2				

Model No.M0910 100MM ANGLE GRINDER

Item	Parts No.	Description	I/C	QTY	New/Old	Sales	Purch.	NOTE
040	266492-5	TAPPING SCREW 3X8		2				
041	195026-6	CARBON BRUSH SET CB-459		1				
042	257978-0	RETAINING RING(INT)R-32		1				
A01	782420-7	LOCK NUT WRENCH 20		1				

Please order the parts with part number.

Print Date 2020/9/2