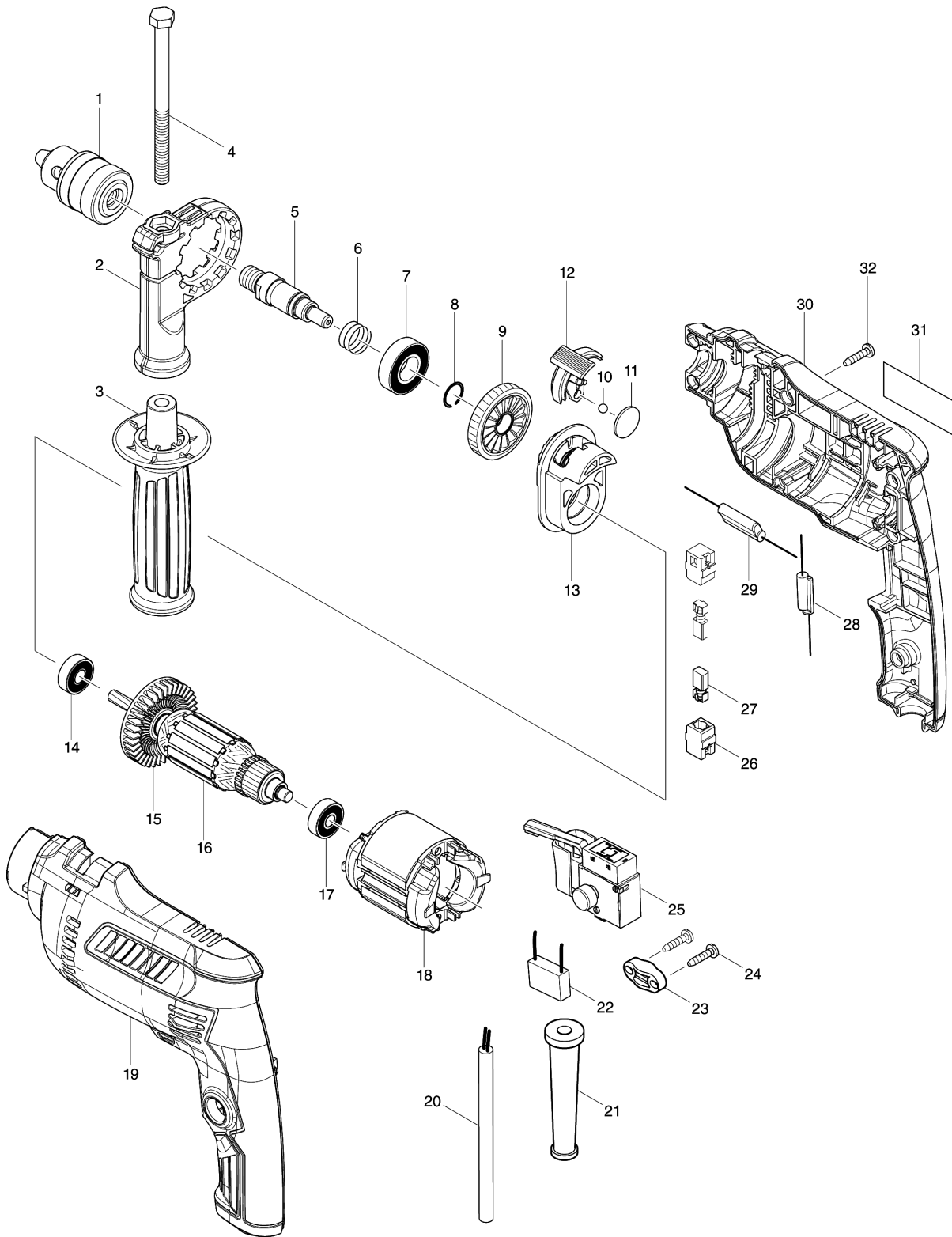


Model No.M0800 10MM HAMMER DRILL



Model No.M0800 10MM HAMMER DRILL

Item	Parts No.	Description	I/C	QTY	New/Old	Opt. 1	Opt. 2	NOTE
001	766022-7	DRILL CHUCK S10		1				
002	454126-4	GRIP BASE		1				
003	142083-5	GRIP 36 COMPLETE		1				
004	265495-6	HEX. BOLT M8X110		1				
005	326278-0	SPINDLE		1				
006	234342-2	COMPRESSION SPRING 16		1				
007	211484-9	BALL BEARING 6002LLB		1				
008	233925-5	RING SPRING 13		1				
009	227764-3	HELICAL GEAR 39		1				
010	216038-7	STEEL BALL 5.0		1				
011	346676-2	PLATE 19		1				
012	454375-3	CHANGE LEVER		1				
013	142074-6	CAM HOLDER COMPLETE		1				
C10	141994-1	CAM COMPLETE		1				
014	210044-4	BALL BEARING 608DDW		1				
015	240127-6	FAN 52		1				
016	515894-5	ARMATURE ASS'Y 240V		1				
D10		INC. 14,15,17						
017	210045-2	BALL BEARING 627DDW		1				
018A	633834-2	FIELD 240V		1	*			
018-1A	633984-3	FIELD 240V	>	1				
018-1B	633984-3	FIELD 240V		1				
019A	183E40-4	HOUSING SET		1	*			
C10	263002-9	RUBBER PIN 4		2	*			
D10		INC. 30			*			
019-1A	183M97-3	HOUSING SET	<	1				
C10	263002-9	RUBBER PIN 4		2				
D10		INC. 30						
019-1B	183M99-9	HOUSING SET		1				
C10	263002-9	RUBBER PIN 4		2				
D10		INC. 30						
020	691284-7	POWER SUPPLY CORD 0.75-2-2.0		1				
021A	682569-2	CORD GUARD 8-85		1	*			
021-1A	682583-8	CORD GUARD	O	1				
021-1B	682583-8	CORD GUARD		1				
023	687124-5	STRAIN RELIEF		1				
024	266841-6	TAPPING SCREW 4X18		2				
025	650240-6	SWITCH FA2-4/1BEK		1				
026	643566-3	BRUSH HOLDER 5X8		2				
027	194973-8	CARBON BRUSH SET CB-85		1				
030A	183E40-4	HOUSING SET		1	*			
C10	263002-9	RUBBER PIN 4		2	*			

Please order the parts with part number.

Print Date 2020/9/2

Model No.M0800 10MM HAMMER DRILL

Item	Parts No.	Description	I/C	QTY	New/Old	Opt. 1	Opt. 2	NOTE
D10		INC. 19			*			
030-1A	183M97-3	HOUSING SET	<	1				
C10	263002-9	RUBBER PIN 4		2				
D10		INC. 19						
030-1B	183M99-9	HOUSING SET		1				
C10	263002-9	RUBBER PIN 4		2				
D10		INC. 19						
031	851A83-7	M0800 NAME PLATE		1				
032	266841-6	TAPPING SCREW 4X18		7				
A01	763452-3	CHUCK KEY S10		1				
A02	418163-2	KEY HOLDER 10		1				

Please order the parts with part number.

Print Date 2020/9/2