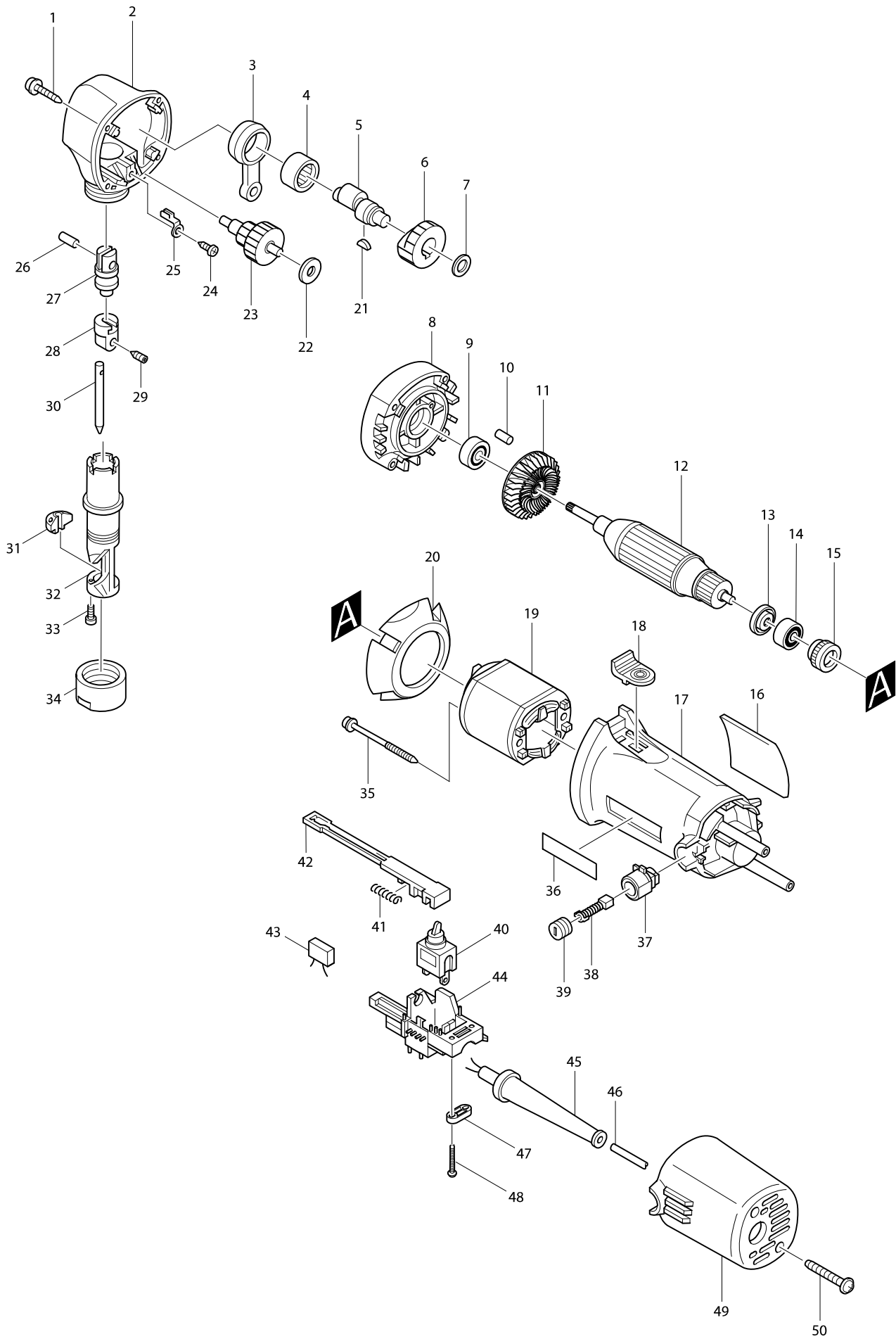


Model No. JN1601 NIBBLER



Model No. JN1601 NIBBLER

Item	Parts No.	Description	I/C	QTY	N/O	Opt. 1	Opt. 2	NOTE
001	266053-1	TAPPING SCREW 4X35		4				
002	159757-1	GEAR HOUSING COMPLETE		1				
C10	817658-6	CAUTION LABEL		1				
003	331438-1	ROD		1				
004	212222-2	NEEDLE BEARING 1612		1				
005	322704-7	CRANK SHAFT		1				
006	226286-0	SPUR GEAR 34		1				
007	253215-0	FLAT WASHER 8		1				
008	159758-9	GEAR HOUSING COVER COMPLETE		1				
C10	951051-5	SPRING PIN 3-8		1				
C20	212005-0	NEEDLE BEARING 810		1				
C30	212011-5	NEEDLE BEARING 609		1				
D10		INC. 10						
009	210005-4	BALL BEARING 608DDW		1				
010	263002-9	RUBBER PIN 4		1				
011	241875-0	FAN 54		1				
012C_	517513-9	ARMATURE ASS'Y 220V		1				
D10		INC. 9,11,13,14						
013	681636-0	INSULATION WASHER		1				
014	211021-9	BALL BEARING 607LLB		1				
015	421479-6	RUBBER RING 19		1				
016	857617-8	NAME PLATE JN1601		1				
017	159755-5	MOTOR HOUSING COMPLETE		1	*			
C10	654125-8	TERMINAL		2	*			
017-1	159755-5	MOTOR HOUSING COMPLETE	<	1				
C10	654125-8	TERMINAL		2				
018	415303-3	SWITCH KNOB		1				
019C_	635013-8	FIELD 220V		1				
020	415490-8	BAFFLE PLATE		1				
021	254002-0	WOODRUFF KEY 3		1				
022	267133-6	FLAT WASHER 6		1				
023	226123-8	GEAR COMPLETE 13-37		1				
024-1	266026-4	TAPPING SCREW BIND CT 4X12		1				
025	344116-4	STOPPER		1				
026	256111-1	PIN 6		1				
027	322703-9	RAM		1				
028	322702-1	PUNCH HOLDER		1				
029	265880-3	H.S.SET SCREW(CONE POINT)M5X8		1				
030	A-15067	PUNCH		1	*			
030-1	A-83951	PUNCH	O	1				
031	A-15051	DIE		1				
032	322701-3	DIE HOLDER		1				
033-1	266080-8	HEX. SOCKET HEAD BOLT M3X12		2				
034	322748-7	LOCK NUT		1				
035	266060-4	TAPPING SCREW 4X65		2				
036	819063-3	MAKITA LABEL		1	*			
037	643922-7	BRUSH HOLDER		2				
038A_	191940-4	CARBON BRUSH CB-411		1	*			

