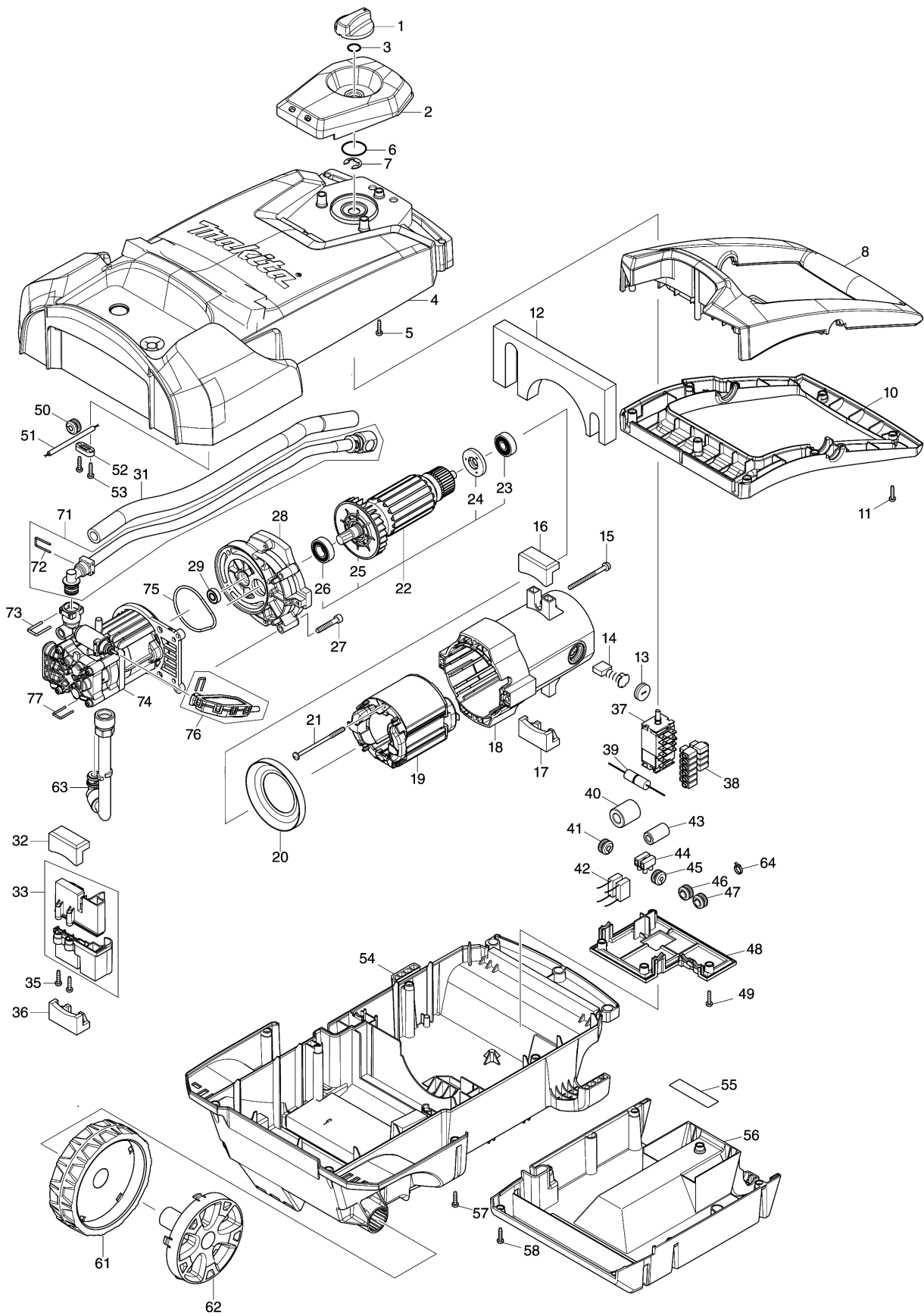
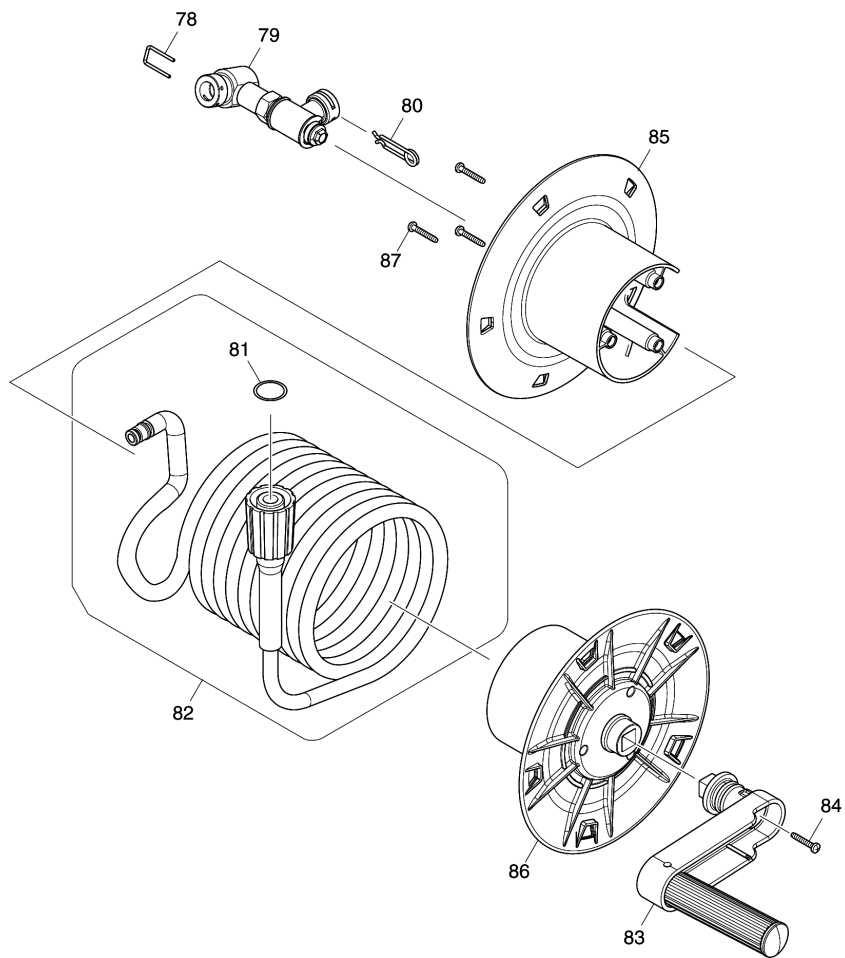


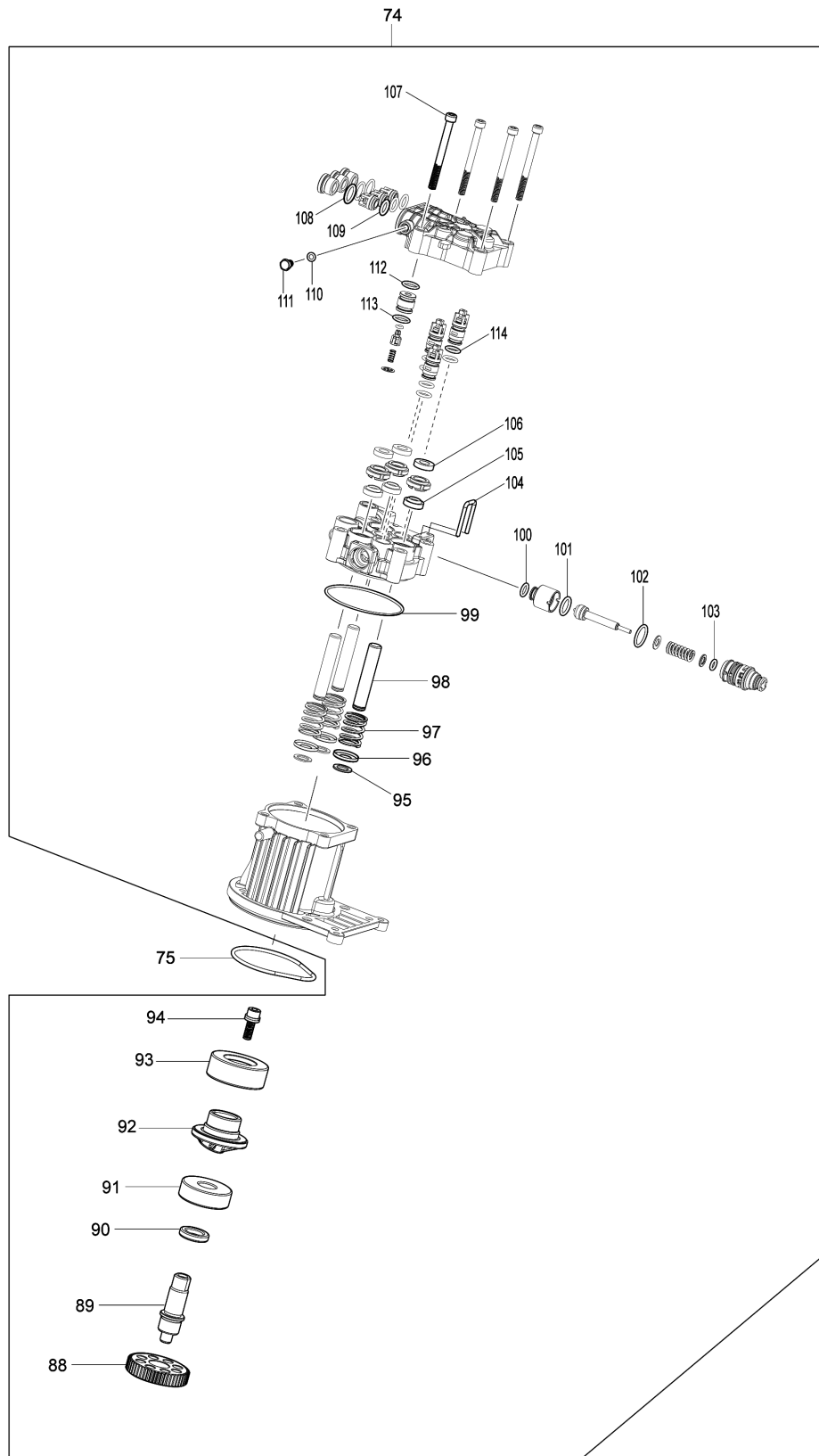
# Model No.HW1300 HIGH PRESSURE WASHER



Model No.HW1300 HIGH PRESSURE WASHER



# Model No.HW1300 HIGH PRESSURE WASHER



## Model No.HW1300 HIGH PRESSURE WASHER

Item	Parts No.	Description	I/C	QTY	New/Old	Opt. 1	Opt. 2	NOTE
001	456837-7	SWITCH DIAL 50		1				
002	456844-0	FRONT COVER		1				
003	213176-6	O RING 14		1				
004	143814-5	FRONT HOUSING COMPLETE		1				
005	266045-0	TAPPING SCREW 4X20		4				
006	213412-0	O RING 29		1				
007	961062-2	STOP RING E-12		1				
008	456840-8	FRONT HANDLE		1				
010	456842-4	REAR HANDLE		1				
011	266045-0	TAPPING SCREW 4X20		9				
012	424856-1	SCREEN SPONGE F		1				
013	643700-5	BRUSH HOLDER CAP 7-18		2				
014	194991-6	CARBON BRUSH SET CB203		1				
015	911288-6	PAN HEAD SCREW M5X65		4				
016	424852-9	RUBBER CUSHION		1				
017	424852-9	RUBBER CUSHION		1				
018	143813-7	MOTOR HOUSING COMPLETE		1				
C10	643712-8	BRUSH HOLDER		2				
019-1	639096-0	FIELD ASSY 240V		1				
C10	654197-3	RING TERMINAL		2				
C20	654502-4	CONNECTOR P-2		2				
020	416131-9	BAFFLE PLATE		1				
021	265A13-6	TAPPING SCREW 5X85		2				
022	513469-4	ARMATURE ASSEMBLY 240V		1	*			
D10		INC. 23-26			*			
022-1	513469-4	ARMATURE ASSEMBLY 240V	O	1				
D10		INC. 23-26						
023	211067-5	BALL BEARING 6200ZZ		1				
024	681630-2	INSULATION WASHER		1				
025	241908-1	FAN 80		1				
026	211236-8	BALL BEARING 6002DDW		1				
027	266586-6	H.S.H.BOLT M6X35		4				
028	143822-6	GEAR HOUSING COMPLETE		1				
C10	263005-3	RUBBER PIN 6		1				
029	211166-3	BALL BEARING 698DDW		1				
031	424869-2	HOSE COVER		1				
032	424852-9	RUBBER CUSHION		1				
033	183D72-5	PUMP RETAINER SET		1				
035	266045-0	TAPPING SCREW 4X20		2				
036	424852-9	RUBBER CUSHION		1				
037	650775-7	SWITCH		1				
038	686035-1	RECEPTACLE SLEEVE		10				
039	632G73-3	CURRENT FUSE UNIT		1				
041	682100-4	GROMMET		1				
044	654531-7	TERMINAL BLOCK 2P		1				
045	682098-5	GROMMET		1				
046	682100-4	GROMMET		1				

## Model No.HW1300 HIGH PRESSURE WASHER

Item	Parts No.	Description	I/C	QTY	New/Old	Opt. 1	Opt. 2	NOTE
047	682100-4	GROMMET		1				
048	456833-5	SWITCH BOX COVER		1				
049	266045-0	TAPPING SCREW 4X20		4				
050	682100-4	GROMMET		1				
051	691049-7	POWER SUPPLY CORD 0.75-2-5.7		1				
052	687140-7	STRAIN RELIEF		1				
053	266045-0	TAPPING SCREW 4X20		2				
054	143820-0	REAR HOUSING COMPLETE		1				
C10	809R02-9	CAUTION LABEL		1				
055	852W26-4	HW1300 NAME PLATE		1				
056	456838-5	REAR BOX		1				
057	266045-0	TAPPING SCREW 4X20		8				
058	266045-0	TAPPING SCREW 4X20		7				
061	456835-1	WHEEL		2				
062	456836-9	WHEEL CAP		2				
063	123649-0	ABSORPTION JOINT		1				
064	687010-0	BAND		1				
071	TG00000004	HIGH-PRESSURE HOSE JOINT		1				
072	TG00000002	U TYPE PIN 3		1				
073	TG00000002	U TYPE PIN 3		1				
074	TG00000001	PUMP COMPLETE		1	*			
D10		INC. 88-114			*			
074-1	TG00000001	PUMP COMPLETE	O	1				
D10		INC. 88-114						
075	TG00000006	SEAL RING 62		1				
076	TG00000005	PRESSURE SWITCH COMPLETE		1				
077	TG00000003	U TYPE PIN 2		1	*			
077-1	TG00000062	U TYPE PIN 2.2	O	1				
078	TG00000003	U TYPE PIN 2		1				
079	TG00000010	REEL JOINT COMPLETE		1				
D10		INC. 116,117,118,119,120						
080	TG00000011	TORSION SPRING 8		1				
081	TG00000008	O RING 10		1	*			
081-1	TG00000058	O RING 10	O	1				
082	TG00000009	HIGH-PRESSURE HOSE 10M		1	*			
D10		INC. 81,115			*			
082-1	TG00000059	HIGH-PRESSURE HOSE 10M	O	1				
D10		INC. 81,115						
083	TG00000013	REEL HANDLE COMPLETE		1	*			
083-1	TG00000023	REEL HANDLE COMPLETE	O	1				
084	TG00000012	SCREW 3.5X19		1				
085	456897-9	HOSE REEL L		1				
086	456823-8	HOSE REEL R		1				
087	TG00000012	SCREW 3.5X19		3				
088	TG00000025	HELICAL GEAR		1	*			
088-1	TG00000025	HELICAL GEAR	O	1				

Model No.HW1300 HIGH PRESSURE WASHER

Item	Parts No.	Description	I/C	QTY	New/Old	Opt. 1	Opt. 2	NOTE
089	TG00000026	SPINDLE		1				
090	TG00000030	OIL SEAL		1				
091	TG00000031	BALL BEARING		1				
092	TG00000027	WOBBLE PLATE		1				
093	TG00000028	THRUST BALL BEARING		1				
094	TG00000029	H.S.H.BOLT		1				
095	TG00000032	RETAINING RING		3				
096	TG00000033	SPRING RETAINER		3				
097	TG00000034	COMPRESSION SPRING		3				
098	TG00000035	PISTON PIN		3				
099	TG00000036	O-RING		1				
100	TG00000037	O-RING		1				
101	TG00000038	O-RING		1				
102	TG00000048	O-RING		1				
103	TG00000039	O-RING		1				
104	TG00000040	U TYPE PIN		1				
105	TG00000041	OIL SEAL		3				
106	TG00000042	PACKING		3				
107	TG00000043	H.S.H.BOLT		4				
108	TG00000044	O-RING		3				
109	TG00000024	O-RING		3				
110	TG00000046	O-RING		1				
111	TG00000045	HEX BOLT		1				
112	TG00000047	O-RING		1				
113	TG00000047	O-RING		1				
114	TG00000037	O-RING		6				
115	TG00000015	O-RING 7.5		1				
116	TG00000053	O-RING 11X2.65		2				
117	TG00000039	O-RING		2				
118	TG00000046	O-RING		2				
119	TG00000054	O-RING 9X1.8		2				
120	TG00000054	O-RING 9X1.8		1				
A01	197842-2	TRIGGER GUN SET		1				
A02	197886-2	FOAM NOZZLE SET		1	*			
A02-1	197886-2	FOAM NOZZLE SET	O	1				
A03	197876-5	VARIOSPRAY LANCE SET		1				
A04	197824-4	CYCLONE JET NOZZLE SET		1				
A05	197810-5	CONNECTOR SET		1				
C10	197883-8	ONE TOUCH JOINT SET		1				
C20	197881-2	ABSORPTION CONNECTOR SET		1				
C30	123660-2	CLEANING PIN		1				

Please order the parts with part number.

Print Date 2022/12/15