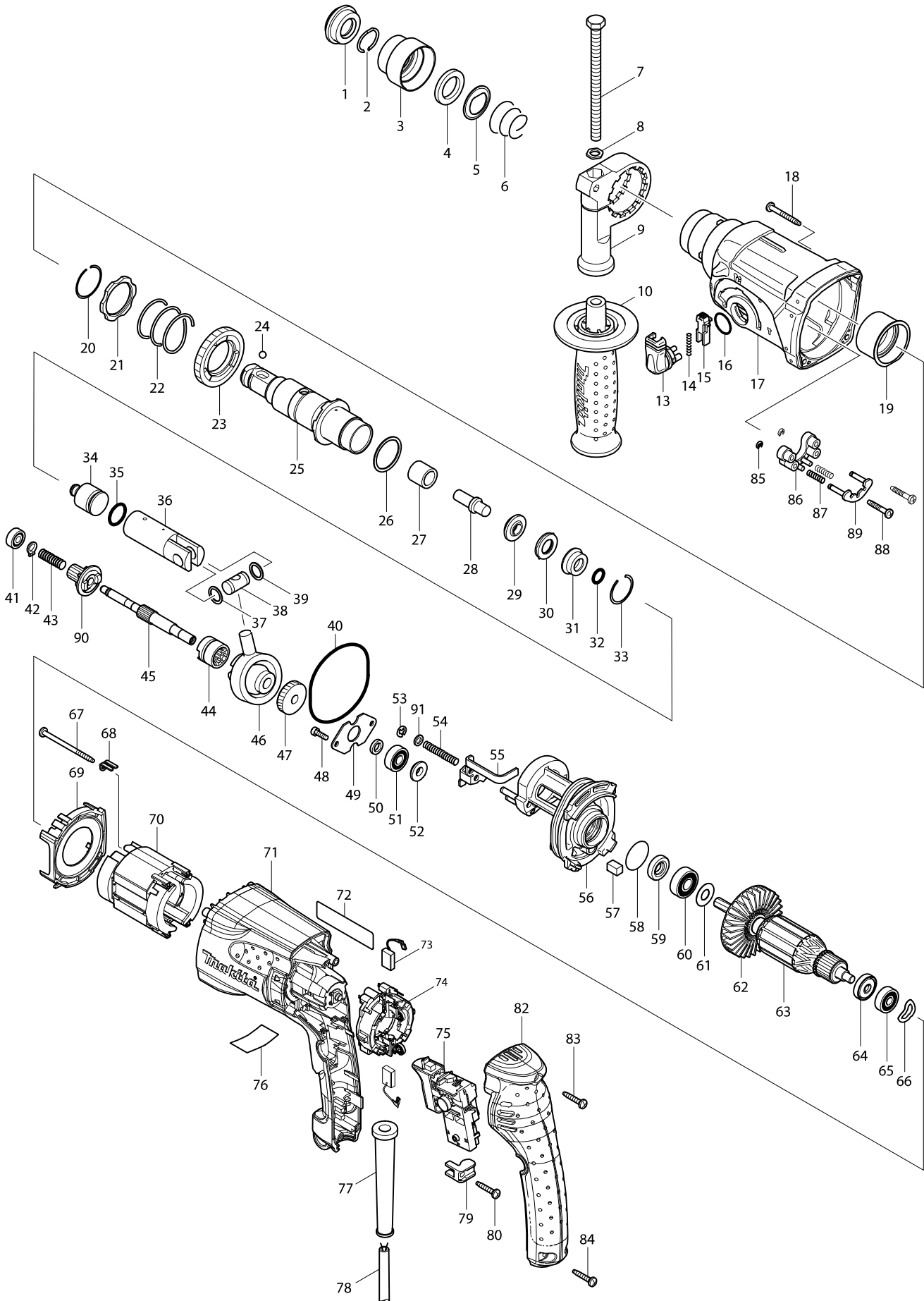


# Model No. HR2470 ROTARY HAMMER 24MM



# Model No. HR2470 ROTARY HAMMER 24MM

Item	Parts No.	Description	I/C	QTY	N/O	Opt. 1	Opt. 2	NOTE
001	286263-4	CAP 35		1				
002	233940-9	RING SPRING 19		1				
003	417629-9	CHUCK COVER		1				
004	257241-1	RING 21		1				
005	345187-4	GUIDE WASHER		1				
006	233916-6	CONICAL COMP. SPRING 21-29		1				
007	921923-8	HEX. BOLT M8X120		1				
008	345280-4	HEX. WASHER		1				
009	417630-4	GRIP BASE		1				
010	158057-6	GRIP 36 COMPLETE		1				
C10	931402-8	HEX. NUT M8		1				
013	162245-9	CHANGE LEVER		1				
014	233459-8	COMPRESSION SPRING 3		1				
015	419192-8	LOCK BUTTON		1				
016	213278-8	O RING 17		1				
017	158216-2	GEAR HOUSING COMPLETE		1				
C10	213965-9	OIL SEAL 25		1	*			
C11	213345-9	OIL SEAL 25	O	1				
C11	213345-9	OIL SEAL 25		1				
018	266351-3	TAPPING SCREW 4X35		4				
019	153290-5	NEEDLE BEARING COMPLETE		1				
020	233929-7	RING SPRING 29		1				
021A	267791-8	WASHER 31		1	*			
021-1A	267460-1	WASHER 31	O	1				
021-1B	267460-1	WASHER 31		1				
022	233401-9	COMPRESSION SPRING 32		1				
023	227109-5	SPUR GEAR 51		1				
024	216022-2	STEEL BALL 7.0		1				
025-1	158574-6	TOOL HOLDER COMPLETE		1				
026	267229-3	FLAT WASHER 28		1				
027	331769-8	SLEEVE 9		1				
028	324669-9	IMPACT BOLT		1				
029	324402-9	RING 10		1				
030	421955-0	CUSHION RING 13		1				
031	324216-6	O RING CASE		1				
032	213073-6	O RING 9		1				
033	233917-4	RING SPRING 28		1				
034	324733-6	STRIKER		1				
035	213227-5	O RING 16		1				
036	318132-2	PISTON CYLINDER		1				
037	267104-3	FLAT WASHER 12		1				
038	324215-8	PISTON JOINT		1				
039	267104-3	FLAT WASHER 12		1				
040	213727-5	O-RING 63		1				
041A	211012-0	BALL BEARING 606ZZ		1	*			
041-1A	210028-2	BALL BEARING 606ZZ	O	1				
041-1B	210028-2	BALL BEARING 606ZZ		1				
042	961003-8	RETAINING RING S-7		1				

# Model No. HR2470 ROTARY HAMMER 24MM

Item	Parts No.	Description	I/C	QTY	N/O	Opt. 1	Opt. 2	NOTE
043	233343-7	COMPRESSION SPRING 7		1				
044A	331768-0	CLUTCH CAM		1	*			
044-1A	331992-5	CLUTCH CAM	<	1				
044-1B	331992-5	CLUTCH CAM		1				
045	324668-1	CAM SHAFT		1				
046	219014-0	SWASH BEARING 10		1				
047	226656-3	HELICAL GEAR 26		1				
048	266273-7	HEX. SOCKET HEAD BOLT M4X12		2				
049	345179-3	BEARING RETAINER		1				
050	267234-0	FLAT WASHER 8		1				
051A	211032-4	BALL BEARING 608ZZ		1	*			
051-1A	210029-0	BALL BEARING 608ZZ	O	1				
051-1B	210029-0	BALL BEARING 608ZZ		1				
052	324212-4	RING 8		1				
053	961011-9	STOP RING E-4		1				
054	233342-9	COMPRESSION SPRING 6		1				
055	345363-0	CHANGE PLATE		1				
056A	158215-4	INNER HOUSING COMPLETE		1	*			
056-1A	141574-3	INNER HOUSING COMPLETE	S	1				
056-1B	141574-3	INNER HOUSING COMPLETE		1				
057A	443126-9	FELT		1	*			
058	213407-3	O RING 26		1				
059	213077-8	OIL SEAL 10		1				
060	210059-1	BALL BEARING 6000DDW		1				
061	267213-8	FLAT WASHER 10		1				
062	240092-9	FAN 64		1				
063	515288-4	ARMATURE ASS'Y 220V		1				
D10		INC. 60-62,64,65						
064A	681652-2	INSULATION WASHER		1	*			
064-1A	681670-0	INSULATION WASHER	<	1				
064-1B	681670-0	INSULATION WASHER		1				
065	210023-2	BALL BEARING 627DDW		1				
066	267804-5	WAVE WASHER 15		1				
067	266334-3	TAPPING SCREW 4X60		2				
068	344871-8	RETAINER		2				
069	419716-0	BUFFLE PLATE		1				
070	626578-1	FIELD 220V		1				
071	419731-4	MOTOR HOUSING		1				
072	863538-4	HR2470 NAME PLATE		1				
073A	194074-2	CARBON BRUSH CB-325		1	*			
073-1A	195001-2	CARBON BRUSH SET CB-325	<	1				
073-1B	195001-2	CARBON BRUSH SET CB-325		1				
074	638500-6	BRUSH HOLDER UNIT		1				
075	650589-4	SWITCH C3VA-2L		1				
076	814963-2	HR2470 SERIAL NO.LABEL		1				
077	682566-8	CORD GUARD 10		1				
078	691015-4	POWER SUPPLY CORD 0.75-2-2.5		1				
079	687261-5	STRAIN RELIEF		1				

