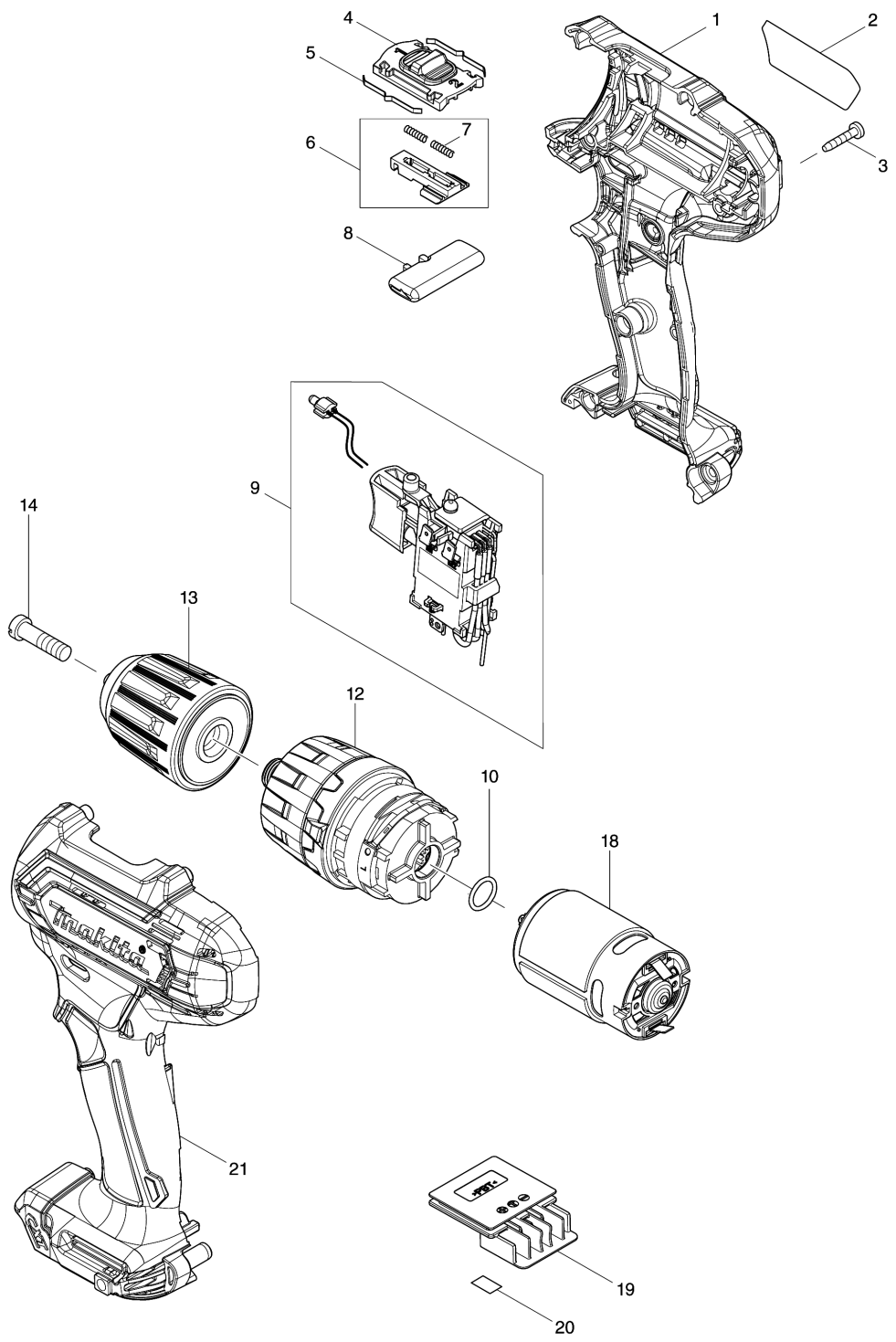


Model No.HP333D CORDLESS HAMMER DRIVER DRILL



Model No.HP333D CORDLESS HAMMER DRIVER DRILL

Item	Parts No.	Description	I/C	QTY	New/Old	Opt. 1	Opt. 2	NOTE
001	183K90-5	HOUSING SET		1				
C10	252126-6	HEX. LOCK NUT M4-7		2				
D10		INC. 21						
002	855E12-6	HP333D NAME PLATE		1				
003	266429-2	TAPPING SCREW 3X16		9				
004	459026-3	SPEED CHANGE LEVER		1	*			
004-1	413F37-8	SPEED CHANGE LEVER	S	1				
005	232493-5	LEAF SPRING		2				
006	127127-2	CHANGE LEVER ASSEMBLY		1	*			
D10		INC. 7			*			
006-1	122B84-1	CHANGE LEVER ASSEMBLY	S	1				
D10		INC. 7						
007	233025-1	COMPRESSION SPRING 2		2				
008	456039-5	F/R CHANGE LEVER		1				
009	632J77-3	SWITCH UNIT		1				
C10	620625-0	LED CIRCUIT		1				
010A	213176-6	O RING 14		1				
010B	213176-6	O RING 14		1				
010C	213176-6	O RING 14		1				
010D	213176-6	O RING 14		1				
010E	213176-6	O RING 14		1				
012A	127124-8	GEAR ASSEMBLY		1	*			
012B	127124-8	GEAR ASSEMBLY		1	*			
012C	127124-8	GEAR ASSEMBLY		1	*			
012D	127124-8	GEAR ASSEMBLY		1	*			
012-1A	127745-6	GEAR ASSEMBLY	<	1	*			
012-1B	127745-6	GEAR ASSEMBLY	<	1	*			
012-1C	127745-6	GEAR ASSEMBLY	<	1	*			
012-1D	127745-6	GEAR ASSEMBLY	<	1	*			
012-1E	127745-6	GEAR ASSEMBLY		1	*			
012-2	122C95-2	GEAR ASSEMBLY	<	1				
013	763238-5	KEYLESS DRILL CHUCK 10		1				
014	251468-5	- FLAT HEAD SCREW M6X22		1				
018	629395-8	DC MOTOR		1				
019	644813-5	TERMINAL		1				
020	855E19-2	HP333D SERIAL NO. LABEL		1				
021	183K90-5	HOUSING SET		1				
C10	252126-6	HEX. LOCK NUT M4-7		2				
D10		INC. 1						
A01	251314-2	+ SCREW M4X12		1				
A02	346909-5	HOOK		1				
A03	784202-3	PHILLIPS BIT 2-45		1	*			
A03-1	784043-7	+BIT 2-45	O	1				
A04B	821661-1	PLASTIC CARRYING CASE		1				
C10	417724-5	LATCH		2				
A04C	821661-1	PLASTIC CARRYING CASE		1				
C10	417724-5	LATCH		2				

Model No.HP333D CORDLESS HAMMER DRIVER DRILL

Item	Parts No.	Description	I/C	QTY	New/Old	Opt. 1	Opt. 2	NOTE
A04D	821661-1	PLASTIC CARRYING CASE		1				
C10	417724-5	LATCH		2				
A05B	818P48-2	HP333DWYE MODEL NO. LABEL		1				
A05C	818P54-7	HP333DWAE MODEL NO. LABEL		1				
A05D	818P58-9	HP333DWME MODEL NO. LABEL		1				
A08B	456128-6	BATTERY COVER		1				
A08C	456128-6	BATTERY COVER		1				
A08D	456128-6	BATTERY COVER		1				
A09B	***DC10WD	DC10WD BATTERY CHARGER		1				
D10		COMPO-PARTS						
A09C	***DC10WD	DC10WD BATTERY CHARGER		1				
D10		COMPO-PARTS						
A09D	***DC10WD	DC10WD BATTERY CHARGER		1				
D10		COMPO-PARTS						
A09E	***DC10WD	DC10WD BATTERY CHARGER		1				
D10		COMPO-PARTS						
A10B	197393-5	BATTERY BL1016 SET		2				
A10C	197396-9	BATTERY BL1021B SET		2	*			
A10D	197406-2	BATTERY BL1041B SET		2	*			
A10-1C	197396-9	BATTERY BL1021B SET	O	2				
A10-1D	197406-2	BATTERY BL1041B SET	O	2				
A10-1E	197393-5	BATTERY BL1016 SET		1				

Please order the parts with part number.

Print Date 2022/12/15