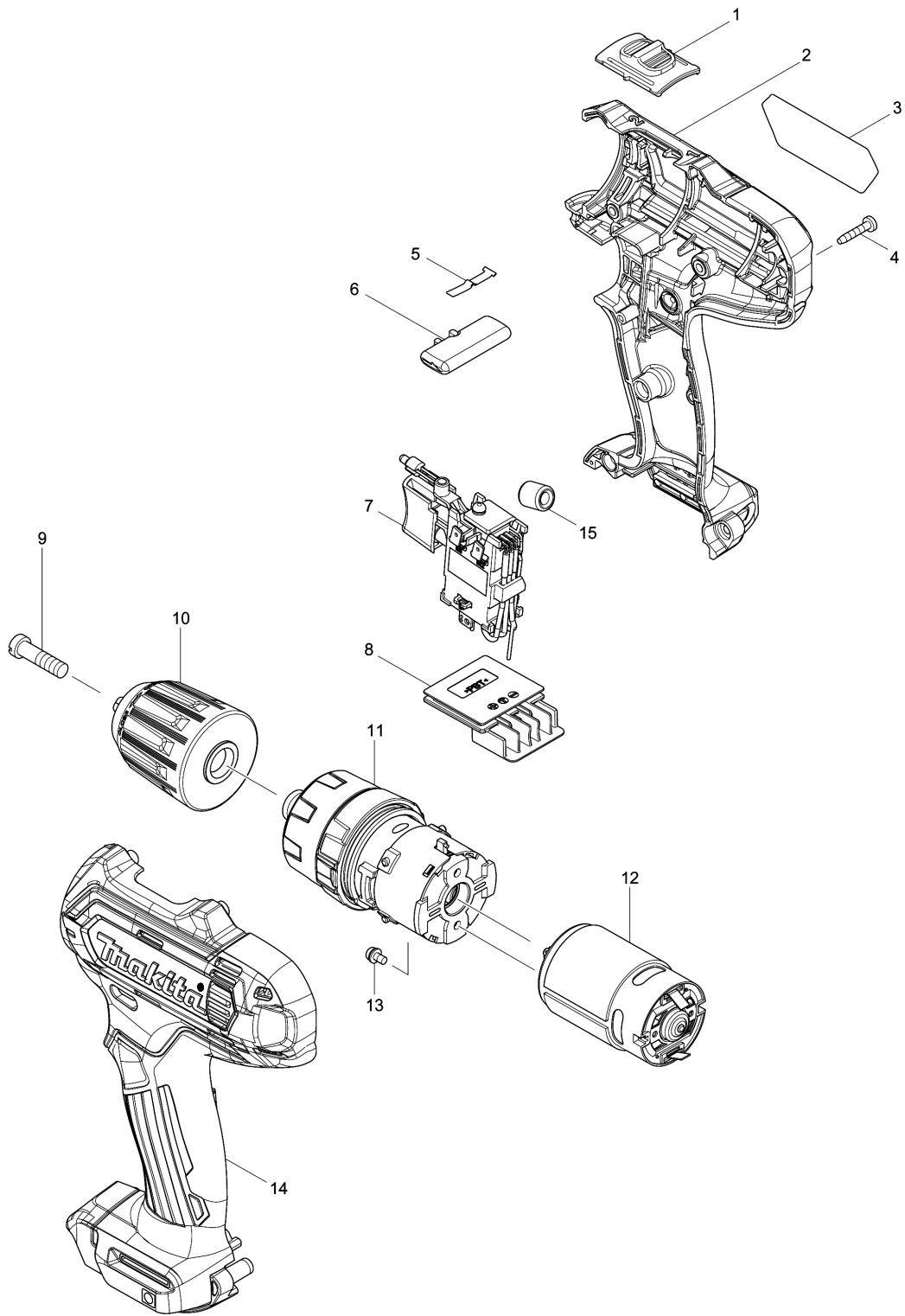


Model No.HP331D CORDLESS HAMMER DRIVER DRILL



Model No.HP331D CORDLESS HAMMER DRIVER DRILL

Item	Parts No.	Description	I/C	QTY	New/Old	Opt. 1	Opt. 2	NOTE
001	126233-0	SPEED CHANGE LEVER ASSEMBLY		1				
C10	231433-0	COMPRESSION SPRING 4		2				
002	183B50-3	HOUSING SET		1				
C10	252126-6	HEX. LOCK NUT M4-7		2				
D10		INC. 14						
003A	851H13-0	HP331D NAME PLATE		1	*			
003B	851H13-0	HP331D NAME PLATE		1	*			
003C	851H12-2	HP331D NAME PLATE		1				
003-1A	851H12-2	HP331D NAME PLATE	<	1				
003-1B	851H12-2	HP331D NAME PLATE	<	1				
004	266429-2	TAPPING SCREW 3X16		9				
005	232239-9	LEAF SPRING		1				
006	456039-5	F/R CHANGE LEVER		1				
007A	632F43-6	SWITCH UNIT		1	*			
C10	620463-0	LED CIRCUIT		1	*			
007B	632F43-6	SWITCH UNIT		1	*			
C10	620463-0	LED CIRCUIT		1	*			
007C	632J77-3	SWITCH UNIT		1				
C10	620625-0	LED CIRCUIT		1				
007-1A	632J77-3	SWITCH UNIT	<	1				
C10	620625-0	LED CIRCUIT		1				
007-1B	632J77-3	SWITCH UNIT	<	1				
C10	620625-0	LED CIRCUIT		1				
008	644813-5	TERMINAL		1				
009	251468-5	- FLAT HEAD SCREW M6X22		1				
010	763229-6	KEYLESS DRILL CHUCK 10		1				
011	123502-0	GEAR ASS'Y		1				
012	629167-1	DC MOTOR		1				
013	911003-8	PAN HEAD SCREW M3X6		2				
014	183B50-3	HOUSING SET		1				
C10	252126-6	HEX. LOCK NUT M4-7		2				
D10		INC. 2						
A01	251314-2	+ SCREW M4X12		1				
A02	346909-5	HOOK		1				
A03	784202-3	PHILLIPS BIT 2-45		1	*			
A03-1	784043-7	+BIT 2-45	O	1				
A04B	456128-6	BATTERY COVER		1				
A04C	456128-6	BATTERY COVER		1				
A05B	***DC10WD	DC10WD BATTERY CHARGER		1				
D10		COMPO-PARTS						
A05C	***DC10WD	DC10WD BATTERY CHARGER		1				
D10		COMPO-PARTS						
A06B	197393-5	BATTERY BL1016 SET		2				
A06C	197396-9	BATTERY BL1021B SET		1	*			
A06-1C	197396-9	BATTERY BL1021B SET	O	1				
A07B	821661-1	PLASTIC CARRYING CASE		1				

Model No.HP331D CORDLESS HAMMER DRIVER DRILL

Item	Parts No.	Description	I/C	QTY	New/Old	Opt. 1	Opt. 2	NOTE
C10	417724-5	LATCH		2				
A07C	D-63937	17PCS. DRILL & SCREW BIT SET		1				
A08C	198254-2	COOLER BOX TYPE 3 SET		1				
C10	457247-1	LATCH		4				
C20	424934-7	SEAL BOTTOM		1				
C30	424935-5	SEAL TOP		1				
C40	457237-4	INNER CASE(BOTTOM) TYPE 4		1				
C50	161576-3	SHOULDER BELT		1				
A09C	AUAADP08	USB ADAPTER		1				
D10		COMPO-PARTS						
A10C	817U80-3	HP331DWAX8 INDICATION LABEL		1				
A11C	817U81-1	HP331DWAX8 PLASTIC CASE LABEL		2				
A12C	832035-1	TOOL BAG		1				

Please order the parts with part number.

Print Date 2022/12/15