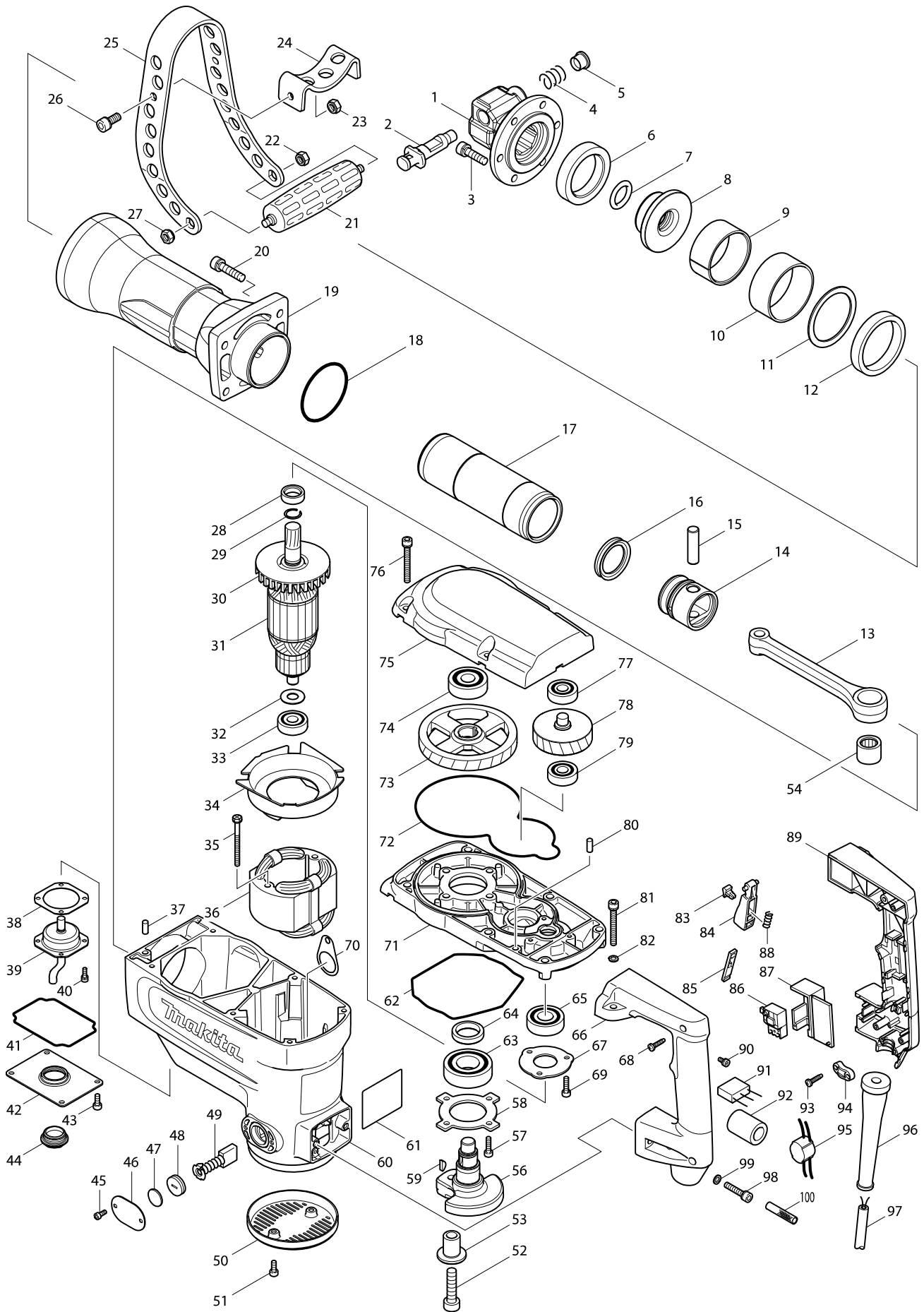


# Model No. HM1306 DEMOLITION HAMMER



# Model No. HM1306 DEMOLITION HAMMER

| Item  | Parts No. | Description                 | I/C | QTY | N/O | Opt. 1 | Opt. 2 | NOTE |
|-------|-----------|-----------------------------|-----|-----|-----|--------|--------|------|
| 001   | 324820-1  | TOOL HOLDER                 |     | 1   |     |        |        |      |
| 002   | 324099-4  | TOOL RETAINER               |     | 1   | *   |        |        |      |
| 002-1 | 324942-7  | TOOL RETAINER               | S   | 1   |     |        |        |      |
| 003   | 266010-9  | HEX. SOCKET HEAD BOLT M8X30 |     | 6   |     |        |        |      |
| 004   | 233309-7  | COMPRESSION SPRING 17       |     | 1   | *   |        |        |      |
| 004-1 | 233309-7  | COMPRESSION SPRING 17       | O   | 1   |     |        |        |      |
| 005   | 324135-6  | RETAINER SLEEVE             |     | 1   |     |        |        |      |
| 006   | 262137-3  | URETHANE RING 49            |     | 1   |     |        |        |      |
| 007   | 213388-1  | O RING 24                   |     | 1   |     |        |        |      |
| 008   | 324821-9  | SEAL HOLDER                 |     | 1   |     |        |        |      |
| 009   | 324824-3  | IDLER                       |     | 1   |     |        |        |      |
| 010   | 262536-9  | RUBBER SLEEVE 64            |     | 1   |     |        |        |      |
| 011   | 267146-7  | FLAT WASHER 58              |     | 1   |     |        |        |      |
| 012   | 262068-6  | URETHANE RING 59            |     | 1   |     |        |        |      |
| 013   | 324832-4  | CONNECTING ROD              |     | 1   |     |        |        |      |
| 014   | 318193-2  | PISTON                      |     | 1   |     |        |        |      |
| 015   | 256238-7  | PIN 12                      |     | 1   |     |        |        |      |
| 016   | 213494-2  | Y RING 34                   |     | 1   |     |        |        |      |
| 017   | 324822-7  | HAMMER                      |     | 1   |     |        |        |      |
| 018   | 213701-3  | O RING 65                   |     | 1   |     |        |        |      |
| 019   | 318190-8  | BARREL                      |     | 1   |     |        |        |      |
| 020   | 266011-7  | HEX. SOCKET HEAD BOLT M8X35 |     | 4   |     |        |        |      |
| 021   | 273518-6  | GRIP 37                     |     | 1   |     |        |        |      |
| 022   | 252005-8  | HEX. NUT M8-13              |     | 1   |     |        |        |      |
| 023   | 252005-8  | HEX. NUT M8-13              |     | 2   |     |        |        |      |
| 024   | 345474-1  | HANDLE CLAMP                |     | 1   |     |        |        |      |
| 025   | 345473-3  | SIDE HANDLE                 |     | 1   |     |        |        |      |
| 026   | 922431-2  | HEX. SOCKET HEAD BOLT M8X20 |     | 2   |     |        |        |      |
| 027   | 252005-8  | HEX. NUT M8-13              |     | 1   |     |        |        |      |
| 028   | 257260-7  | RING 17                     |     | 1   |     |        |        |      |
| 029   | 233933-6  | RING SPRING 15              |     | 1   |     |        |        |      |
| 030   | 241870-0  | FAN 80                      |     | 1   |     |        |        |      |
| 031   | 517773-3  | ARMATURE ASS'Y 220V         |     | 1   |     |        |        |      |
| D10   |           | INC. 30,32,33               |     |     |     |        |        |      |
| 032   | 267024-1  | FLAT WASHER 12              |     | 1   |     |        |        |      |
| 033   | 211106-1  | BALL BEARING 6201LLB        |     | 1   |     |        |        |      |
| 034   | 418790-5  | BAFFLE PLATE                |     | 1   |     |        |        |      |
| 035   | 265345-5  | + HEX. BOLT M5X60           |     | 2   |     |        |        |      |
| 036   | 526143-5  | FIELD ASS'Y 220V            |     | 1   | *   |        |        |      |
| C10   | 654197-3  | RING TERMINAL               |     | 2   | *   |        |        |      |
| C20   | 654502-4  | CONNECTOR P-2               |     | 2   | *   |        |        |      |
| C30   | 683381-3  | VARNISHED POLYESTER TUBE    |     | 2   | *   |        |        |      |
| D10   |           | INC. 70                     |     |     | *   |        |        |      |
| 036-1 | 526233-4  | FIELD ASS'Y 220V            | <   | 1   |     |        |        |      |
| C10   | 654197-3  | RING TERMINAL               |     | 2   |     |        |        |      |
| C20   | 654502-4  | CONNECTOR P-2               |     | 2   |     |        |        |      |
| C30   | 683381-3  | VARNISHED POLYESTER TUBE    |     | 2   |     |        |        |      |
| D10   |           | INC. 70                     |     |     |     |        |        |      |

# Model No. HM1306 DEMOLITION HAMMER

| Item  | Parts No. | Description                  | I/C | QTY | N/O | Opt. 1 | Opt. 2 | NOTE |
|-------|-----------|------------------------------|-----|-----|-----|--------|--------|------|
| 037   | 256111-1  | PIN 6                        |     | 1   |     |        |        |      |
| 038   | 442139-7  | HOLDER SEAL                  |     | 1   |     |        |        |      |
| 039   | 158388-3  | FELT COMPLETE                |     | 1   |     |        |        |      |
| 040   | 922116-0  | HEX. SOCKET HEAD BOLT M4X12  |     | 4   |     |        |        |      |
| 041   | 424053-9  | SEAL RING C                  |     | 1   |     |        |        |      |
| 042   | 158538-0  | OIL TANK COVER COMPLETE      |     | 1   |     |        |        |      |
| C10   | 812124-8  | OIL INDICATION LABEL         |     | 1   |     |        |        |      |
| 043   | 265903-7  | HEX. SOCKET HEAD BOLT M5X12  |     | 4   |     |        |        |      |
| 044   | 242502-2  | OIL GAUGE                    |     | 1   |     |        |        |      |
| 045   | 266167-6  | HEX. SOCKET HEAD BOLT M4X10  |     | 4   |     |        |        |      |
| 046   | 344975-6  | HOLDER CAP PLATE             |     | 2   |     |        |        |      |
| 047   | 421034-4  | CAP RUBBER                   |     | 2   |     |        |        |      |
| 048   | 643700-5  | BRUSH HOLDER CAP 7-18        |     | 2   |     |        |        |      |
| 049   | 191957-7  | A.C. CARBON BRUSH CB-204     |     | 1   | *   |        |        |      |
| 049-1 | 194992-4  | CARBON BRUSH CB-204          | <   | 1   |     |        |        |      |
| 050   | 284067-8  | REAR COVER                   |     | 1   |     |        |        |      |
| 051   | 265903-7  | HEX. SOCKET HEAD BOLT M5X12  |     | 2   |     |        |        |      |
| 052   | 266276-1  | HEX. SOCKET HEAD BOLT M10X40 |     | 1   |     |        |        |      |
| 053   | 331792-3  | CRANK SLEEVE                 |     | 1   |     |        |        |      |
| 054   | 212263-8  | NEEDLE ROLLER BEARING 1820   |     | 1   |     |        |        |      |
| 056   | 324823-5  | CRANK SHAFT                  |     | 1   |     |        |        |      |
| 057   | 265853-6  | HEX. SOCKET HEAD BOLT M5X18  |     | 4   |     |        |        |      |
| 058   | 285730-6  | BEARING RETAINER 65          |     | 1   |     |        |        |      |
| 059   | 254001-2  | WOODRUFF KEY 4               |     | 2   |     |        |        |      |
| 060   | 158386-7  | MOTOR HOUSING COMPLETE       |     | 1   |     |        |        |      |
| C10   | 643713-6  | BRUSH HOLDER                 |     | 2   |     |        |        |      |
| 061   | 864243-6  | HM1306 NAME PLATE            |     | 1   |     |        |        |      |
| 062   | 424048-2  | SEAL RING A                  |     | 1   |     |        |        |      |
| 063   | 211373-8  | BALL BEARING 6205LLU         |     | 1   |     |        |        |      |
| 064   | 257286-9  | RING 25                      |     | 1   |     |        |        |      |
| 065   | 211281-3  | BALL BEARING 6203LLU         |     | 1   |     |        |        |      |
| 066   | 188387-1  | HANDLE SET                   |     | 1   |     |        |        |      |
| D10   |           | INC. 89                      |     |     |     |        |        |      |
| 067   | 285729-1  | BEARING RETAINER 48          |     | 1   |     |        |        |      |
| 068   | 265995-6  | TAPPING SCREW 4X18           |     | 3   |     |        |        |      |
| 069   | 265853-6  | HEX. SOCKET HEAD BOLT M5X18  |     | 3   |     |        |        |      |
| 070   | 681018-6  | PAPER WASHER                 |     | 2   |     |        |        |      |
| 071   | 318191-6  | GEAR HOUSING                 |     | 1   |     |        |        |      |
| 072   | 424049-0  | SEAL RING B                  |     | 1   |     |        |        |      |
| 073   | 226671-7  | HELICAL GEAR 65              |     | 1   |     |        |        |      |
| 074   | 211211-4  | BALL BEARING 6302LLB         |     | 1   |     |        |        |      |
| 075   | 318192-4  | GEAR HOUSING COVER           |     | 1   |     |        |        |      |
| 076   | 266304-2  | HEX. SOCKET HEAD BOLT M6X50  |     | 4   |     |        |        |      |
| 077   | 211107-9  | BALL BEARING 6201ZZ          |     | 1   |     |        |        |      |
| 078   | 158387-5  | HELICAL GEAR 37 COMPLETE     |     | 1   |     |        |        |      |
| 079   | 211107-9  | BALL BEARING 6201ZZ          |     | 1   |     |        |        |      |
| 080   | 256111-1  | PIN 6                        |     | 1   |     |        |        |      |
| 081   | 266304-2  | HEX. SOCKET HEAD BOLT M6X50  |     | 2   |     |        |        |      |

