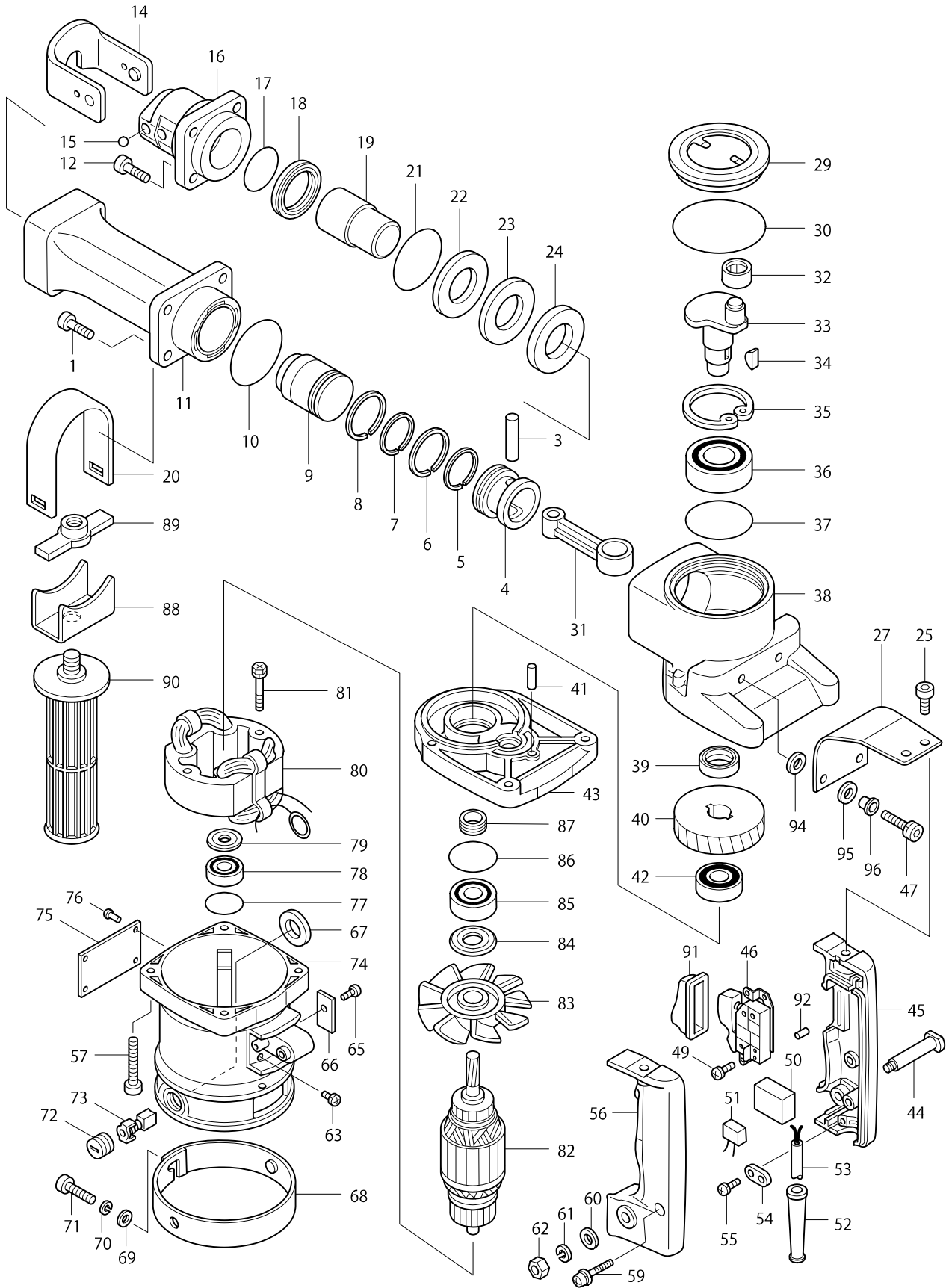


# Model No. HM1201 DEMOLITION HAMMER



# Model No. HM1201 DEMOLITION HAMMER

Item	Parts No.	Description	I/C	QTY	N/O	Opt. 1	Opt. 2	NOTE
001-1	922451-6	HEX. SOCKET HEAD BOLT M8X30		4				
003	256120-0	PIN 10		1				
004	321441-0	PISTON		1				
005	341862-0	INNER RING 36		1				
006	412049-2	PISTON RING 40		1				
007	341862-0	INNER RING 36		1				
008	412049-2	PISTON RING 40		1				
009	321447-8	STRIKER		1				
010	213655-4	O RING 56		1				
011-1	151310-9	BARREL COMPLETE		1				
C10	331331-9	CYLINDER LINER 40		1				
012-1	922451-6	HEX. SOCKET HEAD BOLT M8X30		4				
014	164617-4	TOOL RETAINER		1				
015	216003-6	STEEL BALL 10		1				
016-2	321440-2	TOOL HOLDER		1				
017	213464-1	O RING 34		1				
018-1	213472-2	X RING 35		1				
019-2	322107-5	IMPACT BOLT		1				
020	341861-2	GRIP CLAMP		1				
021	213604-1	O RING 50		1				
022	253845-7	FLAT WASHER 31		1				
023	261054-4	NYLON WASHER 32		1				
024-2	267058-4	FLAT WASHER 32		1				
025-3	922316-2	HEX. SOCKET HEAD BOLT M6X14		2				
027-1	343755-7	CUSHION PLATE		2				
029-3	150369-3	CRANK CAP COMPLETE		1	*			
C10	810712-5	CAUTION LABEL		1	*			
029-4	414218-1	CRANK CAP	O	1				
030	213754-2	O RING 71		1				
031	315419-3	CONNECTING ROD		1				
032	212208-6	NEEDLE BEARING 1516		1				
033	152180-9	CRANK SHAFT COMPLETE		1				
C10	216114-7	INNER SLEEVE 1216		1				
034	254001-2	WOODRUFF KEY 4		2				
035	962251-2	RETAINING RING R-52		1				
036-1	211327-5	BALL BEARING 6304LLU		1				
037	213656-2	O RING 53		1				
038-1	156863-3	CRANK HOUSING COMPLETE		1				
D10		INC. 37						
039	213306-9	OIL SEAL 20		1				
040	221701-9	HELICAL GEAR 50		1				
041	256111-1	PIN 6		1				
042	211209-1	BALL BEARING 6202		1				
043	157072-7	GEAR HOUSING		1				
D10		INC. 86						
044	321210-9	HANDLE SHAFT		1				
045-2	182077-8	HANDLE SET		1				
C10	263002-9	RUBBER PIN 4		2				

# Model No. HM1201 DEMOLITION HAMMER

Item	Parts No.	Description	I/C	QTY	N/O	Opt. 1	Opt. 2	NOTE
D10		INC. 56						
046-2	651145-3	SWITCH C3D-H-MS		1				
047-4	265914-2	HEX. SOCKET HEAD BOLT M6X25		2				
049-1	911129-6	PAN HEAD SCREW M4X16		1				
052	682506-6	CORD GUARD 12-90		1				
053R1	691346-1	POWER SUPPLY CORD 1.25-3-5.0		1				
054-1	687034-6	STRAIN RELIEF		1				
055-3	911133-5	PAN HEAD SCREW M4X18		2				
056-2	182077-8	HANDLE SET		1				
C10	263002-9	RUBBER PIN 4		2				
D10		INC. 45						
057-1	922366-7	HEX. SOCKET HEAD BOLT M6X45		4				
059-1	911243-8	PAN HEAD SCREW M5X25		2				
060	941151-9	FLAT WASHER 6		1				
061	942151-2	SPRING WASHER 6		1				
062	931302-2	HEX. NUT M6		1				
063	652014-1	PAN HEAD SCREW M4X8		1				
067	681002-1	INSULATION WASHER		2				
068	341741-2	HOLDER BAND		1				
069	941151-9	FLAT WASHER 6		1				
070-1	942151-2	SPRING WASHER 6		1				
071-2	922317-0	HEX. SOCKET HEAD BOLT M6X14		1				
072	643650-4	BRUSH HOLDER CAP 6.5-13.5		2				
073	181048-2	A.C. CARBON BRUSH CB-155		1	*			
073-1	194987-7	CARBON BRUSH SET CB-155	<	1				
074	156862-5	MOTOR HOUSING		1				
C10	643653-8	BRUSH HOLDER 6.5-13.5		2				
C20	913206-0	SET SCREW M5X8		2				
D10		INC. 77						
075	855024-9	NAME PLATE HM1201		1				
076	953106-2	RIVET 0-5		4				
077	213406-5	O RING 30		1				
078-2	211066-7	BALL BEARING 6200LLB		1	*			
078-3	211087-9	BALL BEARING 6200DDW	X	1				
079	213051-6	DUST SEAL 10		1				
080C_	524633-2	FIELD ASS'Y 220V		1				
C10	654020-2	RING TERMINAL		2				
C20	654502-4	CONNECTOR P-2		2				
081-2	265347-1	+ HEX. BOLT M5X45		2				
082C_	514718-2	ARMATURE ASS'Y 220V		1	*			
D10		INC. 78,79,82-85			*			
082C1	514718-2	ARMATURE ASS'Y 220V	O	1				
D10		INC. 78,79,82-85						
083	241638-4	FAN 94		1				
084	213202-1	DUST SEAL 15		1				
085	211206-7	BALL BEARING 6202LLB		1				
086	213460-9	O RING 35		1				
087	331180-4	SEAL		1				

