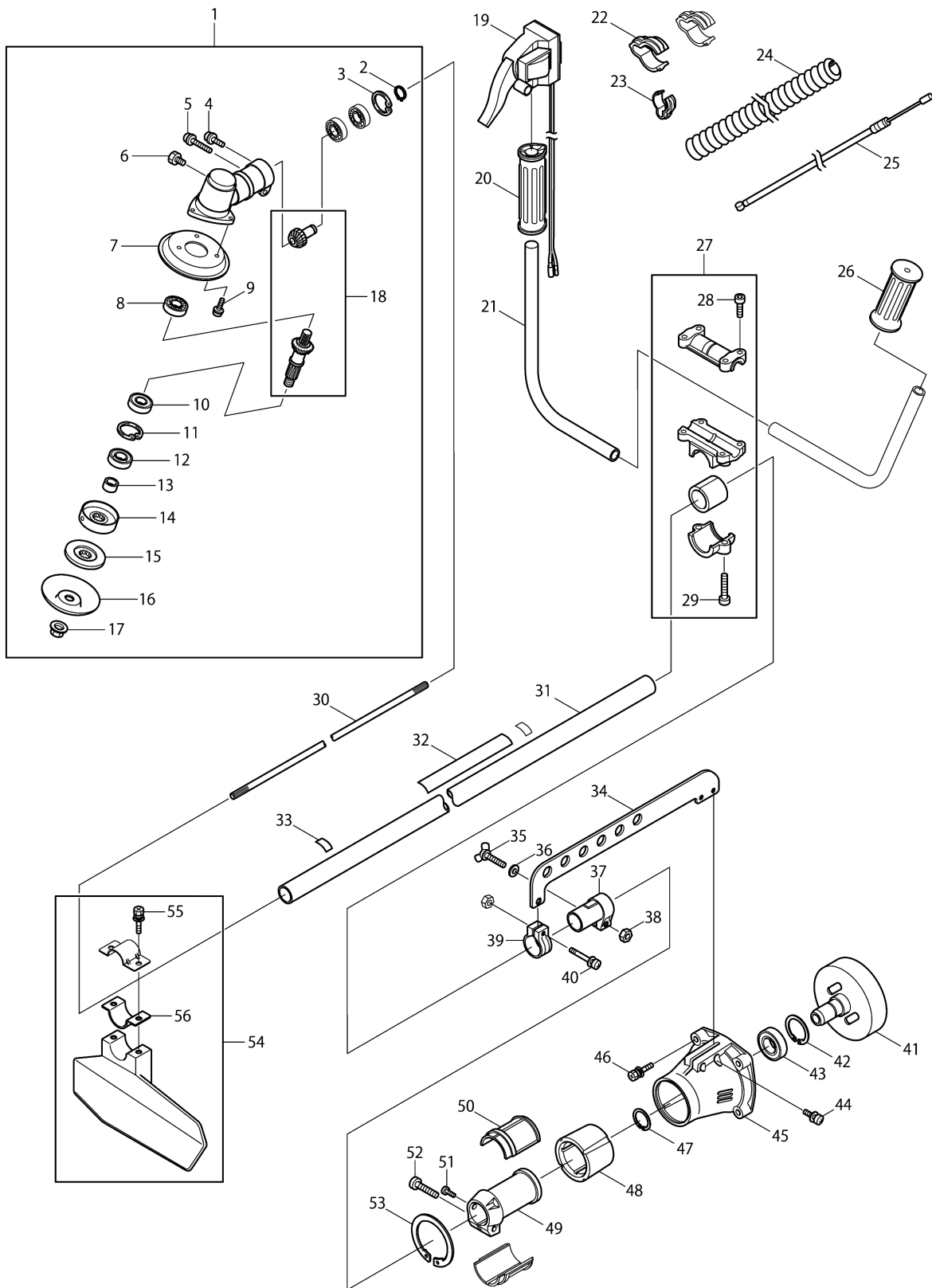
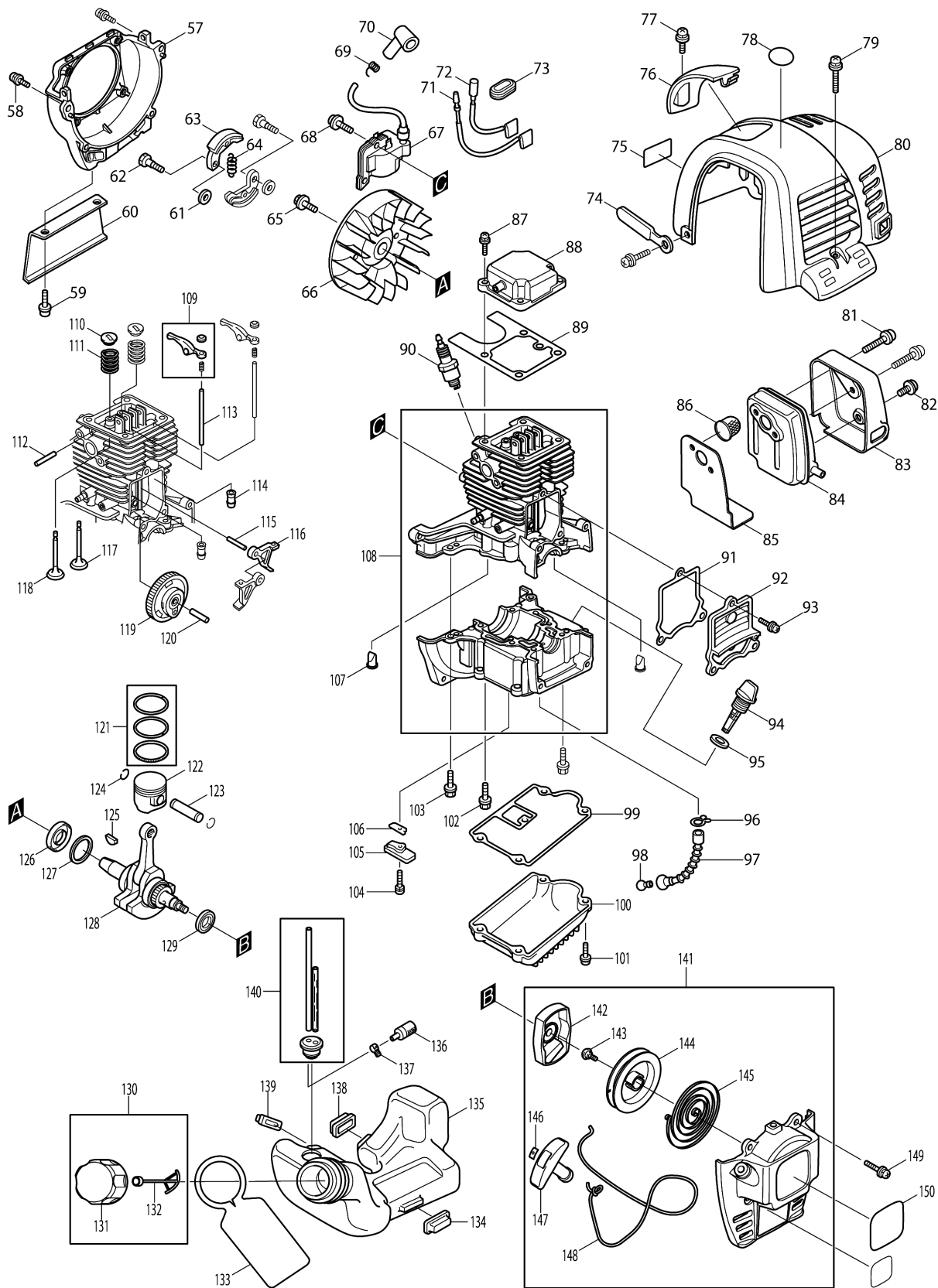


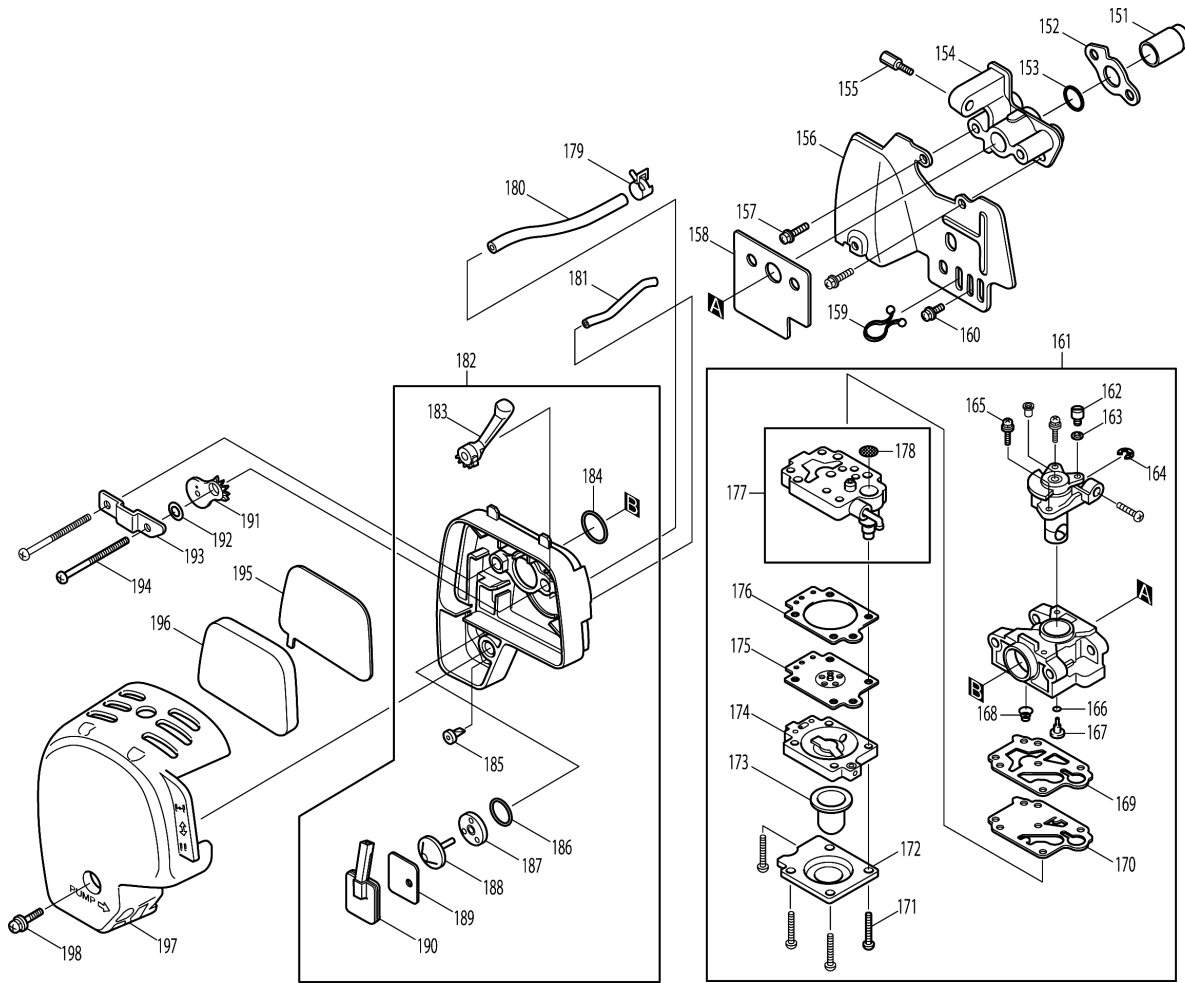
# Model No.EBH340U BRUSH CUTTER



# Model No.EBH340U BRUSH CUTTER



# Model No.EBH340U BRUSH CUTTER



## Model No.EBH340U BRUSH CUTTER

Item	Parts No.	Description	I/C	QTY	New/Old	Opt. 1	Opt. 2	NOTE
001-1	125922-4	GEAR CASE ASSEMBLY		1				
C10	ME0B011100	GEAR CASE		1				
D10		INC. 2-18						
002-1	961052-5	RETAINING RING S-12		1				
003-1	962106-1	RETAINING RING R-28		1				
004-1	266646-4	PAN HEAD SCREW M5X10		1				
005-1	266649-8	SOCKET HEAD BOLT M6X30		1				
006-1	266650-3	OIL BOLT M6X8		1				
007-1	346402-9	GUARD		1				
008-2	211148-5	BALL BEARING 6001ZZ		3				
009-1	266645-6	PAN HEAD SCREW M4X8		3				
010-2	211209-1	BALL BEARING 6202		1				
011-1	962153-2	RETAINING RING R-35		1				
012-1	213592-2	OIL SEAL 22		1				
013-1	452641-2	SPACER		1				
014-1	331938-1	RECEIVE WASHER		1				
015-1	346404-5	CLAMP WASHER		1				
016-1	346406-1	CUP		1				
017-1	264052-7	NUT M10		1				
018-1	125923-2	CUTTER SHAFT ASSEMBLY		1				
019-1	125925-8	CONTROL LEVER ASSEMBLY		1				
020-1	273670-0	GRIP		1				
021-1	452642-0	HANDLE		2				
022-1	452640-4	WIRE CLAMP		2				
023-1	452639-9	WIRE CLAMP		1				
024-1	422071-1	CABLE TUBE		1				
025-1	353019-1	CONTROL CABLE		1				
026-1	273669-5	GRIP		1				
027-1	125924-0	HANDLE HOLDER ASSEMBLY		1				
D10		INC. 28,29						
028-1	266805-0	H.S.H.BOLT M5X25 WITH W		4				
029-1	266649-8	SOCKET HEAD BOLT M6X30		2				
030-1	326033-0	SHAFT		1				
031-1	140819-6	SHAFT PIPE COMPLETE		1				
032-1	892407-2	CAUTION LABEL		1	*			
032-2	818F76-7	CAUTION LABEL	<	1				
033-1	808723-2	CAUTION LABEL		1				
034	6347500200	HANGER		1				
035	0122059960	BUTTERFLY SCREW M5X25		1				
036	0200059900	WASHER M5		1				
037-1	452643-8	HANGER STOPPER		1				
038	0023405000	NUT M5		2				
039-1	452644-6	HANGER HOLDER		1				
040	0043605303	SCREW ASSY M5X30 (W,SW)		1				
041-2	140820-1	CLUTCH DRUM COMPLETE		1				
042-1	962153-2	RETAINING RING R-35		1				
043-2	211206-7	BALL BEARING 6202LLB		1				

## Model No.EBH340U BRUSH CUTTER

Item	Parts No.	Description	I/C	QTY	New/Old	Opt. 1	Opt. 2	NOTE
044-1	266647-2	PAN HEAD SCREW M5X12		2				
045-1	318713-2	CLUTCH CASE		1				
046-1	266649-8	SOCKET HEAD BOLT M6X30		4				
047-1	257967-5	RETAINING RING (EXT) 15		1				
048-1	424400-4	DAMPER PIPE		1				
049-1	318698-2	BRACKET PIPE		1				
050-1	452638-1	SPACER		2				
051-1	266647-2	PAN HEAD SCREW M5X12		1				
052-1	266649-8	SOCKET HEAD BOLT M6X30		1				
053-1	257966-7	RETAINING RING (INT) 55		1				
054-1	125926-6	PROTECTOR ASSEMBLY		1				
D10		INC. 55,56						
055-1	266648-0	SOCKET HEAD BOLT M6X20		2				
056-1	346405-3	PROTECTOR CLAMP		2				
057-1	318614-4	BLOWER HOUSING		1				
058-1	266813-1	H.S.H.BOLT M5X16 WITH WR		4				
059-1	266647-2	PAN HEAD SCREW M5X12		2				
060-1	346447-7	STAND		1				
061-1	253762-1	FLAT WASHER 8		2				
062-2	266571-9	SHOULDER HEX. BOLT M8X23		2				
063-2	125757-3	CLUTCH ASSEMBLY		1				
C10	AN04002000	CLUTCH SHOE		2				
D10		INC. 64						
064-3	AN02010C00	TENSION SPRING 9		1				
065-1	265577-4	HEX HEAD BOLT M6X16		1				
066-2	319035-3	FLYWHEEL		1				
067-2	168816-0	IGNITION COIL		1				
068	0043704200	SCREW ASS'Y M4X20		2				
069-1	324891-8	PLUG CAP SPRING		1				
070-1	424105-6	PLUG CAP		1				
071-2	632E38-3	LEAD UNIT		1				
072-2	632E39-1	LEAD UNIT		1				
073-1	424313-9	GROMMET		1				
074-1	345963-6	CLAMP		1				
076-1	451876-2	PLUG COVER		1				
077-1	266572-7	+ TRUSS HEAD SCREW M5X8		1				
078	5929505400	LABEL		1				
079-1	266808-4	P.H.SCREW M5X12 WITH WR		3				
080-3	451875-4	CYLINDER COVER		1				
081-1	266440-4	HEX SOCKET HEAD BOLT M5X40		2				
082	0140059962	SCREW M5X5		1				
083-1	345915-7	MUFFLER COVER		1				
084-1	168469-5	EXHAUST MUFFLER		1				
085-1	345916-5	MUFFLER GASKET		1				
086-1	324980-9	SPARK ARRESTER		1				
087-1	266494-1	+ PAN HEAD SCREW M5X16		4				

## Model No.EBH340U BRUSH CUTTER

Item	Parts No.	Description	I/C	QTY	New/Old	Opt. 1	Opt. 2	NOTE
088-1	140419-2	ROCKER COVER COMPLETE		1				
089-1	162307-3	ROCKER COVER GASKET		1				
090-1	168401-9	SPARK PLUG		1				
091-1	162274-2	CAM GEAR COVER GASKET		1				
092-1	318443-5	CAM GEAR COVER		1				
093	0043605140	SCREW ASS'Y M5X14		3				
094-1	450565-6	OIL GAUGE		1				
095-1	424100-6	GASKET		1				
096-1	282020-8	HOSE CLAMP		1				
097-1	424202-8	OIL TUBE		1				
098-1	325666-8	OIL WEIGHT		1				
099-1	162308-1	CASE GASKET		1				
100-1	318612-8	OIL CASE		1				
101	0043605180	SCREW ASS'Y M5X18		4				
102-1	266573-5	HEX. SOCKET HEAD BOLT M5X33		4				
103-1	922222-1	HEX. SOCKET HEAD BOLT M5X16		4				
104-1	266810-7	H.S.H.BOLT M4X10		1				
105-1	318440-1	RETAINER PLATE		1				
106-1	346083-9	LEAD VALVE		1				
107-1	424201-0	CHECK VALVE		2				
108-2	123992-7	CYLINDER BLOCK ASSEMBLY		1				
D10		INC. 102,103,107,114						
109-1	125554-7	ROCKER ARM ASSEMBLY		2				
110-1	325912-9	SPRING RETAINER		2				
111-2	234181-0	COMPRESSION SPRING 11		2				
112-1	256200-2	PIN 5		1				
113-1	256866-8	ROD 2.5		2				
114-1	424200-2	SPACER		2				
115-1	268239-3	PIN 4		1				
116-1	313169-4	CAM LIFTER		2				
117-1	325913-7	EXHAUST VALVE		1				
118-1	325914-5	INTAKE VALVE		1				
119-1	125552-1	CAM GEAR ASSEMBLY		1				
120-1	268238-5	PIN 5		1				
121-1	195141-6	PISTON RING SET		1				
122-2	197454-1	PISTON SET		1				
C10	318613-6	PISTON		1				
D10		INC. 121,124						
123-1	257796-6	PISTON PIN		1				
124-1	233983-1	CLIP		2				
125-1	254040-2	WOODRUFF KEY 3		1				
126-1	213537-0	OIL SEAL 12		1				
127-1	267425-3	FLAT WASHER 26		1				
128-2	125756-5	CRANKSHAFT ASSEMBLY		1				
129-2	213769-9	OIL SEAL 10		1				
130-1	125472-9	FUEL TANK CAP ASSEMBLY		1	*			

## Model No.EBH340U BRUSH CUTTER

Item	Parts No.	Description	I/C	QTY	New/Old	Opt. 1	Opt. 2	NOTE
D10		INC. 131,132			*			
130-2	127108-6	FUEL TANK CAP ASSEMBLY	O	1				
D10		INC. 131,132						
131-1	140435-4	FUEL TANK CAP		1	*			
131-2	127109-4	FUEL TANK CAP ASSEMBLY	O	1				
132-1	140436-2	STRAP COMPLETE		1				
133-1	810455-9	CAUTION PLATE		1				
134-1	424104-8	DAMPER		1				
135-1	451877-0	FUEL TANK		1				
136-2	163447-0	FUEL FILTER		1				
137-1	345920-4	HOSE CLAMP		1				
138-1	424103-0	PLATE		1				
139-1	424102-2	PLATE		1				
140-1	162309-9	TUBE		1				
141-1	195142-4	RECOIL STARTER SET		1				
D10		INC. 142-148						
142-2	168827-5	PULLEY		1				
143-1	266580-8	TAPPING SCREW 5X10		1				
144-1	451923-9	REEL		1				
145-1	232257-7	SPIRAL SPRING		1				
146-1	424360-0	ROPE STOPPER		1				
147-1	424317-1	STARTER KNOB		1				
148-1	444018-5	STARTER ROPE		1				
149-1	266809-2	P.H.SCREW M5X14 WITH WR		4				
150-1	816447-6	EBH340U MODEL NO. LABEL		1				
151-1	325915-3	INTAKE PIPE		1				
152-1	413120-5	INSULATOR GASKET		1				
153-2	213063-9	O RING 10		1				
154-1	451874-6	INSULATOR		1				
155-1	325663-4	ADJUST SCREW		1				
156-2	346261-1	CARBURETOR INSULATOR		1				
157-1	266787-6	H.S.H.BOLT M5X18 WITH WR		2				
158-1	413138-6	CARBURETOR GASKET		1				
159-1	450562-2	CLAMP		1				
160-1	922213-2	H.S.H.BOLT M5X12 WITH WR		1				
161-1	168561-7	CARBURETOR		1	*			
D10		INC. 162-177			*			
161-2	168561-7	CARBURETOR	<	1				
D10		INC. 162-177						
162-1	325922-6	SWIVEL		1				
163-1	413140-9	WASHER		1				
164-1	257964-1	STOP RING E-3		1				
165-2	WJ00096364	SCREW M3X8 WITH WASHER		2				
166-1	213538-8	O RING 2		1				
167-1	325921-8	JET		1	*			
167-2	5926007011	JET #36.5	<	1				

Please order the parts with part number.

Print Date 2022/12/15

## Model No.EBH340U BRUSH CUTTER

Item	Parts No.	Description	I/C	QTY	New/Old	Opt. 1	Opt. 2	NOTE
168-1	234183-6	CONICAL COMPRESSION SPRING 5-9		1				
169-1	442155-9	PUMP GASKET		1				
170-2	WJ00009599	PUMP DIAPHRAGM		1				
171-1	266582-4	TAPPING SCREW 3X24		4				
172-1	346270-0	PRIMER PUMP COVER		1				
173-1	424314-7	PRIMER PUMP		1				
174-1	140438-8	AIR PURGE BODY		1				
175-3	WJ00095586	DIAPHRAGM ASS'Y		1	*			
175-4	168620-7	METERING DIAPHRAGM	<	1				
176-1	442154-1	METERING DIAPHRAGM GASKET		1				
177-1	140437-0	PUMP BODY		1				
D10		INC. 178						
178-2	WJ00014070	INLET SCREEN		1				
179-1	345918-1	HOSE CLAMP		1				
180-1	422055-9	BREATHER PIPE		1				
181-1	422042-8	PIPE		1				
182-1	125468-0	CLEANER PLATE ASSEMBLY		1				
D10		INC. 183-190						
183-1	451925-5	CHOKE LEVER		1				
184-1	213540-1	O RING 15		1				
185-1	424316-3	CHECK VALVE		1				
186-1	213539-6	O RING 14		1				
187-1	451924-7	CHECK VALVE PLATE		1				
188-1	424315-5	CHECK VALVE		1				
189-1	168577-2	SEPARATOR GASKET		1				
190-1	168576-4	SEPARATOR PLATE		1				
191-1	450560-6	CHOKE PLATE		1				
192-1	423376-2	GASKET		1				
193-1	345919-9	PLATE		1				
194-1	265188-5	+PAN HEAD SCREW M5X68		2				
195-1	443140-5	AIR CLEANER ELEMENT		1				
196-1	443141-3	AIR CLEANER ELEMENT		1				
197-1	450561-4	AIR CLEANER COVER		1				
198-1	266809-2	P.H.SCREW M5X14 WITH WR		1				
199-1	267832-0	WAVE WASHER 10		2				
206-1	814E64-6	SERIAL NO. LABEL		1				
A01-1	194904-7	TOOL SET		1				
A02-1	783232-1	HEX. WRENCH 5		1				
A03-1	783223-2	HEX. WRENCH 4		1				
A04-1	125761-2	BAND ASSEMBLY		1				
A05	6349506300	INSTRUCTION MANUAL		1				
A06-1	242072-1	OIL BOTTLE		1				
A09-1	456924-2	TOOL COVER		1				
E01	819432-8	CAUTION TAG		1				