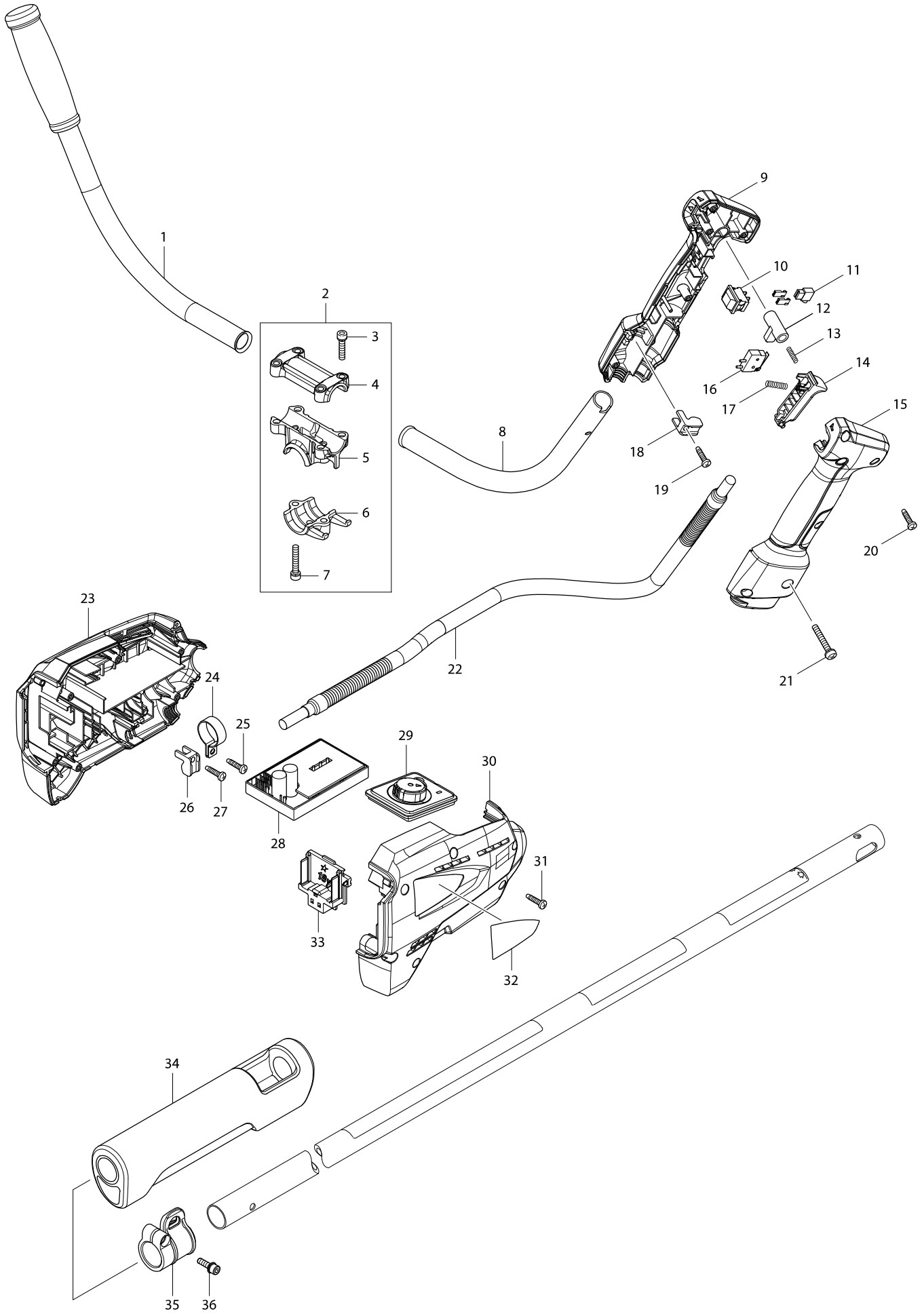
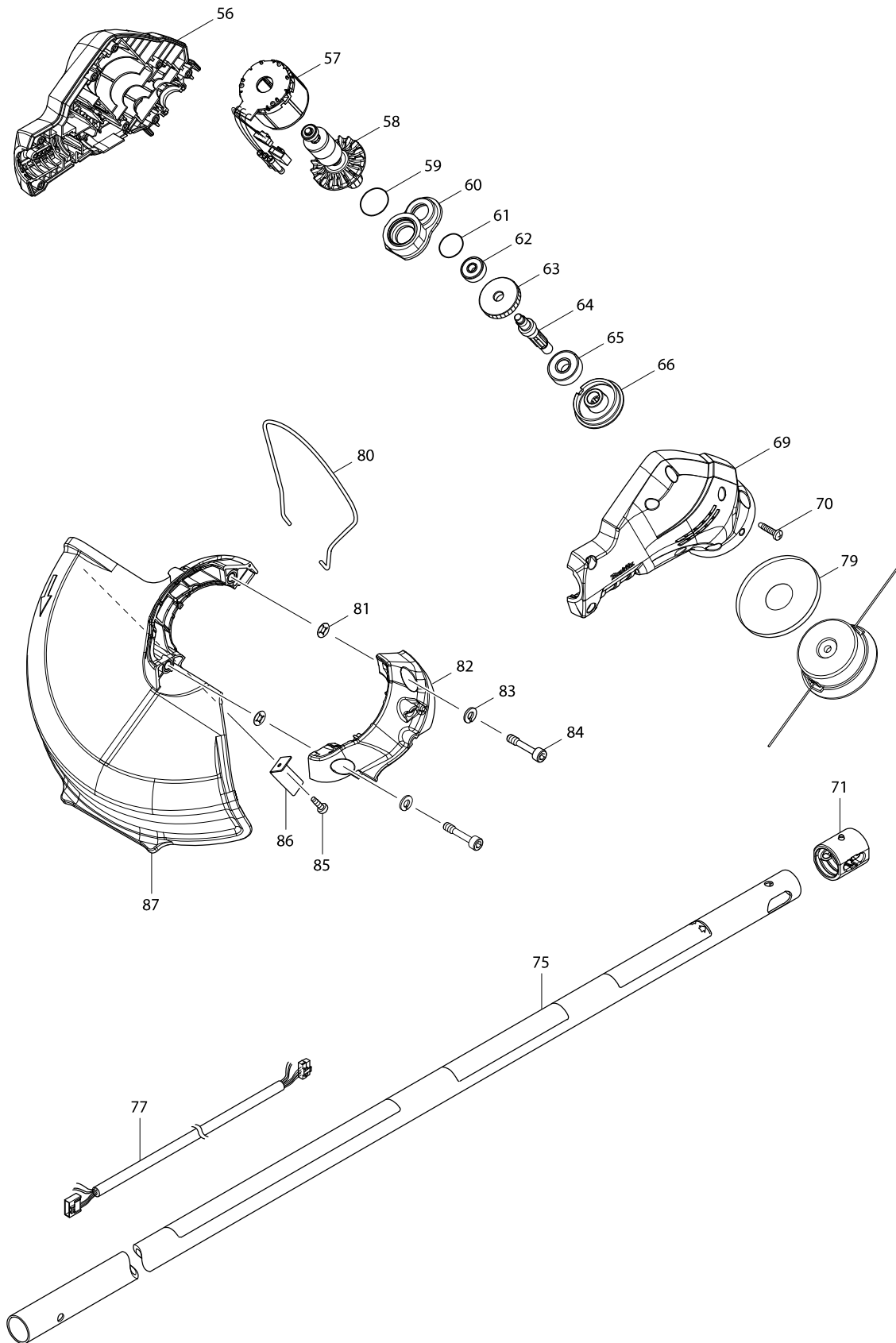


Model No. DUR182U CORDLESS GRASS TRIMMER



Model No. DUR182U CORDLESS GRASS TRIMMER



Model No. DUR182U CORDLESS GRASS TRIMMER

Item	Parts No.	Description	I/C	QTY	N/O	Opt. 1	Opt. 2	NOTE
001	158659-8	HANDLE COMPLETE		1				
C10	273526-7	GRIP 18		1				
002	135395-3	HANDLE HOLDER ASS'Y		1				
D10		INC. 3-7						
003	922241-7	HEX. SOCKET HEAD BOLT M5X25		4				
004	318272-6	HANDLE HOLDER 1		1				
005	318273-4	HANDLE HOLDER 2		1				
006	318274-2	HANDLE HOLDER 3		1				
007	922251-4	HEX. SOCKET HEAD BOLT M5X30		2				
008	332068-1	HANDLE 19		1				
009	187587-0	MAIN GRIP SET		1				
D10		INC. 15						
010	651533-4	SWITCH SLE6A2-33		1				
011	686015-7	RECEPTACLE SLEEVE		1				
012	454298-5	LOCK OFF BUTTON		1				
013	233114-2	COMPRESSION SPRING 4		1				
014	454295-1	SWITCH LEVER		1				
015	187587-0	MAIN GRIP SET		1				
D10		INC. 9						
016	650704-0	SWITCH D2SW-P01L1-3M		1				
017	234003-4	COMPRESSION SPRING 5		1				
018	687261-5	STRAIN RELIEF		1				
019	265995-6	TAPPING SCREW 4X18		1				
020	265995-6	TAPPING SCREW 4X18		5				
021	911256-9	PAN HEAD SCREW M5X35		1				
022	699060-3	POWER SUPPLY CORD UNIT		1				
023	187665-6	HOUSING SET		1				
C10	263005-3	RUBBER PIN 6		2				
D10		INC. 30						
024	346248-3	CLAMP 24		1				
025	265995-6	TAPPING SCREW 4X18		1				
026	687261-5	STRAIN RELIEF		1				
027	265995-6	TAPPING SCREW 4X18		1				
028	620196-7	CONTROLLER A		1				
029	142134-4	SUB CONTROLLER COMPLETE		1				
030	187665-6	HOUSING SET		1				
C10	263005-3	RUBBER PIN 6		2				
D10		INC. 23						
031	265995-6	TAPPING SCREW 4X18		6				
032	815M97-2	DUR182U NAME PLATE		1				
033	644808-8	TERMINAL		1				
034	424463-0	CUSHION		1				
035	168478-4	HANGER		1				
036	922228-9	H.S.H.BOLT M5X18 WITH WR		1				
056	187585-4	MOTOR HOUSING SET		1				
D10		INC. 69						
057	629985-7	STATOR		1				
058	619324-9	ROTOR		1				

