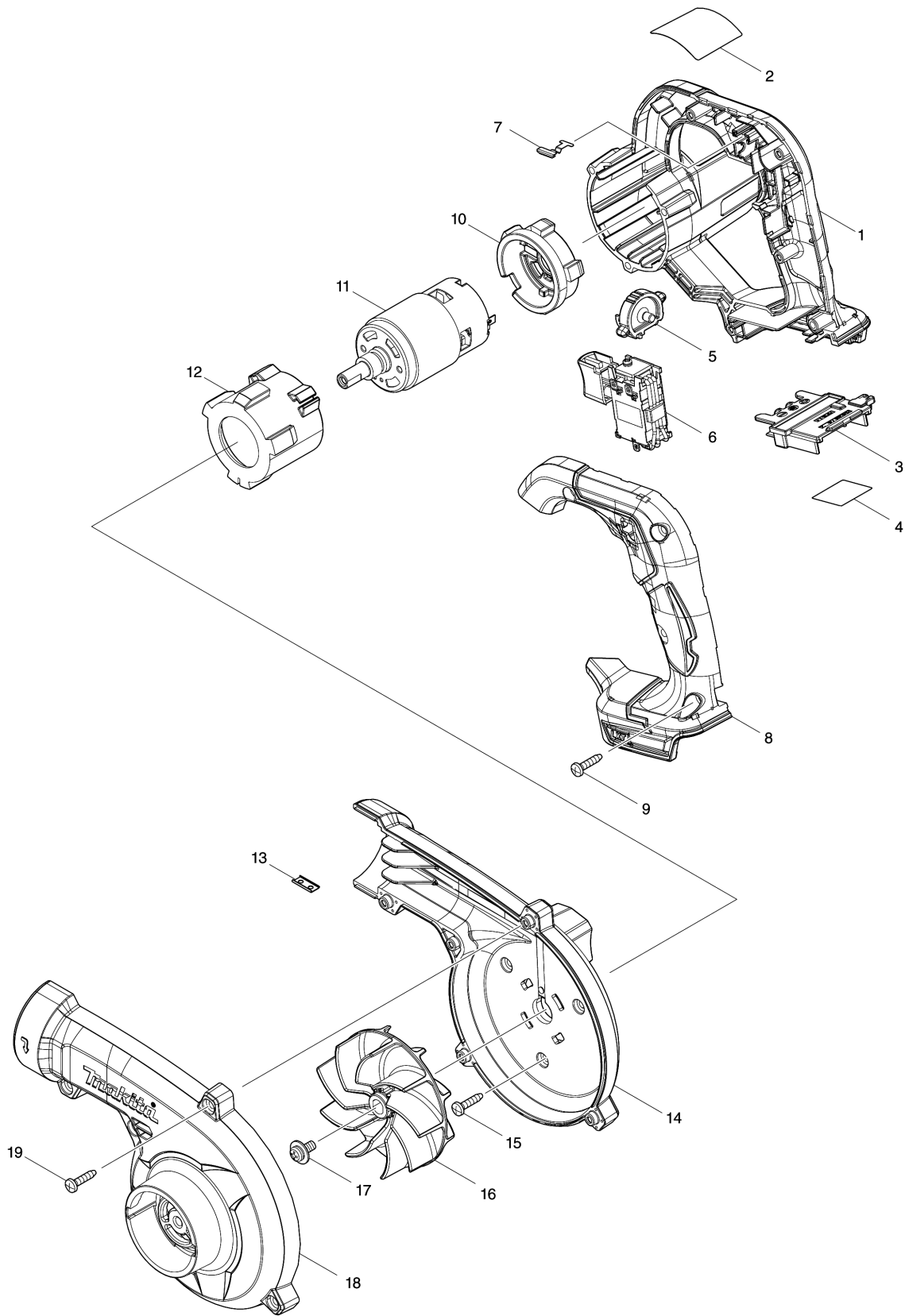


Model No.DUB185 CORDLESS BLOWER



Model No.DUB185 CORDLESS BLOWER

| Item  | Parts No. | Description                  | I/C | QTY | New/Old | Opt. 1 | Opt. 2 | NOTE |
|-------|-----------|------------------------------|-----|-----|---------|--------|--------|------|
| 001   | 183P63-8  | MOTOR HOUSING SET            |     | 1   |         |        |        |      |
| D10   |           | INC. 8                       |     |     |         |        |        |      |
| 002   | 856X26-2  | DUB185 NAME PLATE            |     | 1   |         |        |        |      |
| 003   | 643874-2  | TERMINAL                     |     | 1   |         |        |        |      |
| 004   | 856X33-5  | DUB185 SERIAL NO. LABEL      |     | 1   |         |        |        |      |
| 005   | 412573-5  | DIAL                         |     | 1   |         |        |        |      |
| 006   | 632P92-3  | SWITCH UNIT                  |     | 1   | *       |        |        |      |
| 006-1 | 632R68-2  | SWITCH UNIT                  | <   | 1   |         |        |        |      |
| 007   | 232620-4  | LEAF SPRING                  |     | 1   |         |        |        |      |
| 008   | 183P63-8  | MOTOR HOUSING SET            |     | 1   |         |        |        |      |
| D10   |           | INC. 1                       |     |     |         |        |        |      |
| 009   | 266326-2  | TAPPING SCREW 4X18           |     | 5   |         |        |        |      |
| 010   | 422589-2  | MOTOR RUBBER RING B          |     | 1   |         |        |        |      |
| 011   | 629484-9  | DC MOTOR                     |     | 1   |         |        |        |      |
| 012   | 422588-4  | MOTOR RUBBER RING A          |     | 1   |         |        |        |      |
| 013   | 345998-7  | SET PLATE                    |     | 1   |         |        |        |      |
| 014   | 140U56-8  | FAN HOUSING COMPLETE         |     | 1   |         |        |        |      |
| C10   | 8012T7-9  | CAUTION LABEL                |     | 1   |         |        |        |      |
| 015   | 266326-2  | TAPPING SCREW 4X18           |     | 3   |         |        |        |      |
| 016   | 240210-9  | FAN 85                       |     | 1   |         |        |        |      |
| 017   | 265B25-5  | PAN HEAD SCREW M5X12 WITH WG |     | 1   |         |        |        |      |
| 018   | 412572-7  | FAN COVER                    |     | 1   |         |        |        |      |
| 019   | 266326-2  | TAPPING SCREW 4X18           |     | 5   |         |        |        |      |
| A02   | 123245-4  | NOZZLE ASS'Y                 |     | 1   |         |        |        |      |
| C10   | 454703-2  | JOINT                        |     | 1   |         |        |        |      |
| E01   | 807950-8  | SOUND 95DB LABEL             |     | 1   |         |        |        |      |

Please order the parts with part number.

Print Date 2022/12/15