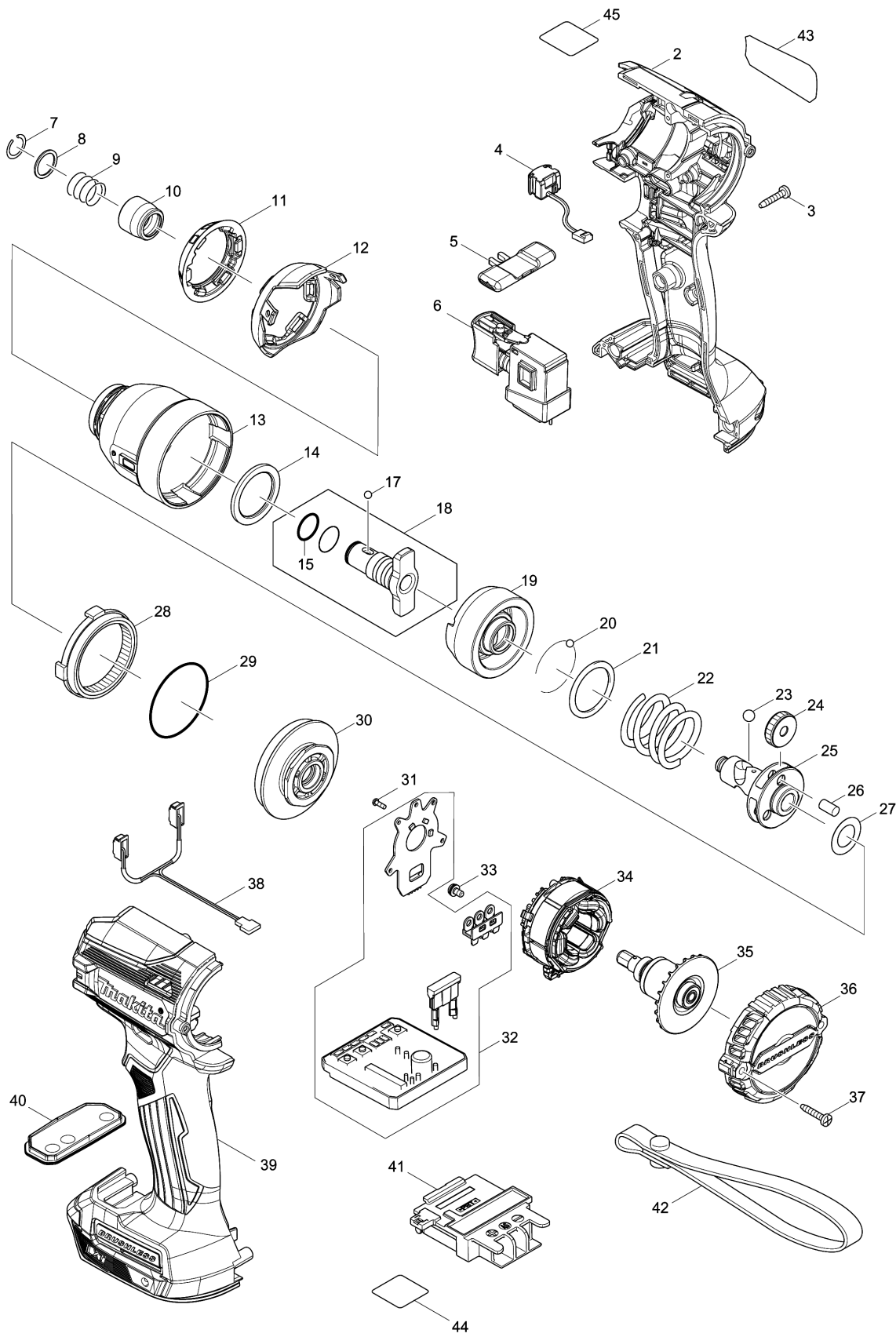


Model No.DTD171 CORDLESS IMPACT DRIVER



Model No.DTD171 CORDLESS IMPACT DRIVER

Item	Parts No.	Description	I/C	QTY	New/Old	Opt. 1	Opt. 2	NOTE
002A	183K87-4	HOUSING SET		1	*			
C10	263005-3	RUBBER PIN 6		2	*			
C20	252126-6	HEX. LOCK NUT M4-7		2	*			
D10		INC. 39			*			
002-1A	183N06-8	HOUSING SET	<	1				
C10	263005-3	RUBBER PIN 6		2				
C20	252126-6	HEX. LOCK NUT M4-7		2				
D10		INC. 39						
002-1B	183N06-8	HOUSING SET		1				
C10	263005-3	RUBBER PIN 6		2				
C20	252126-6	HEX. LOCK NUT M4-7		2				
D10		INC. 39						
003	266130-9	TAPPING SCREW BIND PT 3X16		8				
004	632L84-8	SWITCH UNIT		1				
005	455053-8	F/R CHANGE LEVER		1				
006	140B49-1	SWITCH COMPLETE		1				
C10	424496-5	SEAL		1				
007	231951-8	RING SPRING 11		1				
008	267085-1	FLAT WASHER 12		1				
009	233005-7	COMPRESSION SPRING 13		1				
010	326072-0	BIT SLEEVE		1				
011	422269-0	BUMPER		1				
012	458484-0	HAMMER CASE COVER		1				
013	140A51-8	HAMMER CASE COMPLETE		1				
014	261160-5	NYLON WASHER 30		1				
015	213118-0	O RING 12		2				
017	216001-0	STEEL BALL 3.5		2	*			
017-1	216040-0	STEEL BALL 3.5	O	2				
018	136063-1	ANVIL ASS'Y		1				
D10		INC. 15						
019	327114-3	HAMMER		1	*			
019-1	327750-5	HAMMER	O	1				
020	216001-0	STEEL BALL 3.5		24	*			
020-1	216040-0	STEEL BALL 3.5	O	24				
021	267175-0	FLAT WASHER 24		1				
022	232459-5	COMPRESSION SPRING 24B		1				
023	216011-7	STEEL BALL 5.6		2				
024	227338-0	SPUR GEAR 22		3				
025	327113-5	SPINDLE		1	*			
025-1	327751-3	SPINDLE	O	1				
026	268311-1	PIN 5		3				
027A	253314-8	THIN WASHER 15		1	*			
027-1A	253445-3	FLAT WASHER 15	O	1				
027-1B	253445-3	FLAT WASHER 15		1				
028	226182-2	INTERNAL GEAR 51		1				
029	213507-9	O RING 40		1				

Model No.DTD171 CORDLESS IMPACT DRIVER

Item	Parts No.	Description	I/C	QTY	New/Old	Opt. 1	Opt. 2	NOTE
030	143976-9	BEARING BOX COMPLETE		1				
031	266490-9	TAPPING SCREW PT 2X6		3				
032A	620848-0	CONTROLLER		1	*			
032-1A	620D48-6	CONTROLLER	O	1				
032-1B	620D48-6	CONTROLLER		1				
033	652069-6	FLAT HEAD SCREW M3X6		3				
034	629217-2	STATOR		1				
035	619408-3	ROTOR		1				
036	458478-5	REAR COVER		1				
037	266130-9	TAPPING SCREW BIND PT 3X16		2				
038	620849-8	LED CIRCUIT		1				
039A	183K87-4	HOUSING SET		1	*			
C10	263005-3	RUBBER PIN 6		2	*			
C20	252126-6	HEX. LOCK NUT M4-7		2	*			
D10		INC. 2			*			
039-1A	183N06-8	HOUSING SET	<	1				
C10	263005-3	RUBBER PIN 6		2				
C20	252126-6	HEX. LOCK NUT M4-7		2				
D10		INC. 2						
039-1B	183N06-8	HOUSING SET		1				
C10	263005-3	RUBBER PIN 6		2				
C20	252126-6	HEX. LOCK NUT M4-7		2				
D10		INC. 2						
040	140G40-9	SWITCH PLATE COMPLETE		1				
041	643860-3	TERMINAL		1				
043	855E98-0	DTD171 NAME PLATE		1				
044	855F05-9	DTD171 SERIAL NO. LABEL		1				
A01	266622-8	+ TRUSS HEAD SCREW M4X12		1				
A02	346317-0	HOOK		1				
A04B	450128-8	BATTERY COVER		1				
A05B	***DC18RC	DC18RC FAST CHARGER		1				
A06B	197280-8	BATTERY BL1850B SET		2				
A07B	821750-2	PLASTIC CASE		1				
C10	324679-6	SHAFT		1				
C20	458362-4	LATCH		3				
C30	458363-2	HANDLE		1				
C40	458364-0	PLASTIC CASE LID		1				
A08B	819T53-6	DTD171RTE PLASTIC CASE LABEL		2				

Please order the parts with part number.

Print Date 2022/12/15