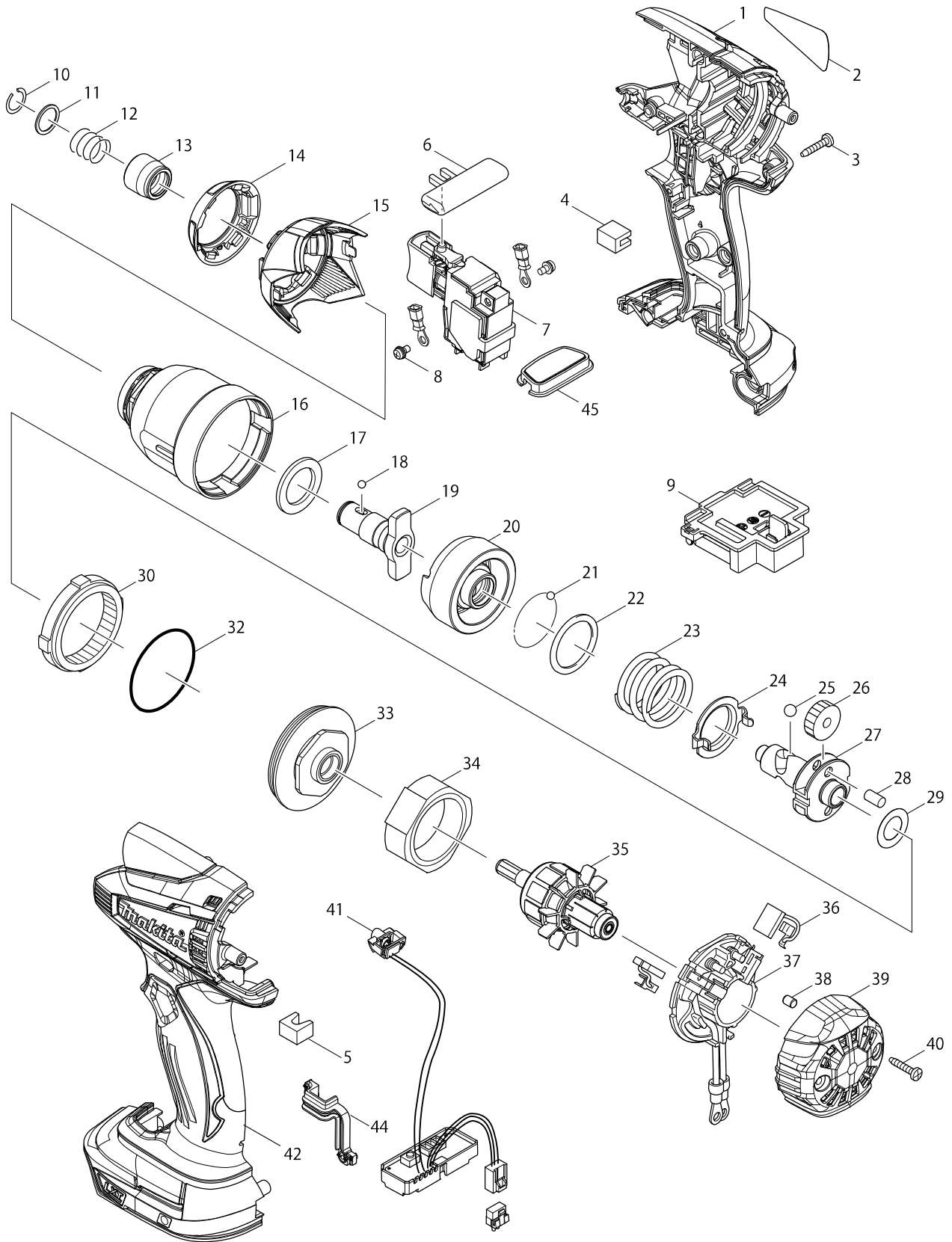


Model No. DTD146 CORDLESS IMPACT DRIVER



Model No. DTD146 CORDLESS IMPACT DRIVER

Item	Parts No.	Description	I/C	QTY	N/O	Opt. 1	Opt. 2	NOTE
001	187116-9	HOUSING SET		1				
C10	263005-3	RUBBER PIN 6		2				
D10		INC. 42						
002	815D17-2	DTD146 NAME PLATE		1				
003	266429-2	TAPPING SCREW 3X16		8				
004	423423-9	SPONGE B		1				
005	423422-1	SPONGE A		1				
006	419041-9	F/R CHANGE LEVER		1				
007	650722-8	SWITCH TG573FSB-1		1				
008	652045-0	+PAN HEAD SCREW M3.5X5		2				
009	643852-2	TERMINAL		1				
010	231951-8	RING SPRING 11		1				
011	267085-1	FLAT WASHER 12		1				
012	233005-7	COMPRESSION SPRING 13		1				
013	326068-1	BIT SLEEVE		1				
014	424429-0	BUMPER		1				
015	452837-5	HAMMER CASE COVER		1				
016	140946-9	HAMMER CASE COMPLETE		1				
017	261151-6	NYLON WASHER 19		1				
018-1	216040-0	STEEL BALL 3.5		2				
019	326067-3	ANVIL N		1				
020	326054-2	HAMMER		1				
021-1	216040-0	STEEL BALL 3.5		24				
022	267175-0	FLAT WASHER 24		1				
023	233430-2	COMPRESSION SPRING 24		1				
024	346466-3	PLATE		1				
025-1	216041-8	STEEL BALL 5.6		2				
026	227233-4	SPUR GEAR 22		2	*			
026-1	227362-3	SPUR GEAR 22	<	2				
027	326066-5	SPINDLE		1				
028	256253-1	PIN 5		2				
029	253362-7	THIN WASHER 12		1				
030	227150-8	INTERNAL GEAR 51		1				
032	213507-9	O RING 40		1				
033	158145-9	BEARING BOX COMPLETE		1				
034	638396-5	YOKE UNIT		1				
035-1	619372-8	ARMATURE		1				
036	195021-6	CARBON BRUSH CB-440		1				
037	638387-6	BRUSH HOLDER COMPLETE		1				
038	263032-0	RUBBER PIN 4		2				
039	452832-5	REAR COVER		1				
040	266429-2	TAPPING SCREW 3X16		2				
041	620052-1	LIGHT CIRCUIT		1				
042	187116-9	HOUSING SET		1				
C10	263005-3	RUBBER PIN 6		2				
D10		INC. 1						
044	424430-5	SEAL		1				
045	140963-9	SWITCH PLATE COMPLETE		1				

