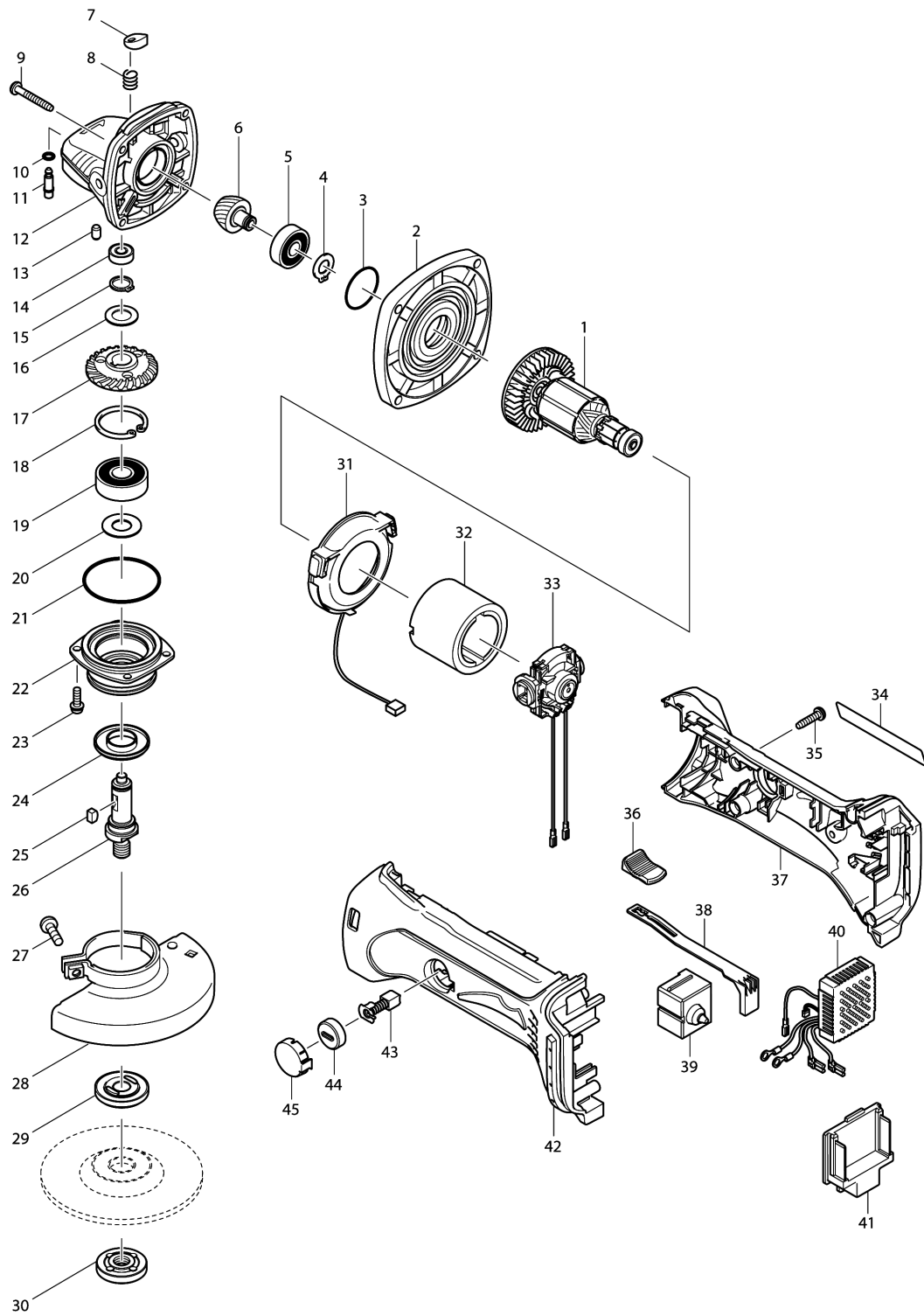


Model No.DGA402 CORDLESS ANGLE GRINDER 100MM



Model No.DGA402 CORDLESS ANGLE GRINDER 100MM

Item	Parts No.	Description	I/C	QTY	New/Old	Opt. 1	Opt. 2	NOTE
001	619218-8	ARMATURE		1				
C10	210039-7	BALL BEARING 695DDW		1	*			
C20	421977-0	RUBBER RING 13		1				
002	317821-6	GEAR HOUSING COVER		1				
003	213445-5	O-RING 26		1				
004	961005-4	RETAINING RING S-9		1				
005	210042-8	BALL BEARING 629LLB		1				
006	227501-5	SPIRAL BEVEL GEAR 19		1	*			
006-1	227959-8	SPIRAL BEVEL GEAR 19	S	1				
007	417771-6	PIN CAP		1				
008	233072-2	COMPRESSION SPRING 8		1				
009	266050-7	TAPPING SCREW 4X30		4				
010	213960-9	O RING 5		1				
011	256496-5	SHOULDER PIN 4		1				
012	318051-2	GEAR HOUSING		1				
013	263002-9	RUBBER PIN 4		1				
014	210033-9	BALL BEARING 696ZZ		1				
015	961052-5	RETAINING RING (EXT) S-12		1				
016	253744-3	FLAT WASHER 12		1				
017	227502-3	SPIRAL BEVEL GEAR 39		1	*			
017-1	227960-3	SPIRAL BEVEL GEAR 39	S	1				
018	962151-6	RETAINING RING R-32		1				
019	211129-9	BALL BEARING 6201DDW		1				
020	267238-2	FLAT WASHER 12		1				
021	213622-9	O RING 45		1				
022	317819-3	BEARING BOX		1				
023	911121-2	PAN HEAD SCREW M4X14		4				
024	345464-4	LABYRINTH RING		1				
025	254011-9	WOODRUFF KEY 4		1				
026	324488-3	SPINDLE		1				
027	265103-9	PAN HEAD SCREW M5X14		1				
028	135196-9	WHEEL COVER ASS'Y		1	*			
D10		INC. 27			*			
028-1	125266-2	WHEEL COVER 100 ASSEMBLY	O	1				
D10		INC. 27						
029	224314-5	INNER FLANGE 30		1				
030	224559-5	LOCK NUT 10-30		1				
031	631714-6	LED CIRCUIT		1				
032	638627-2	YOKE UNIT		1				
033	638448-2	ENDBELL COMPLETE		1				
034	815R68-9	DGA402 NAME PLATE		1				
035	265995-6	TAPPING SCREW 4X18		5				
036	419566-3	SWITCH KNOB		1				
037	187839-9	HOUSING SET		1				
C10	263005-3	RUBBER PIN 6		2				
D10		INC. 42						

Model No.DGA402 CORDLESS ANGLE GRINDER 100MM

Item	Parts No.	Description	I/C	QTY	New/Old	Opt. 1	Opt. 2	NOTE
038	419519-2	SWITCH LEVER		1				
039	650579-7	SWITCH 1246.3223		1				
040	620243-4	CONTROLLER		1				
041	644808-8	TERMINAL		1				
042	187839-9	HOUSING SET		1				
C10	263005-3	RUBBER PIN 6		2				
D10		INC. 37						
043	195018-5	CARBON BRUSH SET CB-430		1				
044	643954-4	BRUSH HOLDER CAP		2				
045	419518-4	HOLDER CAP COVER		2				
A01	782420-7	LOCK NUT WRENCH 20		1				
A02C	***DC18RC	DC18RC FAST CHARGER		1				
A03C	194204-5	BATTERY BL1830 SET		1	*			
A03-1C	194204-5	BATTERY BL1830 SET	O	1	*			
A03-2C	197600-6	BATTERY BL1830B SET	<	1	*			
A03-3C	197600-6	BATTERY BL1830B SET	O	1				
A05C	141257-5	PLASTIC CARRYING CASE		1				
C10	163455-1	LATCH		2				
A07	A-80852	GRINDING WHEEL 100X6X16		1				

Please order the parts with part number.

Print Date 2022/12/15