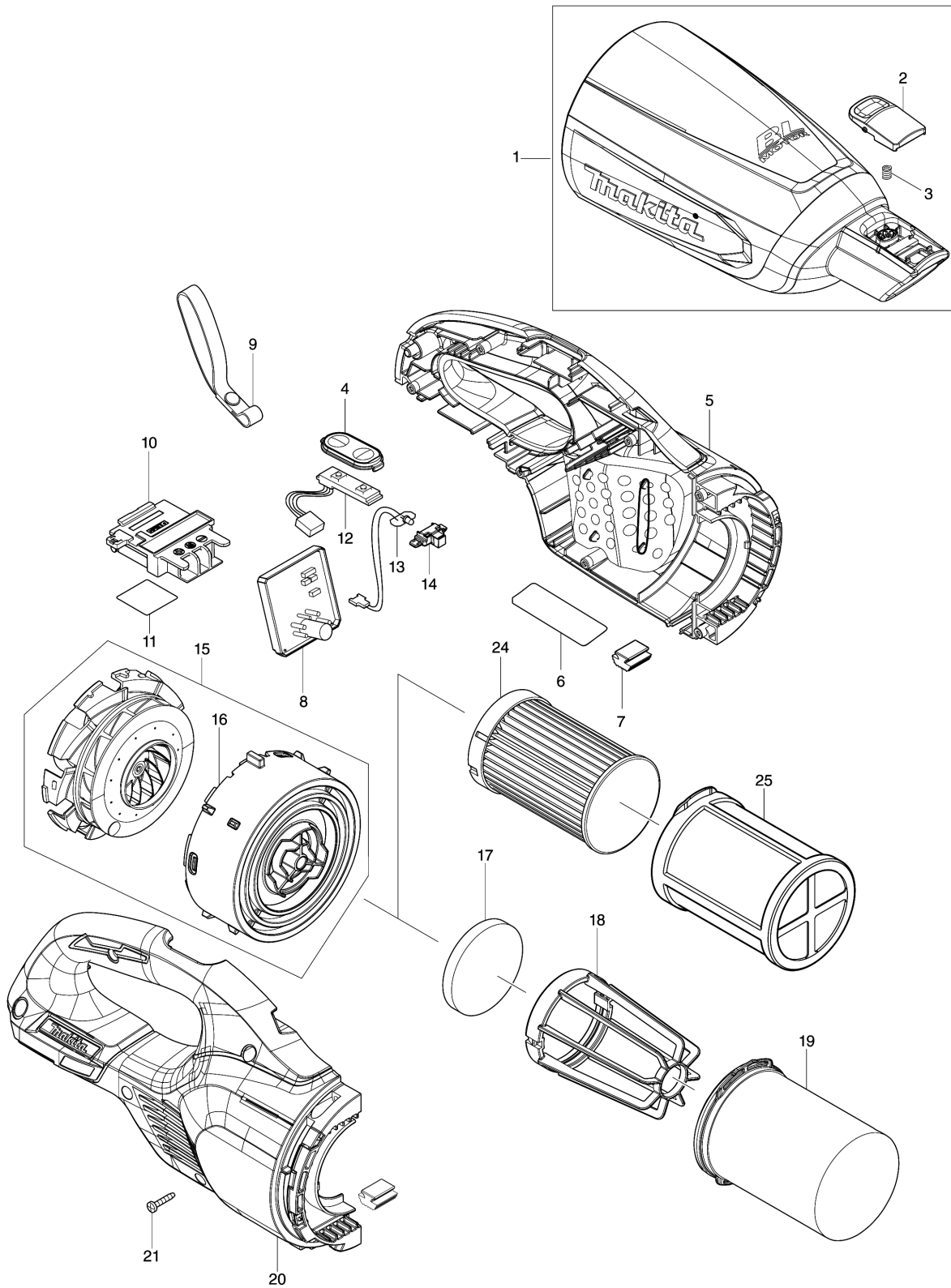


Model No.DCL281F CORDLESS CLEANER



## Model No.DCL281F CORDLESS CLEANER

| Item  | Parts No. | Description                 | I/C | QTY | New/Old | Opt. 1 | Opt. 2 | NOTE |
|-------|-----------|-----------------------------|-----|-----|---------|--------|--------|------|
| 001A  | 136105-1  | CAPSULE ASS'Y               |     | 1   |         |        |        |      |
| 001B  | 136096-6  | CAPSULE COMPLETE ASS'Y      |     | 1   |         |        |        |      |
| C10   | 266326-2  | TAPPING SCREW 4X18          |     | 1   | *       |        |        |      |
| C11   | 251530-6  | TAPPING SCREW 4X18          | S   | 1   |         |        |        |      |
| C20   | 424208-6  | VALVE                       |     | 1   |         |        |        |      |
| C30   | 941051-3  | FLAT WASHER 4               |     | 1   | *       |        |        |      |
| D10   |           | INC. 2,3                    |     |     |         |        |        |      |
| 002   | 458939-5  | BUTTON A                    |     | 1   |         |        |        |      |
| 003   | 232485-4  | COMPRESSION SPRING 5        |     | 1   |         |        |        |      |
| 004   | 144096-2  | SWITCH PLATE COMPLETE       |     | 1   |         |        |        |      |
| 005A  | 183M13-5  | HOUSING SET                 |     | 1   |         |        |        |      |
| 005B  | 183L71-5  | HOUSING SET                 |     | 1   |         |        |        |      |
| C10   | 263005-3  | RUBBER PIN 6                |     | 2   |         |        |        |      |
| C20   | 422458-7  | SPONGE SHEET 55-80          |     | 2   |         |        |        |      |
| C30   | 213008-7  | O RING 22.4                 |     | 2   |         |        |        |      |
| D10   |           | INC. 7,20                   |     |     |         |        |        |      |
| 006   | 855T19-2  | DCL281F NAME PLATE          |     | 1   |         |        |        |      |
| 007   | 422460-0  | RUBBER PLATE                |     | 2   |         |        |        |      |
| 008   | 620A75-5  | CONTROLLER                  |     | 1   |         |        |        |      |
| 010   | 643874-2  | TERMINAL                    |     | 1   |         |        |        |      |
| 011   | 855T26-5  | DCL281F SERIAL NO. LABEL    |     | 1   |         |        |        |      |
| 012   | 620A77-1  | SWITCH UNIT                 |     | 1   |         |        |        |      |
| 013   | 620A76-3  | LED CIRCUIT                 |     | 1   | *       |        |        |      |
| 013-1 | 620E82-2  | LED CIRCUIT                 | <   | 1   |         |        |        |      |
| 014   | 459478-8  | LENS CASE                   |     | 1   |         |        |        |      |
| 015   | 136092-4  | MOTOR ASS'Y                 |     | 1   |         |        |        |      |
| D10   |           | INC. 16                     |     |     |         |        |        |      |
| 016   | 459322-9  | FAN COVER                   |     | 1   |         |        |        |      |
| 017   | 422268-2  | SPONGE SHEET 57             |     | 1   |         |        |        |      |
| 018   | 458467-0  | STAY                        |     | 1   |         |        |        |      |
| 019   | 199966-0  | EASY SHAKE OFF FILTER B SET |     | 1   |         |        |        |      |
| 020A  | 183M13-5  | HOUSING SET                 |     | 1   |         |        |        |      |
| 020B  | 183L71-5  | HOUSING SET                 |     | 1   |         |        |        |      |
| C10   | 263005-3  | RUBBER PIN 6                |     | 2   |         |        |        |      |
| C20   | 422458-7  | SPONGE SHEET 55-80          |     | 2   |         |        |        |      |
| C30   | 213008-7  | O RING 22.4                 |     | 2   |         |        |        |      |
| D10   |           | INC. 5,7                    |     |     |         |        |        |      |
| 021   | 266429-2  | TAPPING SCREW 3X16          |     | 7   |         |        |        |      |
| A01A  | 123488-8  | FLOOR T-NOZZLE 28 BLU       |     | 1   |         |        |        |      |
| A01B  | 123486-2  | FLOOR T-NOZZLE 28 WHI       |     | 1   |         |        |        |      |
| C10   | 451410-8  | ROLLER                      |     | 4   |         |        |        |      |
| C20   | 268208-4  | PIN 3                       |     | 4   |         |        |        |      |
| C30   | 424096-1  | WIPER                       |     | 1   | *       |        |        |      |
| C31   | 422963-4  | WIPER                       | O   | 1   |         |        |        |      |
| A02A  | 451243-1  | SASH NOZZLE 28 BLU          |     | 1   | *       |        |        |      |
| A02B  | 451240-7  | SASH NOZZLE 28 WHI          |     | 1   | *       |        |        |      |

Model No.DCL281F CORDLESS CLEANER

| Item   | Parts No. | Description   | I/C | QTY | New/Old | Opt. 1 | Opt. 2 | NOTE |
|--------|-----------|---------------|-----|-----|---------|--------|--------|------|
| A02-1A | 413859-0  | SASH NOZZLE   | O   | 1   |         |        |        |      |
| A02-1B | 413770-6  | SASH NOZZLE   | O   | 1   |         |        |        |      |
| A03A   | 459356-2  | PIPE          |     | 1   |         |        |        |      |
| A03B   | 459353-8  | PIPE          |     | 1   |         |        |        |      |
| A04A   | 459355-4  | NOZZLE HOLDER |     | 1   |         |        |        |      |
| A04B   | 459354-6  | NOZZLE HOLDER |     | 1   |         |        |        |      |

Please order the parts with part number.

Print Date 2022/12/15