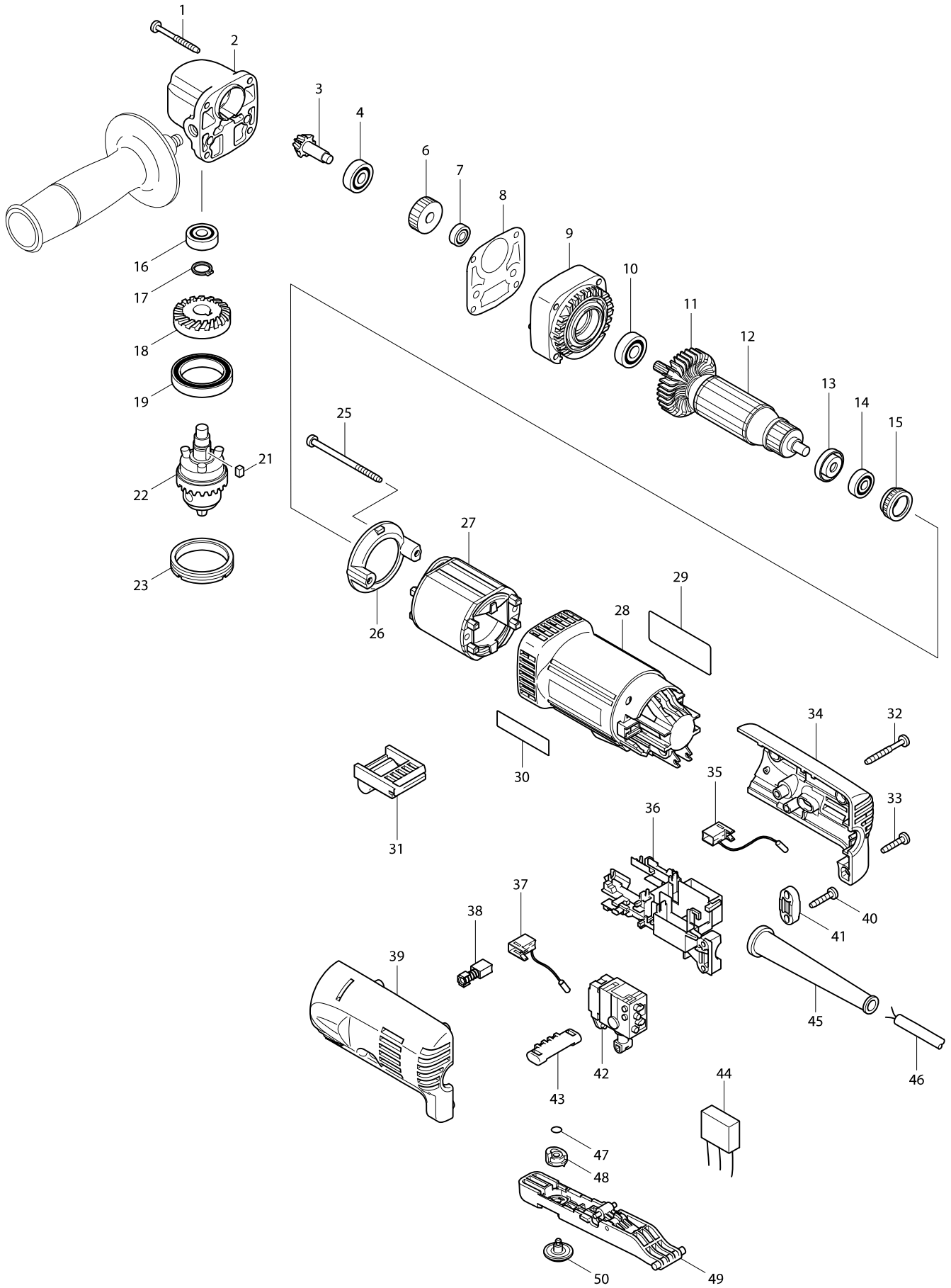


Model No. DA3010 ANGLE DRILL 10MM



Model No. DA3010 ANGLE DRILL 10MM

Item	Parts No.	Description	I/C	QTY	N/O	Opt. 1	Opt. 2	NOTE
001	266048-4	TAPPING SCREW 4X40		4				
002-1	317635-3	GEAR HOUSING		1				
003	227436-0	SPIRAL BEVEL GEAR 9		1				
004-1	210029-0	BALL BEARING 608ZZ		1				
006	226567-2	HELICAL GEAR 28		1				
007	210026-6	BALL BEARING 696ZZ		1				
008	418036-9	GASKET		1				
009	418042-4	GEAR HOUSING COVER		1				
010	211051-0	BALL BEARING 609LLB		1				
011	240061-0	FAN 48		1				
012	517583-8	ARMATURE ASS'Y 220-240V		1				
D10		INC. 10,11,13,14						
013	681636-0	INSULATION WASHER		1				
014	211021-9	BALL BEARING 607LLB		1				
015	421494-0	RUBBER RING 19		1				
016-1	210029-0	BALL BEARING 608ZZ		1				
017	961052-5	RETAINING RING S-12		1				
018	227437-8	SPIRAL BEVEL GEAR 26		1				
019	211419-0	BALL BEARING 6806DDW		1	*			
019-1	211423-9	BALL BEARING 6806DDW	O	1				
021	254201-4	KEY 4		1				
022	763174-5	DRILL CHUCK S10		1				
023	285842-5	BEARING RETAINER 36-43		1				
025	266315-7	TAPPING SCREW MT 4X65		2				
026	418033-5	BAFFLE PLATE		1				
027	635078-0	FIELD		1				
028	183560-8	MOTOR HOUSING		1				
D10		INC. 30						
029	850078-1	NAME PLATE DA3010		1				
030	819063-3	MAKITA LABEL		1				
031	418039-3	COVER		1				
032	266053-1	TAPPING SCREW 4X35		1				
033	265995-6	TAPPING SCREW 4X18		3				
034	183559-3	REAR COVER SET		1				
D10		INC. 39						
035	643802-7	BRUSH HOLDER		1				
036	687139-2	SUPPORT		1				
037	643802-7	BRUSH HOLDER		1				
038-1	195015-1	CARBON BRUSH CB-419		1				
039	183559-3	REAR COVER SET		1				
D10		INC. 34						
040	265995-6	TAPPING SCREW 4X18		2				
041	687053-2	STRAIN RELIEF		1				
042	650539-9	SWITCH TG803BSA-1		1				
043	418038-5	F/R CHANGE LEVER		1				
045	682566-8	CORD GUARD 10		1				
046	691015-4	POWER SUPPLY CORD 0.75-2-2.5		1				
047	213034-6	O RING 3		1				

