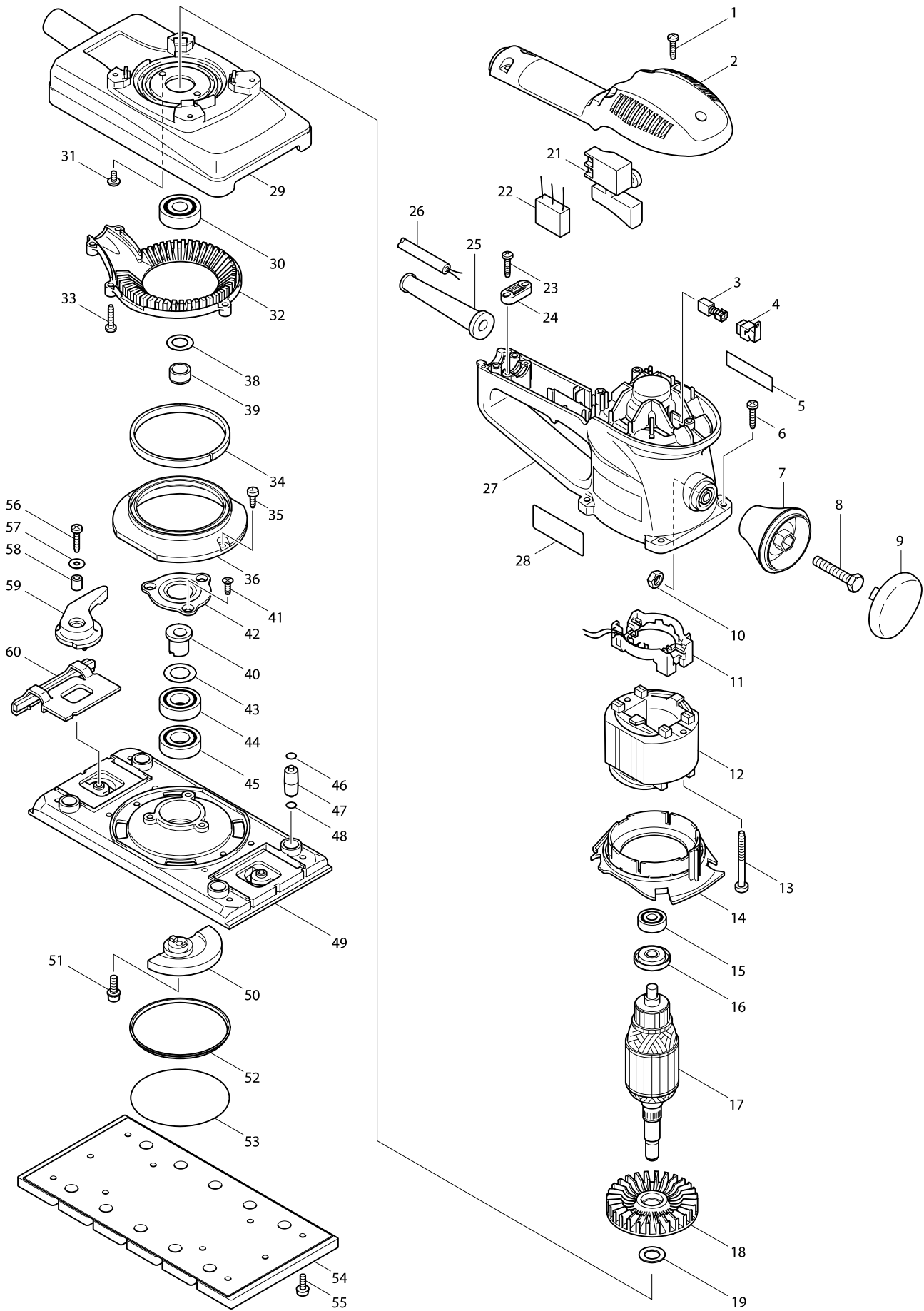


Model No. BO4901 FINISHING SANDER



Model No. BO4901 FINISHING SANDER

Item	Parts No.	Description	I/C	QTY	N/O	Opt. 1	Opt. 2	NOTE
001	265995-6	TAPPING SCREW 4X18		5				
002	417779-0	TOP COVER		1				
003	191962-4	CARBON BRUSH CB-419		1	*			
003-1	195015-1	CARBON BRUSH CB-419	<	1				
004	643923-5	BRUSH HOLDER		2				
005	819063-3	MAKITA LABEL		1				
006	266042-6	TAPPING SCREW BIND CT 4X20		4				
007	417774-0	KNOB		1				
008	921467-8	HEX. BOLT M8X45		1				
009	417775-8	KNOB COVER		1				
010	931403-6	HEX. NUT M8		1				
011	638134-5	SUPPORT COMPLETE		1				
012	634463-4	FIELD 220V		1				
013	266046-8	TAPPING SCREW 5X50		2				
014	417777-4	BAFFLE PLATE		1				
015	210005-4	BALL BEARING 608DDW		1				
016	681644-1	INSULATION WASHER		1				
017	513503-0	ARMATURE ASS'Y 220V		1				
D10		INC. 15,16,18						
018	240043-2	FAN 70		1				
019	253744-3	FLAT WASHER 12		1				
021	651286-5	SWITCH SGEL206C-5		1				
023	265995-6	TAPPING SCREW 4X18		2				
024	687053-2	STRAIN RELIEF		1				
025	682504-0	CORD GUARD 10-85		1				
026	691015-4	POWER SUPPLY CORD 0.75-2-2.5		1				
027	183419-9	MOTOR HOUSING		1				
D10		INC. 5						
028	853507-3	NAME PLATE BO4901		1				
029	317538-1	FRAME		1				
030	211129-9	BALL BEARING 6201DDW		1				
031	251291-8	+ SCREW M4X8		2				
032	417782-1	SCROLL COVER		1				
033	266042-6	TAPPING SCREW BIND CT 4X20		5				
034	443108-1	FELT 6X225X3		1				
035	266026-4	TAPPING SCREW BIND CT 4X12		2				
036	417772-4	DUST GUIDE		1				
038	267212-0	FLAT WASHER 12		1				
039	214109-4	PLANE BEARING 12		1				
040	313104-2	SLEEVE		1				
041	266058-1	TAPPING SCREW CT 4X12		3				
042	162171-2	BEARING RETAINER 24		1				
043	253315-6	THIN WASHER 15		1				
044	211201-7	BALL BEARING 6002LLB		1				
045	211201-7	BALL BEARING 6002LLB		1				
046	213047-7	O RING 4		4				
047	317535-7	FOOT		4				
048	213047-7	O RING 4		4				

