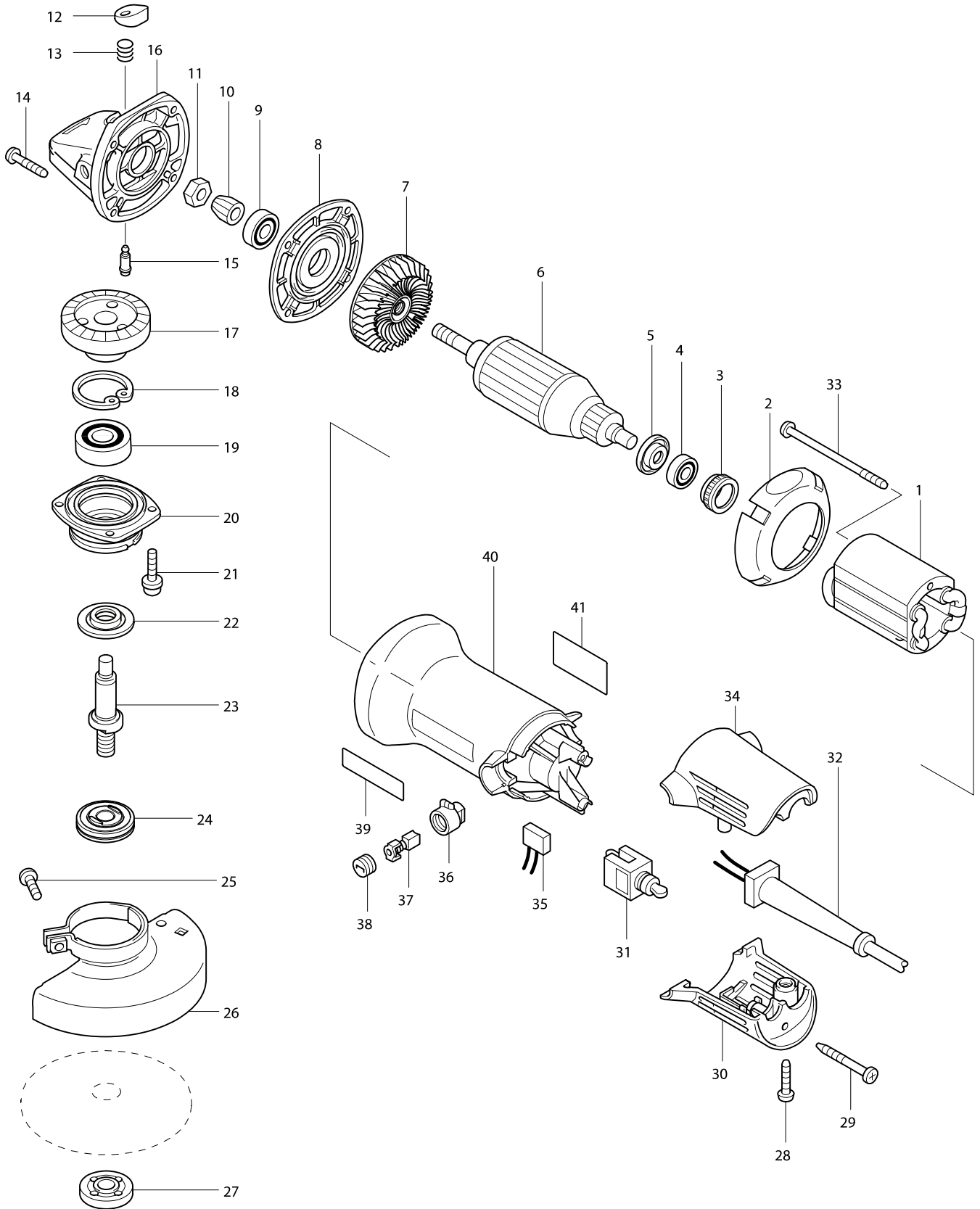


Model No. 9520B 100MM ANGLE GRINDER



Model No. 9520B 100MM ANGLE GRINDER

| Item | Parts No. | Description | I/C | QTY | N/O | Opt. 1 | Opt. 2 | NOTE |
|-------|-----------|------------------------------|-----|-----|-----|--------|--------|------|
| 001C_ | 635003-1 | FIELD 220V | | 1 | | | | |
| 002 | 415490-8 | BAFFLE PLATE | | 1 | | | | |
| 003 | 421494-0 | RUBBER RING 19 | | 1 | | | | |
| 004 | 211021-9 | BALL BEARING 607LLB | | 1 | * | | | |
| 004-1 | 210017-7 | BALL BEARING 607DDW | X | 1 | | | | |
| 005 | 681636-0 | INSULATION WASHER | | 1 | | | | |
| 006C_ | 517503-2 | ARMATURE ASS'Y 220V | | 1 | | | | |
| D11 | | INC. 4,5,7 | | | | | | |
| 007 | 241875-0 | FAN 54 | | 1 | | | | |
| 008 | 316601-7 | GEAR HOUSING COVER | | 1 | | | | |
| 009 | 210005-4 | BALL BEARING 608DDW | | 1 | | | | |
| 010 | 226716-1 | SPIRAL BEVEL GEAR 11 | | 1 | | | | |
| 011 | 252137-1 | HEX. NUT M5-8 | | 1 | | | | |
| 012 | 415491-6 | PIN CAP | | 1 | | | | |
| 013 | 233072-2 | COMPRESSION SPRING 8 | | 1 | | | | |
| 014 | 265999-8 | TAPPING SCREW 4X25 | | 4 | | | | |
| 015 | 256437-1 | PIN 4 | | 1 | | | | |
| 016 | 159711-5 | GEAR HOUSING COMPLETE | | 1 | * | | | |
| 016-1 | 151742-0 | GEAR HOUSING COMPLETE | S | 1 | | | | |
| 017 | 226717-9 | SPIRAL BEVEL GEAR 36 | | 1 | * | | | |
| 017-1 | 226728-4 | SPIRAL BEVEL GEAR 36 | O | 1 | | | | |
| 018 | 962151-6 | RETAINING RING R-32 | | 1 | | | | |
| 019 | 211129-9 | BALL BEARING 6201DDW | | 1 | | | | |
| 020 | 316600-9 | BEARING BOX | | 1 | | | | |
| 021 | 266034-5 | TAPPING SCREW CT 4X16 | | 4 | * | | | |
| 021-1 | 911121-2 | PAN HEAD SCREW M4X14 | X | 4 | | | | |
| 022 | 415492-4 | LABYRINTH RING | | 1 | | | | |
| 023 | 322686-3 | SPINDLE | | 1 | | | | |
| 024 | 224314-5 | INNER FLANGE 30 | | 1 | | | | |
| 025 | 251391-4 | PAN HEAD SCREW M5X16 | | 1 | | | | |
| 026 | 165095-1 | WHEEL COVER | | 1 | * | | | |
| 026-1 | 165171-1 | WHEEL COVER | O | 1 | | | | |
| 027-1 | 224559-5 | LOCK NUT 10-30 | | 1 | | | | |
| 028 | 265995-6 | TAPPING SCREW 4X18 | | 2 | | | | |
| 029 | 266048-4 | TAPPING SCREW 4X40 | | 2 | | | | |
| 030 | 182663-5 | UPPER & LOWER REAR COVER SET | | 1 | * | | | |
| D10 | | INC. 34 | | | * | | | |
| 030-1 | 183386-8 | UPPER LOWER REAR COVER SET | O | 1 | | | | |
| D10 | | INC. 34 | | | | | | |
| 031 | 651418-4 | SWITCH ST115A-40 | | 1 | | | | |
| 032H_ | 691015-4 | POWER SUPPLY CORD 0.75-2-2.5 | | 1 | | | | |
| 033 | 266049-2 | TAPPING SCREW 4X75 | | 2 | | | | |
| 034 | 182663-5 | UPPER & LOWER REAR COVER SET | | 1 | * | | | |
| D10 | | INC. 30 | | | * | | | |
| 034-1 | 183386-8 | UPPER LOWER REAR COVER SET | O | 1 | | | | |
| D10 | | INC. 30 | | | | | | |
| 036 | 643922-7 | BRUSH HOLDER | | 2 | | | | |
| 037A_ | 191940-4 | CARBON BRUSH CB-411 | | 1 | * | | | |

Model No. 9520B 100MM ANGLE GRINDER

| Item | Parts No. | Description | I/C | QTY | N/O | Opt. 1 | Opt. 2 | NOTE |
|-------|-----------|-------------------------------|-----|-----|-----|--------|--------|------|
| 037A1 | 195010-1 | CARBON BRUSH CB-411 | < | 1 | | | | |
| 038 | 643550-8 | BRUSH HOLDER CAP 5-8 | | 2 | | | | |
| 039 | 819063-3 | MAKITA LABEL | | 1 | | | | |
| 040 | 159712-3 | MOTOR HOUSING COMPLETE | | 1 | * | | | |
| C10 | 654125-8 | TERMINAL | | 2 | * | | | |
| 040-1 | 183403-4 | MOTOR HOUSING | O | 1 | | | | |
| C10 | 654125-8 | TERMINAL | | 2 | | | | |
| D10 | | INC. 39 | | | | | | |
| 041 | 857567-7 | NAME PLATE 9520B | | 1 | | | | |
| A01 | 794045-5 | DEPRESSED CENTER WHEEL 100-36 | | 1 | * | | | |
| A02 | 782401-1 | LOCK NUT WRENCH 20 | | 1 | | | | |
| E02 | 911118-1 | PAN HEAD SCREW M4X12 | | 1 | | | | |
| E03 | 931102-0 | HEX. NUT M4 | | 1 | | | | |
| E06 | 682504-0 | CORD GUARD 10-85 | | 1 | | | | |
| E09 | 687650-4 | STRAIN RELIEF | | 1 | | | | |
| | | | | | | | | |
| | | | | | | | | |
| | | | | | | | | |
| | | | | | | | | |
| | | | | | | | | |
| | | | | | | | | |
| | | | | | | | | |
| | | | | | | | | |
| | | | | | | | | |
| | | | | | | | | |
| | | | | | | | | |
| | | | | | | | | |
| | | | | | | | | |
| | | | | | | | | |
| | | | | | | | | |
| | | | | | | | | |
| | | | | | | | | |
| | | | | | | | | |
| | | | | | | | | |
| | | | | | | | | |
| | | | | | | | | |
| | | | | | | | | |
| | | | | | | | | |
| | | | | | | | | |
| | | | | | | | | |
| | | | | | | | | |
| | | | | | | | | |
| | | | | | | | | |
| | | | | | | | | |
| | | | | | | | | |
| | | | | | | | | |
| | | | | | | | | |