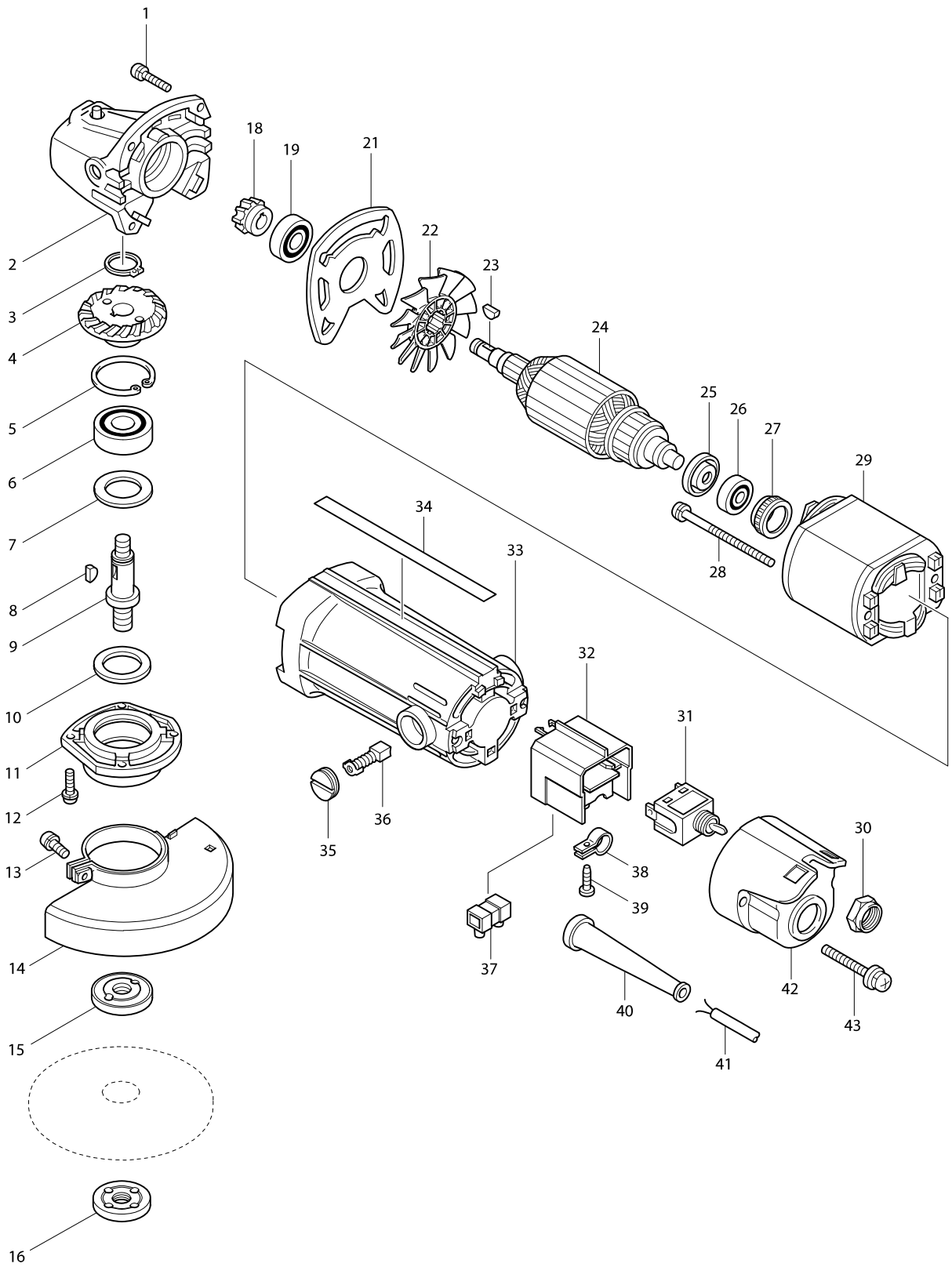


Model No. 9500NB DISC GRINDER 100MM



Model No. 9500NB DISC GRINDER 100MM

Item	Parts No.	Description	I/C	QTY	N/O	Opt. 1	Opt. 2	NOTE
001	911136-9	PAN HEAD SCREW M4X20		4				
002	156448-5	GEAR HOUSING		1				
C10	212005-0	NEEDLE BEARING 810		1				
C20	231464-9	COMPRESSION SPRING 5		1				
C30	256616-1	PIN 5		1				
C40	263002-9	RUBBER PIN 4		1				
C50	343312-1	CUP		1				
003	961052-5	RETAINING RING S-12		1	*			
004	221319-6	SPIRAL BEVEL GEAR 35		1	*			
004-1	227424-7	SPIRAL BEVEL GEAR 35	X	1				
005	962151-6	RETAINING RING R-32		1				
006	211106-1	BALL BEARING 6201LLB		1				
007	253055-6	FLAT WASHER 12		1				
008	254002-0	WOODRUFF KEY 3		1	*			
009-1	324148-7	SPINDLE		1	*			
009-2	324246-7	SPINDLE	>	1				
010	443034-4	FELT RING 18		1				
011	312998-2	BEARING BOX		1				
012	911121-2	PAN HEAD SCREW M4X14		4				
013	911216-1	PAN HEAD SCREW M5X14		1	*			
013-1	251391-4	PAN HEAD SCREW M5X16	O	1				
014	133496-1	WHEEL COVER 100		1	*			
D10		INC. 13			*			
014-1	154755-0	WHEEL COVER COMPLETE	O	1				
D10		INC. 13						
015-1	224314-5	INNER FLANGE 30		1				
016-1	224559-5	LOCK NUT 10-30		1				
018	221318-8	SPIRAL BEVEL GEAR 14		1				
019	211088-7	BALL BEARING 6000DDW		1				
021	341398-9	PLATE		1				
022	240041-6	FAN 60		1				
023	254002-0	WOODRUFF KEY 3		1				
024A_	517368-2	ARMATURE ASS'Y 220V		1	*			
D10		INC. 25,26			*			
024A1	510049-7	ARMATURE ASS'Y 220V	<	1				
D10		INC. 22,25,26						
025	681636-0	INSULATION WASHER		1				
026	210017-7	BALL BEARING 607DDW		1				
027	421494-0	RUBBER RING 19		1				
028	911596-5	PAN HEAD SCREW M4X70		2				
029	593479-7	FIELD ASS'Y 240V		1				
C10	654100-4	RING TERMINAL		2				
C20	654501-6	CONNECTOR P-1.25		2				
030	652102-4	HEX. NUT M12		1				
031	651403-7	SWITCH ST115A-31		1	*			
031-1	651433-8	SWITCH ST115A-31	<	1				
032	687116-4	SUPPORT		1				
033	152675-2	MOTOR HOUSING COMPLETE		1				

