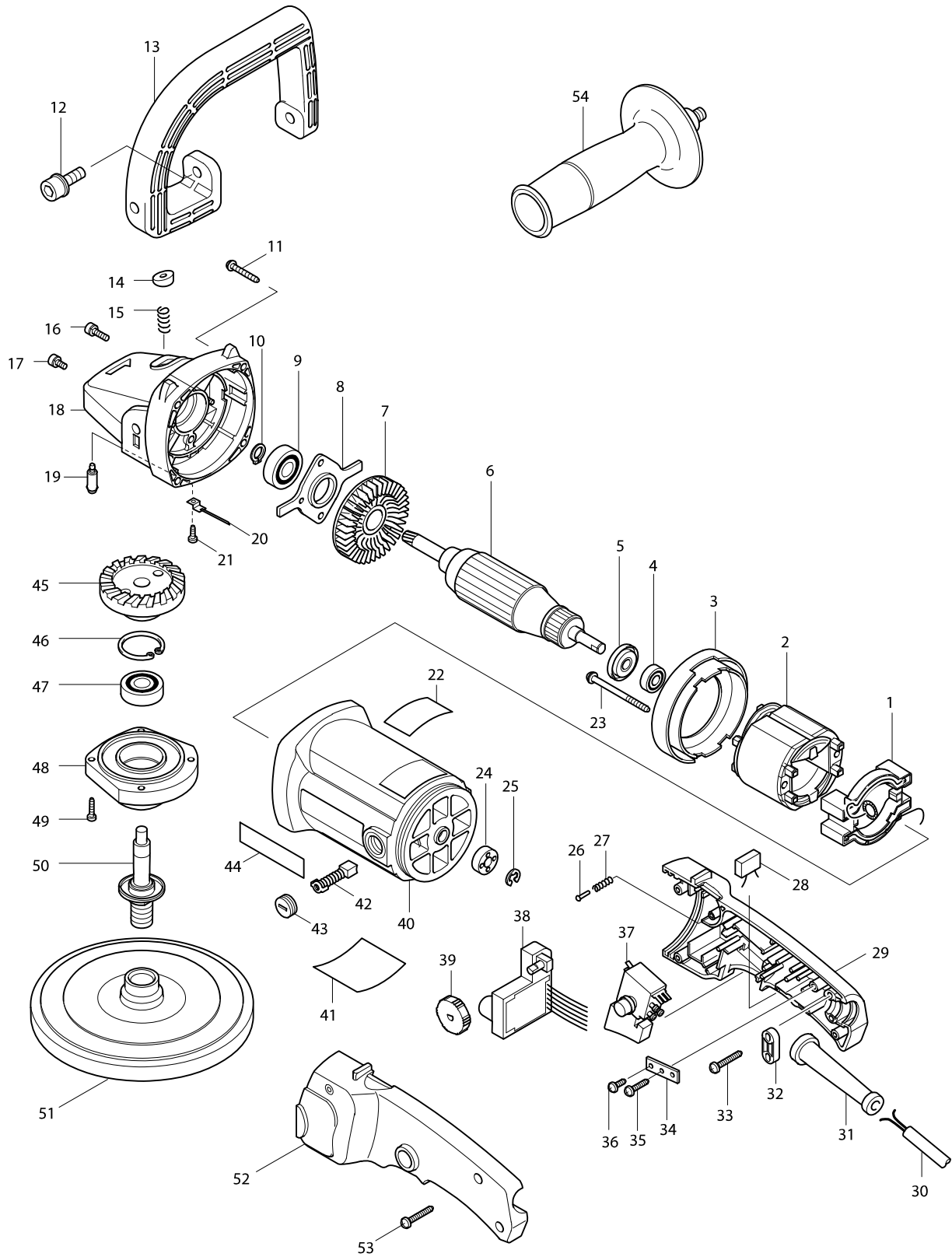


Model No. 9227C SANDER POLISHER 180MM



Model No. 9227C SANDER POLISHER 180MM

Item	Parts No.	Description	I/C	QTY	N/O	Opt. 1	Opt. 2	NOTE
001	632679-5	SUPPORT COMPLETE		1	*			
001-1	539168-0	SUPPORT ASS'Y	<	1				
C10	632679-5	SUPPORT COMPLETE		1				
C20	654020-2	RING TERMINAL		1				
C30	654501-6	CONNECTOR P-1.25		1				
002B_	634293-3	FIELD 220/240V		1				
003	416253-5	BAFFLE PLATE		1				
004	211031-6	BALL BEARING 608LLB		1				
005	681644-1	INSULATION WASHER		1				
006B_	516308-7	ARMATURE ASS'Y 220/240V		1				
D10		INC. 4,5,7						
007	240002-6	FAN 70		1				
008	285687-1	BEARING RETAINER 48		1				
009	211106-1	BALL BEARING 6201LLB		1				
010	961052-5	RETAINING RING S-12		1				
011	266012-5	TAPPING SCREW 5X35		4				
012	266171-5	HEX. SOCKET HEAD BOLT M8X25		2				
013	416256-9	LOOP HANDLE		1				
014	415491-6	PIN CAP		1				
015	233072-2	COMPRESSION SPRING 8		1				
016-1	911221-8	PAN HEAD SCREW M5X16		1				
017-1	911211-1	PAN HEAD SCREW M5X12		1				
018	159951-5	GEAR HOUSING COMPLETE		1				
019	256446-0	PIN 6		1	*			
019-1	256504-2	SHOULDER PIN 9	S	1				
020	632783-0	LEAD UNIT		1				
021	652014-1	PAN HEAD SCREW M4X8		1				
022	816330-7	INDICATION LABEL		1				
023	266038-7	TAPPING SCREW 5X70		2				
024	688110-9	MAGNET SLEEVE		1				
025	961012-7	STOP RING E-6		1				
026	255058-6	RIVET 2		1				
027	233002-3	COMPRESSION SPRING 3		1				
029	182917-0	HANDLE SET		1				
D10		INC. 52						
030H_	691134-6	POWER SUPPLY CORD 0.75-3-2.5		1				
031	682504-0	CORD GUARD 10-85		1	*			
031-1	682505-8	CORD GUARD 10-90	<	1				
032	687053-2	STRAIN RELIEF		1				
033	265995-6	TAPPING SCREW 4X18		2				
034	654571-5	TERMINAL BLOCK		1				
035	265995-6	TAPPING SCREW 4X18		1				
036	652014-1	PAN HEAD SCREW M4X8		2				
037	651282-3	SWITCH		1				
038A_	631227-7	CONTROLLER 200-250V		1	*			
038A1	631227-7	CONTROLLER 200-250V	<	1				
039	271417-6	DIAL 28		1				
040	182918-8	MOTOR HOUSING SET		1				

Model No. 9227C SANDER POLISHER 180MM

Item	Parts No.	Description	I/C	QTY	N/O	Opt. 1	Opt. 2	NOTE
C10	643708-9	BRUSH HOLDER 5-11		2				
D10		INC. 22,44						
041	858695-1	NAME PLATE 9227C		1				
042	191963-2	CARBON BRUSH CB-303		1	*			
042-1	194996-6	CARBON BRUSH CB-303	<	1				
043	643750-0	BRUSH HOLDER CAP 7-11		2				
045	226744-6	SPIRAL BEVEL GEAR 52		1	*			
045-1	227512-0	SPIRAL BEVEL GEAR 52	S	1				
046	962151-6	RETAINING RING R-32		1				
047	211106-1	BALL BEARING 6201LLB		1				
048	316896-2	BEARING BOX		1				
049	266034-5	TAPPING SCREW CT 4X16		4				
050	152553-6	SPINDLE COMPLETE		1				
C10	344347-5	LABYRINTH RING		1				
051	743054-1	PAD 165		1				
052	182917-0	HANDLE SET		1				
D10		INC. 29						
053	265995-6	TAPPING SCREW 4X18		4				
A01	783204-6	HEX. WRENCH 6		1				
A02	262542-4	SLEEVE 18		1				
E01	192629-7	WOOL PAD 180		1				
E05	191963-2	CARBON BRUSH CB-303		2	*			
E05-1	194996-6	CARBON BRUSH CB-303	<	2				

Please order the parts with a part number.