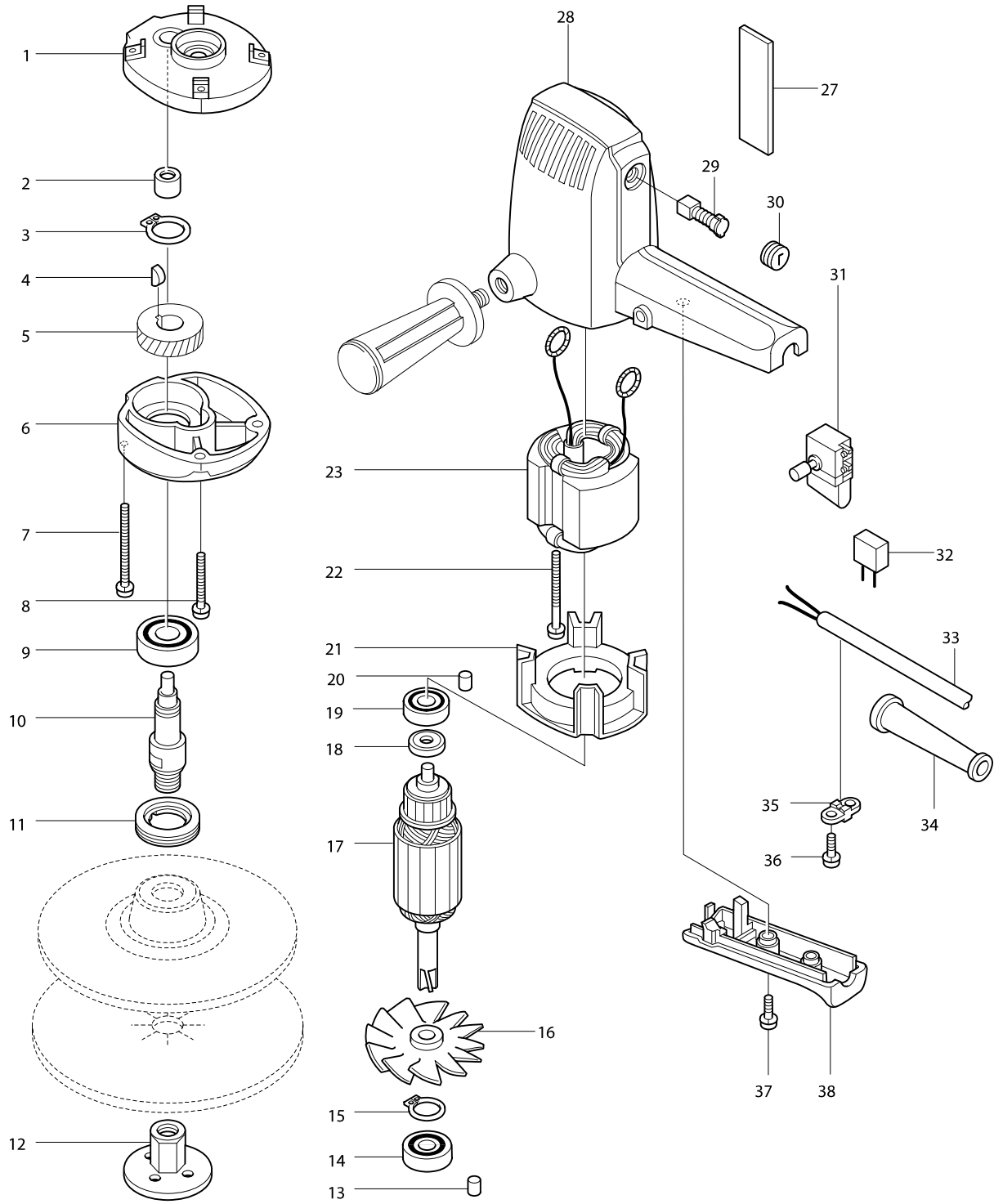


# Model No. 9218SB DISC SANDER 180MM



# Model No. 9218SB DISC SANDER 180MM

Item	Parts No.	Description	I/C	QTY	N/O	Opt. 1	Opt. 2	NOTE
001	156993-0	GEAR HOUSING COVER COMPLETE		1				
D10		INC. 13						
002	212004-2	NEEDLE BEARING 810		1				
003	961055-9	RETAINING RING S-15		1				
004	254001-2	WOODRUFF KEY 4		1				
005	221273-4	HELICAL GEAR 52		1				
006	312368-5	GEAR HOUSING		1				
007	911171-7	PAN HEAD SCREW M4X45		2				
008	911161-0	PAN HEAD SCREW M4X35		2				
009	211206-7	BALL BEARING 6202LLB		1				
010-1	325526-4	SPINDLE		1				
011	285809-3	BEARING RETAINER 23-36		1				
012-1	224523-6	SANDING LOCK NUT 16-48		1				
013	263002-9	RUBBER PIN 4		1				
014	211101-1	BALL BEARING 6001LLB		1				
015	961052-5	RETAINING RING S-12		1				
016	241044-3	FAN 68		1				
017C_	512405-7	ARMATURE ASS'Y 220V		1				
018	213002-9	DUST SEAL 8		1				
019	211033-2	BALL BEARING 608LB		1				
020	263002-9	RUBBER PIN 4		1				
021	411241-7	BAFFLE PLATE		1				
022-2	911681-4	PAN HEAD SCREW M5X60		2				
023C_	522225-1	FIELD ASS'Y 220V		1				
027	811828-9	NAME PLATE 9218SB		1				
028	156105-5	MOTOR HOUSING		1	*			
C10	643603-3	BRUSH HOLDER 6-10		2	*			
C20	913201-0	SET SCREW M5X6		2	*			
C21	913206-0	SET SCREW M5X8	O	2	*			
D10		INC. 20			*			
028-1	159596-9	MOTOR HOUSING	S	1				
C11	643609-1	BRUSH HOLDER 6-10		2				
D10		INC. 20						
029B_	181030-1	CARBON BRUSH CB-100		1	*			
029B1	194974-6	CARBON BRUSH SET CB-100	<	1				
030	643600-9	BRUSH HOLDER CAP 6-10		2				
031	651204-3	SWITCH SGEL115CDY		1				
033Q1	691015-4	POWER SUPPLY CORD 0.75-2-2.5		1				
034A_	682502-4	CORD GUARD 8-85		1				
035	687001-1	STRAIN RELIEF		1				
036-1	911133-5	PAN HEAD SCREW M4X18		2				
037-2	911138-5	PAN HEAD SCREW M4X20		2				
038	411239-4	HANDLE COVER		1	*			
038-1	414994-7	HANDLE COVER	S	1				
039	819063-3	MAKITA LABEL		1				
400	743008-8	RUBBER PAD 170		1				
402-1	152492-0	GRIP 36 COMPLETE		1				
403	781008-0	WRENCH 17		1				

