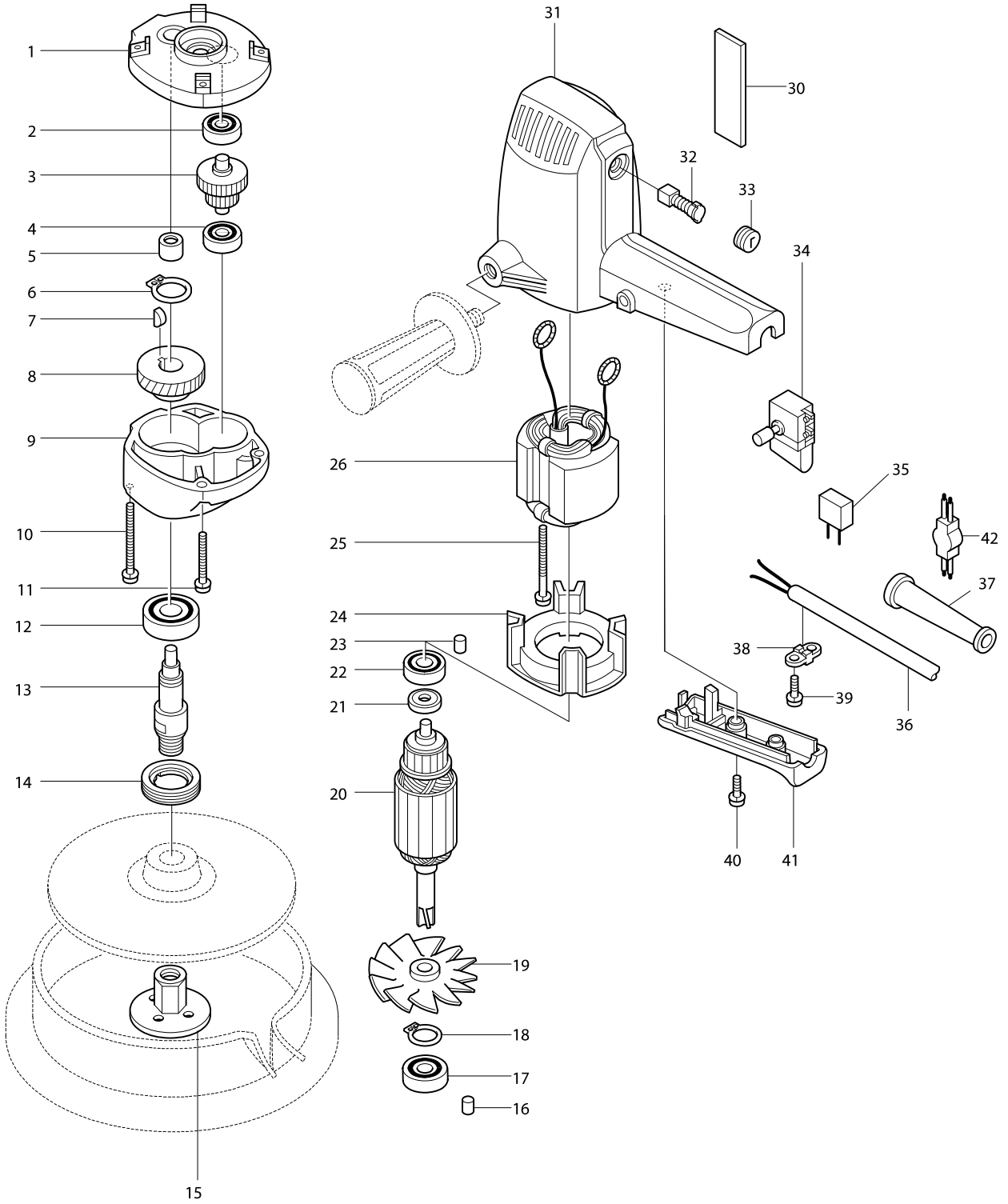


Model No. 9218PBL POLISHER 180MM



Model No. 9218PBL POLISHER 180MM

Item	Parts No.	Description	I/C	QTY	N/O	Opt. 1	Opt. 2	NOTE
001	156994-8	GEAR HOUSING COVER		1				
D10		INC. 16						
002	211033-2	BALL BEARING 608LB		1				
003	226112-3	GEAR COMPLETE 18-51		1				
004	211033-2	BALL BEARING 608LB		1				
005	212052-1	NEEDLE BEARING 1010		1				
006	961055-9	RETAINING RING S-15		1				
007	254001-2	WOODRUFF KEY 4		1				
008	226401-6	HELICAL GEAR 46		1				
009	312671-4	GEAR HOUSING		1				
010	911186-4	PAN HEAD SCREW M4X60		2				
011	911166-0	PAN HEAD SCREW M4X40		2				
012	211206-7	BALL BEARING 6202LLB		1				
013	325528-0	SPINDLE		1				
014	285809-3	BEARING RETAINER 23-36		1				
015	224523-6	SANDING LOCK NUT 16-48		1				
016	263002-9	RUBBER PIN 4		1				
017-1	211131-2	BALL BEARING 6001DDW		1				
018	961052-5	RETAINING RING S-12		1	*			
019	241055-8	FAN 68		1				
020C_	516108-5	ARMATURE ASS'Y 220V		1				
021	213002-9	DUST SEAL 8		1				
022	211033-2	BALL BEARING 608LB		1				
023	263002-9	RUBBER PIN 4		1				
024	411241-7	BAFFLE PLATE		1				
025-1	911681-4	PAN HEAD SCREW M5X60		2				
026C_	594113-2	FIELD ASS'Y 220V		1				
C10	654019-7	RING TERMINAL		2				
C20	654501-6	CONNECTOR P-1.25		2				
030	856940-8	NAME PLATE 9218PBL		1				
031-1	159596-9	MOTOR HOUSING	S	1				
C11	643609-1	BRUSH HOLDER 6-10		2				
D10		INC. 23						
032B_	181030-1	CARBON BRUSH CB-100		1	*			
032B1	194974-6	CARBON BRUSH SET CB-100	<	1				
033	643600-9	BRUSH HOLDER CAP 6-10		2				
034	651204-3	SWITCH SGEL115CDY		1				
036K_	691015-4	POWER SUPPLY CORD 0.75-2-2.5		1				
037	682504-0	CORD GUARD 10-85		1				
038	687001-1	STRAIN RELIEF		1				
039	911133-5	PAN HEAD SCREW M4X18		2				
040	911138-5	PAN HEAD SCREW M4X20		2				
041-1	414994-7	HANDLE COVER	S	1				
A02	794176-0	WOOL BONNET 180		1				
A03-1	152492-0	GRIP 36 COMPLETE		1				
A04	781008-0	WRENCH 17		1				
A05-1	782412-6	LOCK NUT WRENCH 28		1				