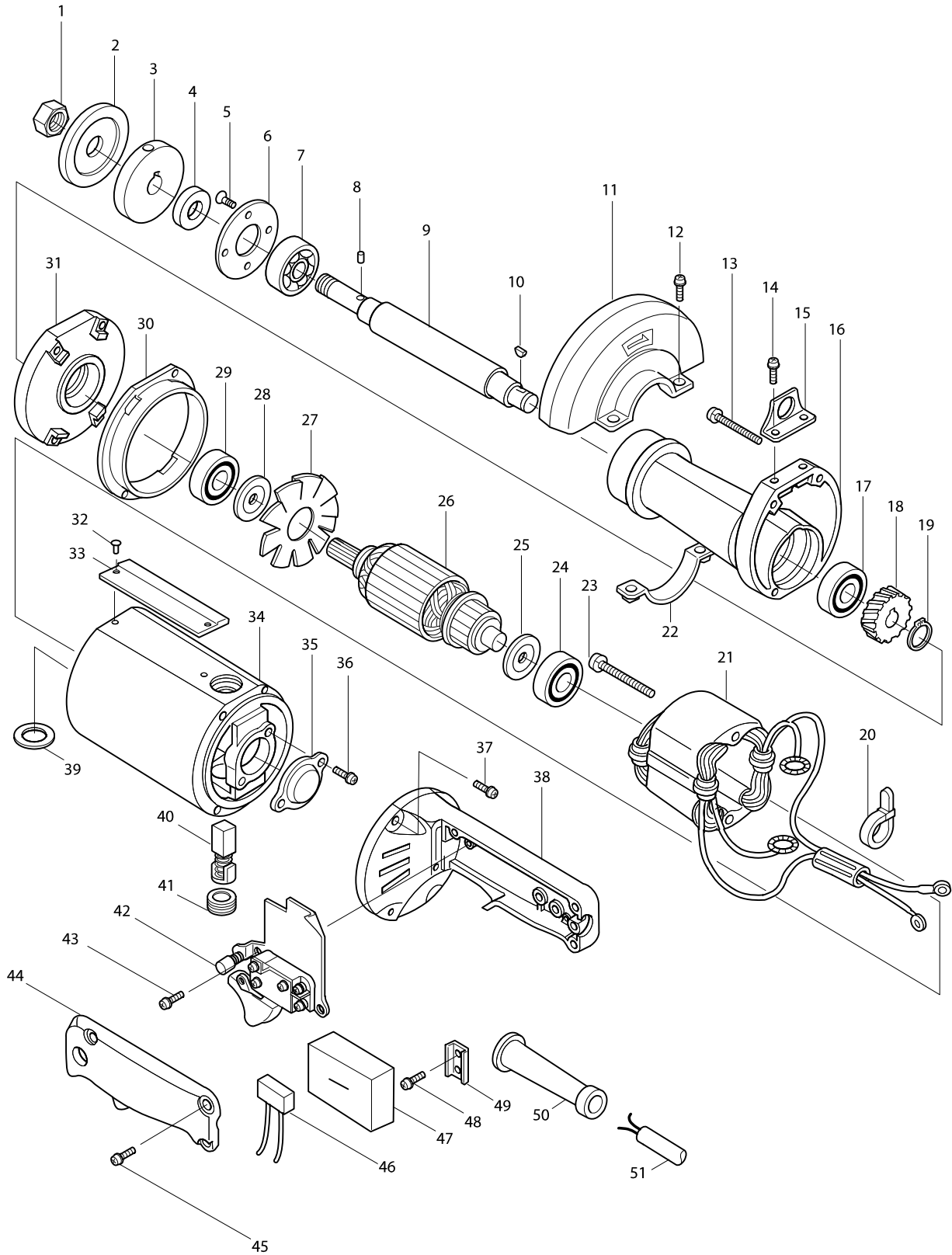


# Model No. 9105 STRAIGHT GRINDER 125MM



# Model No. 9105 STRAIGHT GRINDER 125MM

Item	Parts No.	Description	I/C	QTY	N/O	Opt. 1	Opt. 2	NOTE
001	252007-4	HEX. NUT W1/2-21		1				
002	224019-7	OUTER FLANGE 50		1				
003	224047-2	INNER FLANGE 50		1				
004	257025-7	RING 17		1				
005	912116-8	COUNTERSUNK HEAD SCREW M4X12		4				
006	285621-1	BEARING RETAINER 47		1				
007	211258-8	BALL BEARING 6203LB		1				
008	256009-2	PIN 4.5		1				
009	325119-7	SPINDLE		1				
010	254002-0	WOODRUFF KEY 3		1				
011	155162-0	WHEEL COVER COMPLETE		1				
C10	812030-7	INDICATION PLATE		1				
012	911216-1	PAN HEAD SCREW M5X14		2				
013	911261-6	PAN HEAD SCREW M5X40		4				
014	911216-1	PAN HEAD SCREW M5X14		2				
015	342004-9	HANGER		1				
016-1	316099-8	GEAR HOUSING		1				
017	211258-8	BALL BEARING 6203LB		1				
018	221126-7	HELICAL GEAR 47		1				
019	961052-5	RETAINING RING S-12		1				
020	687010-0	BAND		1				
021C_	523005-8	FIELD ASS'Y 220V		1				
C10	654020-2	RING TERMINAL		2				
C20	654501-6	CONNECTOR P-1.25		2				
022	342472-6	WHEEL COVER HOLDER		1				
023-1	911290-9	PAN HEAD SCREW M5X65		2				
024	211066-7	BALL BEARING 6200LLB		1				
025	213051-6	DUST SEAL 10		1				
026C_	513155-7	ARMATURE ASS'Y 220V		1				
D10		INC. 24-29						
027	241013-4	FAN 80		1				
028	213102-5	DUST SEAL 12		1				
029	211108-7	BALL BEARING 6201LB		1				
030	343086-4	BAFFLE PLATE		1				
031-1	316097-2	GEAR HOUSING COVER		1				
032	953106-2	RIVET 0-5		2	*			
033	811691-0	NAME PLATE 9105		1	*			
033-1	851753-2	NAME PLATE 9105	X	1				
034-1	157953-5	MOTOR HOUSING		1	*			
034-2	183172-7	MOTOR HOUSING SET	X	1				
C10	643653-8	BRUSH HOLDER 6.5-13.5		2				
C20	913206-0	SET SCREW M5X8		2				
C30	819064-1	MAKITA MARK		1				
035	285006-1	BEARING COVER 42		1	*			
036	911206-4	PAN HEAD SCREW M5X10		2	*			
037	911231-5	PAN HEAD SCREW M5X20		4				
038-1	316100-9	HANDLE		1	*			
038-2	317301-2	HANDLE	X	1	*			

