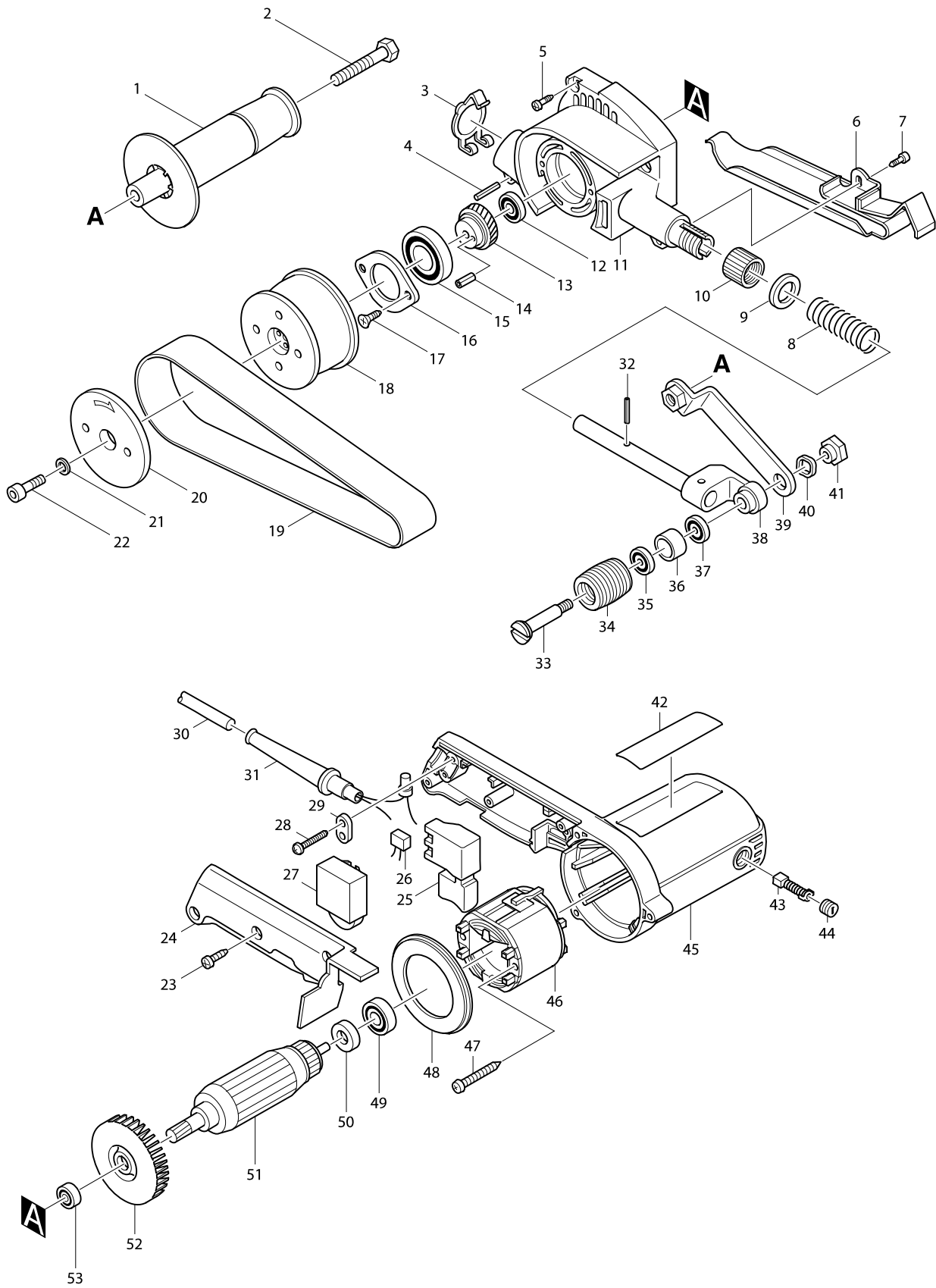


# Model No. 9031 BELT SANDER 30MM



# Model No. 9031 BELT SANDER 30MM

Item	Parts No.	Description	I/C	QTY	N/O	Opt. 1	Opt. 2	NOTE
001-1	152490-4	GRIP 36 COMPLETE		1				
003	286241-4	CAP 30		1				
004	951116-3	SPRING PIN 4-20		1				
005	265924-9	TAPPING SCREW 4X25		3	*			
005-1	265999-8	TAPPING SCREW 4X25	O	3				
006	342152-4	FLAT SHOE		1				
007	266035-3	TAPPING SCREW BIND CT 5X12		1				
008	231056-4	COMPRESSION SPRING 13		1				
009	253052-2	FLAT WASHER 12		1				
010	252605-4	WING NUT M16		1				
011	159748-2	GEAR HOUSING COMPLETE		1				
C10	263002-9	RUBBER PIN 4		1				
012	211023-5	BALL BEARING 607LB		1				
013	226435-9	HELICAL GEAR 35		1				
014	258009-8	SPRING PIN 3.5-12		1				
015	211331-4	BALL BEARING 6904DDW		1				
016	285830-2	BEARING RETAINER 44		1				
017	266058-1	TAPPING SCREW CT 4X12		2				
018	222129-4	PULLEY 33-64		1				
019	794115-0	ABRASIVE BELT 30X533 AA100		1	*			
019-1	A-23880	BELT 533-AA100 10PC.	O	1				
020	415624-3	PULLEY LINER		1				
021	941101-4	FLAT WASHER 5		1				
022	266067-0	HEX. SOCKET HEAD BOLT M5X20		1				
023	265941-9	TAPPING SCREW BT 4X18		3	*			
023-1	265995-6	TAPPING SCREW 4X18	O	3				
024	415635-8	HANDLE COVER		1				
025	651263-7	SWITCH SGEL206C		1				
027A1	631185-7	CONTROLLER 200V-240V		1	*			
027A2	631677-6	CONTROLLER	O	1				
028	265995-6	TAPPING SCREW 4X18		2				
029	687053-2	STRAIN RELIEF		1				
030L_	691015-4	POWER SUPPLY CORD 0.75-2-2.5		1				
031	682504-0	CORD GUARD 10-85		1				
032	951116-3	SPRING PIN 4-20		1				
033	322746-1	TOP PULLEY SHAFT		1				
034	222130-9	PULLEY 30-25		1				
035	210015-1	BALL BEARING 688DDW		1				
036	331450-1	SLEEVE 12		1				
037	210015-1	BALL BEARING 688DDW		1				
038	154417-0	ANGLE STAY COMPLETE		1				
039	165110-1	ARM COMPLETE		1				
040	253904-7	WAVE WASHER 12		2				
041	252138-9	HEX. NUT M6-17		1				
042	857678-8	NAME PLATE 9031		1				
043A_	191940-4	CARBON BRUSH CB-411		1	*			
043A1	195010-1	CARBON BRUSH CB-411	<	1				
044	643550-8	BRUSH HOLDER CAP 5-8		2				

