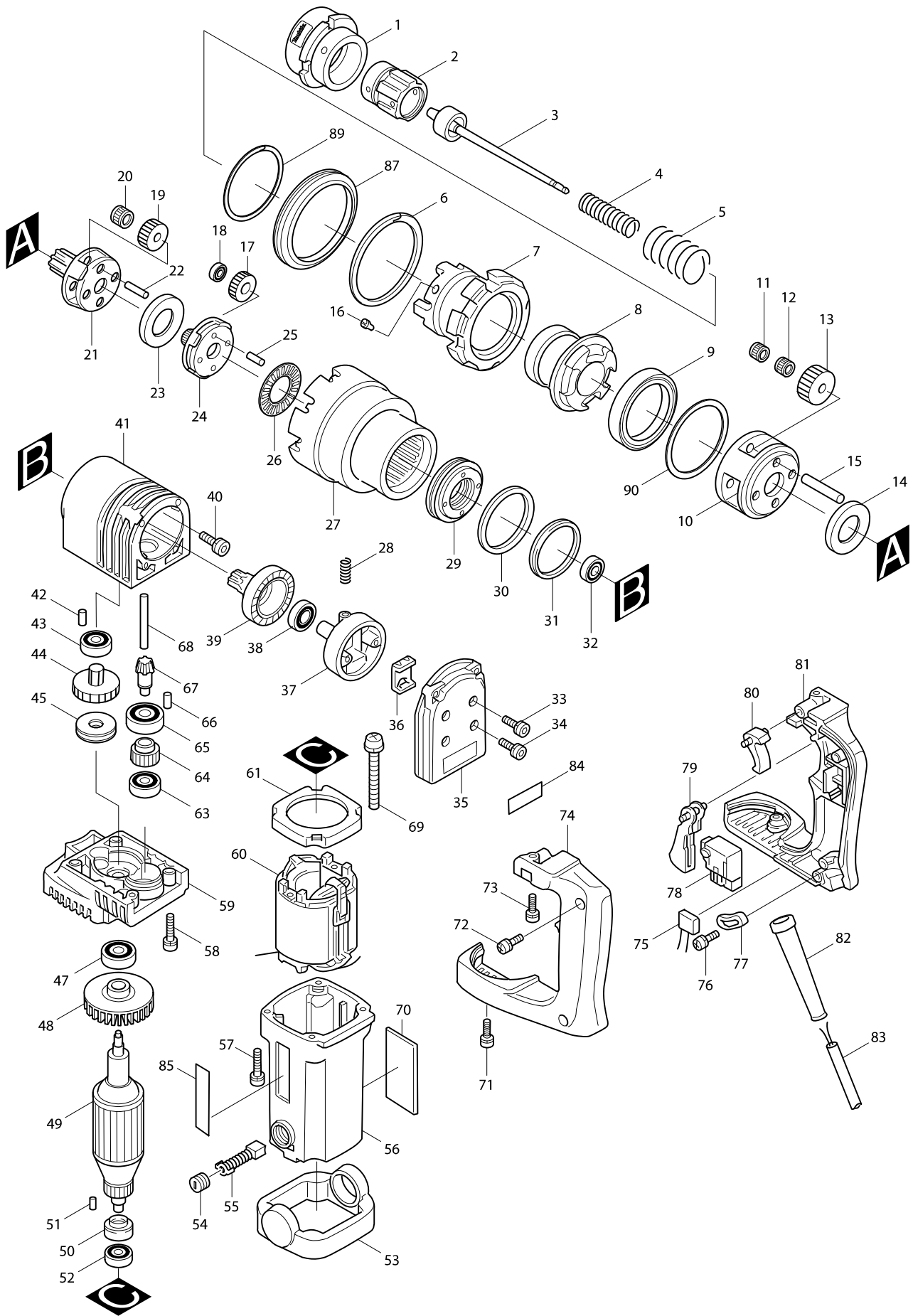


Model No. 6922NB SHEAR WRENCH



Model No. 6922NB SHEAR WRENCH

Item	Parts No.	Description	I/C	QTY	N/O	Opt. 1	Opt. 2	NOTE
001	764319-8	OUTER SLEEVE 22-39		1	*			
001-1	764360-1	OUTER SLEEVE 22-39	<	1	*			
001-2	153909-6	OUTER SLEEVE 22-39 COMPLETE	O	1				
002	764322-9	INNER SLEEVE 22-39 COMPLETE		1	*			
002-1	764348-1	INNER SLEEVE 22-39 COMPLETE	<	1	*			
002-2	764418-6	INNER SLEEVE 22-39 COMPLETE	O	1				
003	165074-9	CHIP ROD		1				
004	233087-9	COMPRESSION SPRING 13		1				
005	233086-1	COMPRESSION SPRING 25		1	*			
005-1	234143-8	COMPRESSION SPRING 25	<	1				
006	257919-6	SPIRO LOCK WASHER 72		1	*			
006-1	257940-5	SPIRO LOCK WASHER 70	S	1				
007	322671-6	OUTER SUPPORT		1	*			
007-1	324448-5	OUTER SUPPORT	S	1	*			
007-2	325688-8	OUTER SUPPORT	O	1				
008	152447-5	INNER SUPPORT COMPLETE		1	*			
C10	214551-9	PLANE BEARING 41.5		1	*			
008-1	153872-3	INNER SUPPORT COMPLETE	S	1				
009	211653-2	BALL BEARING 6811		1	*			
009-1	211611-8	BALL BEARING 6810	S	1				
010	311943-4	CARRIER		1	*			
010-1	310147-5	CARRIER	S	1				
011	212072-5	NEEDLE CAGE 1010		4	*			
011-1	212954-1	NEEDLE CAGE 810	S	4				
012	212072-5	NEEDLE CAGE 1010		4	*			
012-1	212954-1	NEEDLE CAGE 810	S	4				
013	226272-1	SPUR GEAR 20		4	*			
013-1	227117-6	SPUR GEAR 20	S	4				
014	216207-0	WASHER 2542		1				
015	256229-8	PIN 10		4	*			
015-1	256228-0	PIN 8	S	4				
016	266022-2	- SET SCREW(DOG POINT) M8X8		2				
017	226269-0	SPUR GEAR 25		4				
018	211044-7	BALL BEARING 694		4				
019	226270-5	SPUR GEAR 25		4				
020	212027-0	NEEDLE CAGE 811		4	*			
020-1	212954-1	NEEDLE CAGE 810	O	4				
021	226275-5	SPUR GEAR 11		1				
022	256227-2	PIN 8		4				
023	216207-0	WASHER 2542		1				
024	226273-9	SPUR GEAR 14		1				
025	256226-4	PIN 4		4				
026	216207-0	WASHER 2542		1	*			
026-1	216403-0	THRUST NEEDLE GAUGE 1528	X	1				
027	226277-1	INTERNAL GEAR 53-66		1	*			
027-1	227118-4	INTERNAL GEAR 53-66	S	1				
028	233098-4	COMPRESSION SPRING 4		1				
029	322667-7	BRACKET		1	*			

Model No. 6922NB SHEAR WRENCH

Item	Parts No.	Description	I/C	QTY	N/O	Opt. 1	Opt. 2	NOTE
029-1	323855-9	BRACKET	S	1				
030	257929-3	SPIRO LOCK WASHER 52		1				
031	257186-3	RING 44		1				
032	211221-1	BALL BEARING 6902		1				
033	911118-1	PAN HEAD SCREW M4X12		2				
034	922123-3	HEX. SOCKET HEAD BOLT M4X14		4				
035	415353-8	REAR COVER		1				
036	344062-1	STOPPER PLATE		1				
037	311930-3	ROD SUPPORTER		1				
038	211082-9	BALL BEARING 699		1				
039	226812-5	GEAR 14-41		1				
040	922123-3	HEX. SOCKET HEAD BOLT M4X14		4				
041-1	159930-3	GEAR CASE COMPLETE		1				
D10		INC. 42,66						
042	263002-9	RUBBER PIN 4		1				
043-1	210013-5	BALL BEARING 698VV		1				
044-1	226475-7	HELICAL GEAR 30		1				
045-1	212048-2	THRUST NEEDLE BEARING 617		1				
047-1	211097-6	BALL BEARING 6000LLB		1				
048	241873-4	FAN 55		1				
049C1	517193-1	ARMATURE ASS'Y 220V		1				
D10		INC. 48,50,52						
050	681614-0	INSULATION WASHER		1				
051	263014-2	RUBBER PIN 4		1				
052	211028-5	BALL BEARING 627LB		1				
053	421485-1	PROTECTOR		1				
054	643550-8	BRUSH HOLDER CAP 5-8		2				
055A_	191940-4	CARBON BRUSH CB-411		1	*			
055A1	195010-1	CARBON BRUSH CB-411	<	1				
056	159675-3	MOTOR HOUSING COMPLETE		1				
C11	643932-4	BRUSH HOLDER 6X9		2				
D10		INC. 51						
057-1	922909-5	HEX. SOCKET HEAD BOLT M4X35		4				
058	922148-7	HEX. SOCKET HEAD BOLT M4X25		4				
059-3	134788-1	GEAR HOUSING ASSY		1				
C10	344470-6	BEARING RETAINER		1				
C20	911111-5	PAN HEAD SCREW M4X10		3				
D10		INC. 47						
060C_	593268-0	FIELD ASS'Y 220V		1				
C10	654100-4	RING TERMINAL		2				
C20	654501-6	CONNECTOR P-1.25		2				
061	415350-4	BAFFLE PLATE		1				
063	211033-2	BALL BEARING 608LB		1	*			
063-1	211031-6	BALL BEARING 608LLB	O	1				
064-1	226476-5	HELICAL GEAR 18		1				
065-1	211097-6	BALL BEARING 6000LLB		1				
066	263002-9	RUBBER PIN 4		1				
067-1	134790-4	GEAR ASSY		1				

