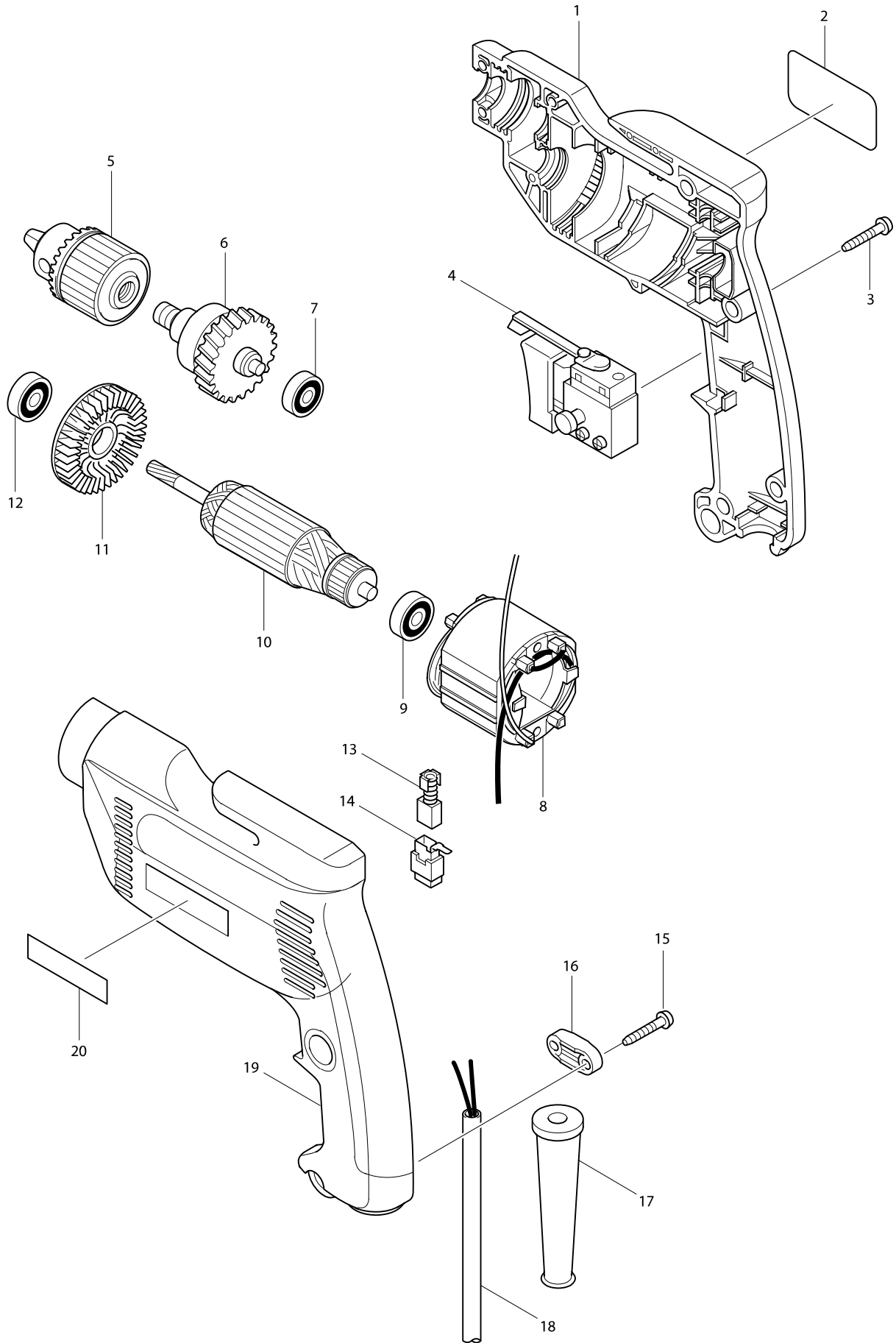


Model No. 6307 DRILL 13MM



Model No. 6307 DRILL 13MM

Item	Parts No.	Description	I/C	QTY	N/O	Opt. 1	Opt. 2	NOTE
001	182862-9	HOUSING SET		1	*			
D10		INC. 19			*			
001-1	182862-9	HOUSING SET	X	1				
D10		INC. 19						
002	859269-1	NAME PLATE 6307		1				
003	265995-6	TAPPING SCREW 4X18		8				
004A_	651952-4	SWITCH 8653C721AD 200V-240V		1	*			
004A1	651987-5	SWITCH	X	1	*			
004A2	651987-5	SWITCH	X	1	*			
004A3	651987-5	SWITCH	O	1	*			
004A4	651986-7	SWITCH TG803TLB-1	O	1				
005	763115-1	DRILL CHUCK S13		1				
006	153253-1	GEAR COMPLETE		1				
007	211020-1	BALL BEARING 626Z		1	*			
007-1	210047-8	BALL BEARING 626Z	O	1				
008A_	633338-4	FIELD 220/240V		1				
009	211030-8	BALL BEARING 627Z		1				
010A_	517198-1	ARMATURE ASS'Y 220/240V		1				
D10		INC. 9,11,12						
011	241881-5	FAN 52		1				
012	211030-8	BALL BEARING 627Z		1				
013A_	191962-4	CARBON BRUSH CB-419		1	*			
013A1	195015-1	CARBON BRUSH CB-419	<	1				
014-1	643936-6	BRUSH HOLDER		2				
015	265995-6	TAPPING SCREW 4X18		2				
016	687053-2	STRAIN RELIEF		1				
017	682504-0	CORD GUARD 10-85		1				
018A_	691015-4	POWER SUPPLY CORD 0.75-2-2.5		1				
019	182862-9	HOUSING SET		1	*			
D10		INC. 1			*			
019-1	182862-9	HOUSING SET	X	1				
D10		INC. 1						
020	819063-3	MAKITA LABEL		1				
A01	763430-3	CHUCK KEY S13		1				
E03	410102-8	KEY HOLDER		1				
E04	191962-4	CARBON BRUSH CB-419		2	*			
E04-1	195015-1	CARBON BRUSH CB-419	<	2				
E05	534023-1	LEAD ASS'Y (ORANGE)		1				
E06	534024-9	LEAD ASS'Y (PURPLE)		1				
E07	534027-3	LEAD ASS'Y (BLACK)		1				