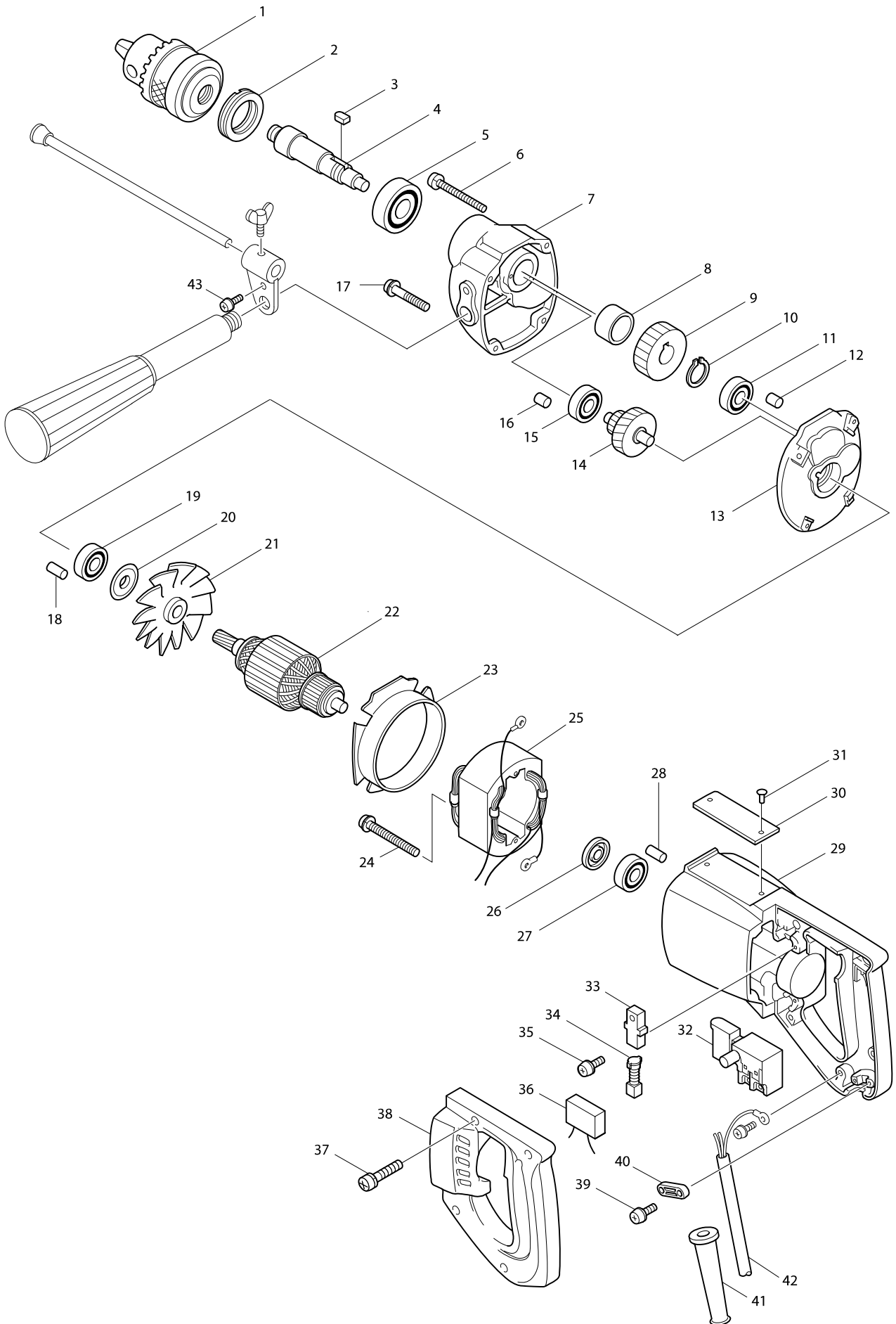


# Model No. 6301 DRILL 13MM



# Model No. 6301 DRILL 13MM

Item	Parts No.	Description	I/C	QTY	N/O	Opt. 1	Opt. 2	NOTE
001-1	192877-8	DRILL CHUCK S13		1				
002	285806-9	BEARING RETAINER 19-36		1				
003	254211-1	KEY 5		1				
004	325547-6	SPINDLE		1				
005	211206-7	BALL BEARING 6202LLB		1				
006	911261-6	PAN HEAD SCREW M5X40		2				
007	156978-6	GEAR HOUSING		1				
D10		INC. 16						
008	257018-4	RING 15		1				
009	221019-8	SPUR GEAR 38		1				
010	961054-1	RETAINING RING S-14		1				
011	211031-6	BALL BEARING 608LLB		1				
012	263002-9	RUBBER PIN 4		1				
013	156436-2	GEAR HOUSING COVER		1				
C10	214001-4	PLANE BEARING 8		1				
D10		INC. 12,18						
014	226012-7	GEAR COMPLETE 13-41		1				
015	211031-6	BALL BEARING 608LLB		1				
016	263002-9	RUBBER PIN 4		1				
017	911251-9	PAN HEAD SCREW M5X30		2				
018	263002-9	RUBBER PIN 4		1				
019	211031-6	BALL BEARING 608LLB		1				
020	213002-9	DUST SEAL 8		1				
021-1	241518-4	FAN 68		1				
022C_	512653-8	ARMATURE ASS'Y 220V		1				
D10		INC. 19-21,26,27						
023	341438-3	BAFFLE PLATE		1				
024-2	911275-5	PAN HEAD SCREW M5X50		2				
025C_	522458-8	FIELD ASS'Y 220V		1	*			
C10	654038-3	INSULATED TERMINAL FT1.25-M4		2	*			
025C1	522458-8	FIELD ASS'Y 220V	<	1				
C10	654038-3	INSULATED TERMINAL FT1.25-M4		2	*			
C11	654038-3	INSULATED TERMINAL FT1.25-M4	O	2	*			
C12	654038-3	INSULATED TERMINAL FT1.25-M4	O	2	*			
C13	654038-3	INSULATED TERMINAL FT1.25-M4	O	2				
026	213002-9	DUST SEAL 8		1				
027	211031-6	BALL BEARING 608LLB		1				
028	263002-9	RUBBER PIN 4		1				
029	156977-8	MOTOR HOUSING		1	*			
D10		INC. 28			*			
029-1	159234-3	MOTOR HOUSING	S	1				
D10		INC. 28						
030	815256-0	NAME PLATE 6301		1				
031	953106-2	RIVET 0-5		2				
032-2	651240-9	SWITCH SGEL115CD	O	1				
033-1	643605-9	BRUSH HOLDER		2				
034-1	181410-1	CARBON BRUSH CB-106		1	*			
034-2	194976-2	CARBON BRUSH CB-106	<	1				

