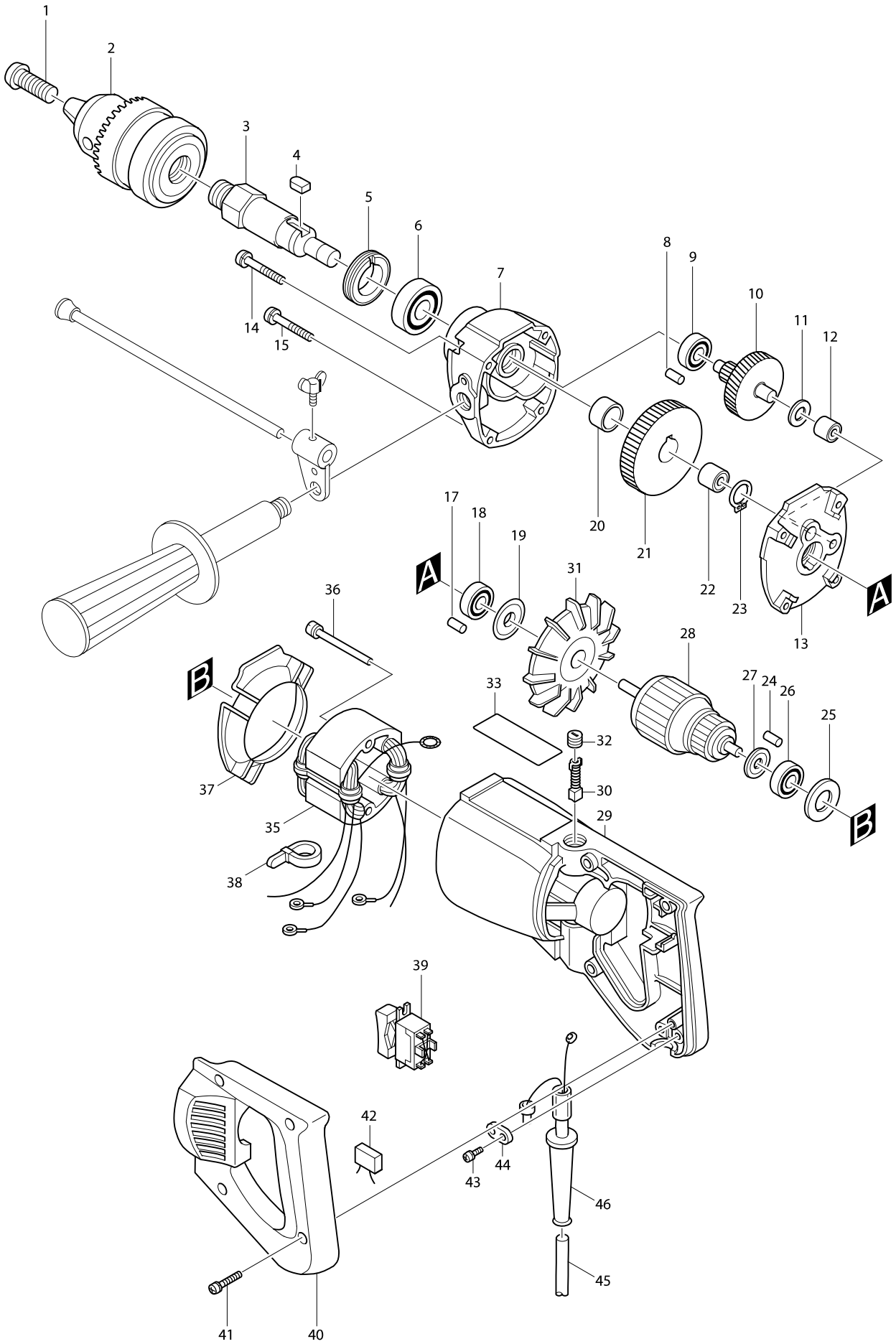


# Model No. 6300LR ANGLE DRILL 13MM



# Model No. 6300LR ANGLE DRILL 13MM

Item	Parts No.	Description	I/C	QTY	N/O	Opt. 1	Opt. 2	NOTE
001-1	265325-1	HEX. SOCKET HEAD BOLT M6X22		1				
002-1	192877-8	DRILL CHUCK S13		1				
003	325494-1	SPINDLE		1				
004	254211-1	KEY 5		1				
005	285808-5	BEARING RETAINER 25-36		1				
006	211206-7	BALL BEARING 6202LLB		1				
007	156974-4	GEAR HOUSING		1				
D10		INC. 8						
008	263002-9	RUBBER PIN 4		1				
009	211016-2	BALL BEARING 626LLB		1				
010	226028-2	GEAR COMPLETE 7-41		1				
011	261008-1	FIBER WASHER 6		1				
012	212012-3	NEEDLE BEARING 609		1				
013	156973-6	GEAR HOUSING COVER		1				
D10		INC. 17						
014	911276-3	PAN HEAD SCREW M5X55		2				
015	911256-9	PAN HEAD SCREW M5X35		2				
017	263002-9	RUBBER PIN 4		1				
018	211031-6	BALL BEARING 608LLB		1				
019	213002-9	DUST SEAL 8		1				
020	257018-4	RING 15		1				
021	221261-1	SPUR GEAR 47		1				
022	961054-1	RETAINING RING S-14		1				
023	212003-4	NEEDLE BEARING 810		1				
024	263002-9	RUBBER PIN 4		1				
025	253192-6	FLAT WASHER 14		1				
026	211031-6	BALL BEARING 608LLB		1				
027	681603-5	INSULATION WASHER		1	*			
027-1	681613-2	INSULATION WASHER	O	1				
028C_	512559-0	ARMATURE ASS'Y 220V		1				
D10		INC. 18,19,26,27,31						
029-1	156425-7	MOTOR HOUSING		1				
030	181021-2	CARBON BRUSH CB-51		1	*			
030-1	194963-1	CARBON BRUSH SET CB-51	<	1				
031	241622-9	FAN 62		1				
032	643550-8	BRUSH HOLDER CAP 5-8		2				
033	815027-5	NAME PLATE 6300LR		1				
035C_	522399-8	FIELD ASS'Y 220V		1				
C10	654018-9	RING TERMINAL		1				
C20	654501-6	CONNECTOR P-1.25		1				
036-1	911275-5	PAN HEAD SCREW M5X50		2				
037	411399-2	BAFFLE PLATE		1				
038	687010-0	BAND		1				
039-2	651564-3	SWITCH SL220SD-4	O	1				
040	411417-6	HANDLE COVER		1				
041	911153-9	PAN HEAD SCREW M4X28		4				
043-1	911133-5	PAN HEAD SCREW M4X18		2				
044	687001-1	STRAIN RELIEF		1				

