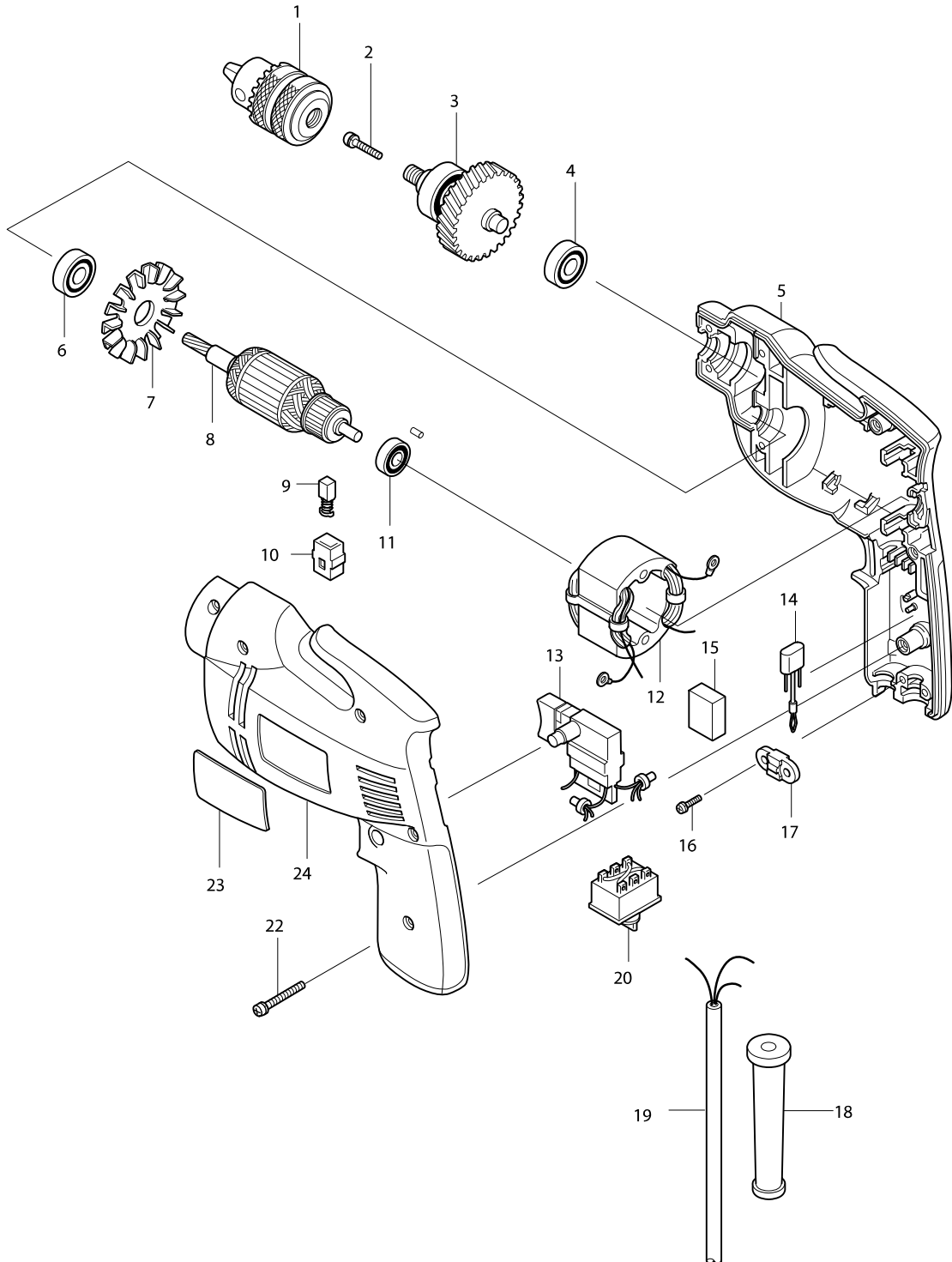


Model No. 6010BVR DRILL 10MM



Model No. 6010BVR DRILL 10MM

Item	Parts No.	Description	I/C	QTY	N/O	Opt. 1	Opt. 2	NOTE
001-3	763054-5	DRILL CHUCK S10		1	*			
001-4	192970-8	DRILL CHUCK	O	1				
003-1	153115-3	GEAR COMPLETE		1				
C10	211119-2	BALL BEARING 6201Z		1				
C20	257011-8	RING 12		1				
C30	221646-1	HELICAL GEAR 68		1				
C40	321078-3	SPINDLE		1				
004	211030-8	BALL BEARING 627Z		1				
005	181318-9	HOUSING SET		1				
C11	816266-0	INDICATION LABEL		1				
C20	817609-9	CAUTION LABEL		1				
D10		INC. 24						
006	211030-8	BALL BEARING 627Z		1				
007	241503-7	FAN 52		1				
008C1	511753-1	ARMATURE ASS'Y 220V		1				
D10		INC. 6,7,11						
009B_	191627-8	CARBON BRUSH CB-64		1	*			
009B1	194968-1	CARBON BRUSH CB-64	<	1				
010	643552-4	BRUSH HOLDER 5-8		2				
011	211020-1	BALL BEARING 626Z		1	*			
011-1	210047-8	BALL BEARING 626Z	O	1				
012C_	521368-6	FIELD ASS'Y 220V		1				
C12	654002-4	TERMINAL 1.25-M4		1				
013A_	531013-5	SWITCH ASS'Y SGEL204CB		1	*			
013A1	651256-4	SWITCH SGEL106CV-1A	O	1				
016-1	911133-5	PAN HEAD SCREW M4X18		2				
017	687001-1	STRAIN RELIEF		1				
018	682504-0	CORD GUARD 10-85		1				
019R1	691015-4	POWER SUPPLY CORD 0.75-2-2.5		1				
020C_	651478-6	SWITCH VTX11		1				
022	911148-2	PAN HEAD SCREW M4X25		7				
023	815121-3	NAME PLATE 6010BVR		1				
024	181318-9	HOUSING SET		1				
C11	816266-0	INDICATION LABEL		1				
C20	817609-9	CAUTION LABEL		1				
D10		INC. 5						
400-2	763418-3	CHUCK KEY S10		1				
401	411780-7	KEY HOLDER 10		1				