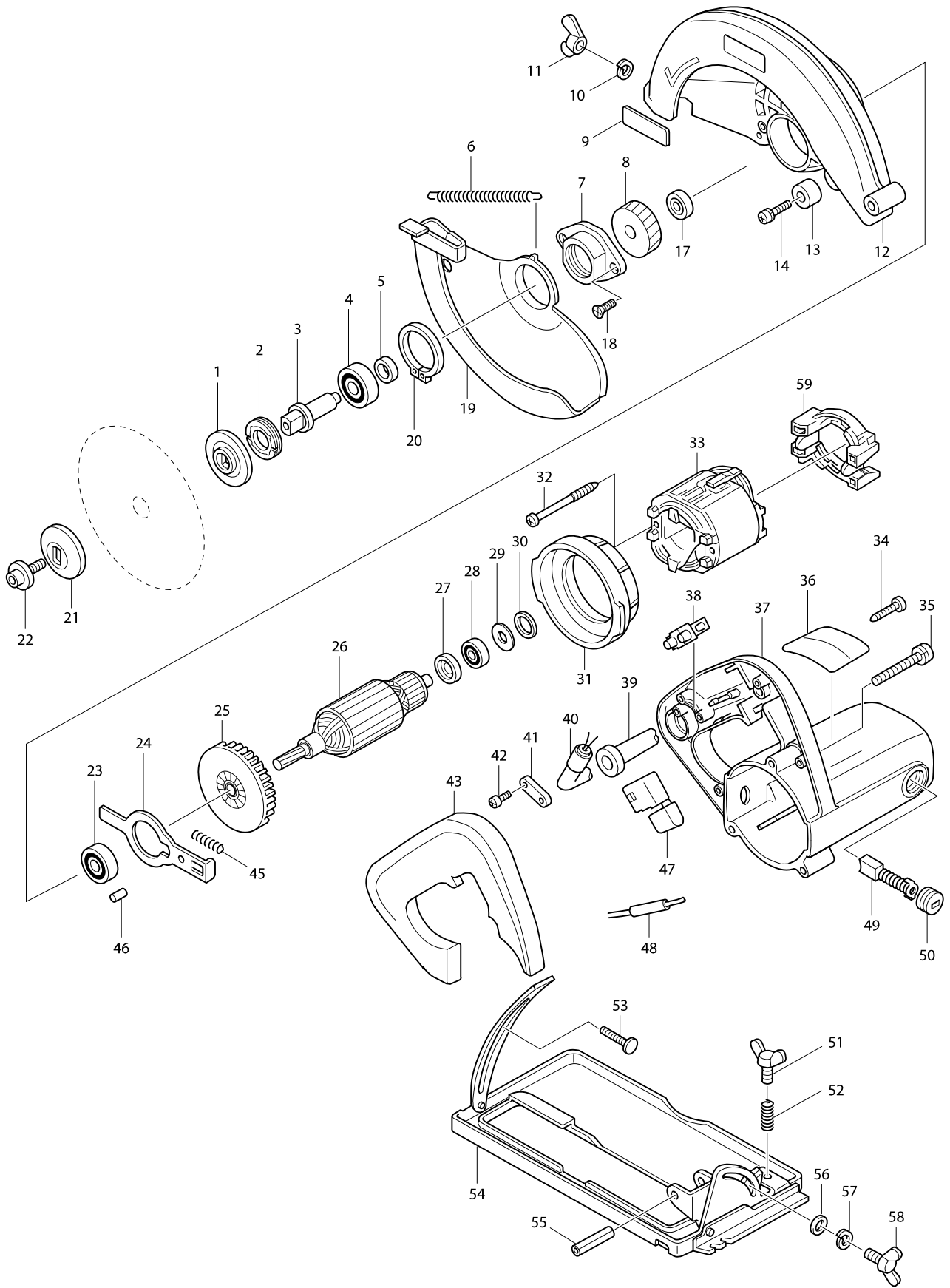


Model No. 5606B CIRCULAR SAW 160MM



Model No. 5606B CIRCULAR SAW 160MM

Item	Parts No.	Description	I/C	QTY	N/O	Opt. 1	Opt. 2	NOTE
001	224180-0	INNER FLANGE 45		1				
002	285802-7	BEARING RETAINER 19-33		1				
003	322838-6	SPINDLE		1				
004	211129-9	BALL BEARING 6201DDW		1				
005	257173-2	RING 12		1				
006	231809-1	TENSION SPRING 4		1				
007	316849-1	BEARING BOX		1				
008	226467-6	HELICAL GEAR 47		1				
009	819063-3	MAKITA LABEL		1	*			
010	942151-2	SPRING WASHER 6		1				
011	934301-3	WING NUT M6		1				
012	152519-6	BLADE CASE COMPLETE		1	*			
D10		INC. 46			*			
012-1	153665-8	BLADE CASE COMPLETE	O	1				
D10		INC. 46						
013	262502-6	RUBBER SLEEVE 6		1				
014	251247-1	+ PAN HEAD SCREW M6X20		1				
017	211014-6	BALL BEARING 606		1	*			
017-1	211012-0	BALL BEARING 606ZZ	O	1				
018	912222-9	COUNTERSUNK HEAD SCREW M5X16		2	*			
018-1	265034-2	+ COUNTERSUNK HEAD SCREW M5X	X	2				
019	165052-9	SAFETY COVER COMPLETE		1	*			
019-1	165368-2	SAFETY COVER	O	1				
020	961155-5	RETAINING RING S-38		1				
021	224329-2	OUTER FLANGE 45		1				
022	266024-8	HEX. SOCKET HEAD BOLT M6X20		1				
023	211097-6	BALL BEARING 6000LLB		1				
024	344317-4	SHAFT LOCK		1				
025	241858-0	FAN 70		1				
026	516278-0	ARMATURE ASS'Y 220V		1				
D10		INC.23,25,27,28						
027	681613-2	INSULATION WASHER		1				
028	211033-2	BALL BEARING 608LB		1				
029	253192-6	FLAT WASHER 14		1				
030-1	261109-5	RUBBER WASHER 13		1				
031	415873-2	BAFFLE PLATE		1				
032-2	266095-5	TAPPING SCREW 5X55		2				
033	634153-9	FIELD 220V		1				
034-1	266045-0	TAPPING SCREW 4X20		4				
035	911268-2	PAN HEAD SCREW M5X45		3				
036-1	851561-1	NAME PLATE 5606B		1	*			
036-2	851561-1	NAME PLATE 5606B	O	1				
037A_	159909-4	MOTOR HOUSING COMPLETE		1				
C11	643708-9	BRUSH HOLDER 5-11		2				
039A_	682504-0	CORD GUARD 10-85		1				
040J_	691015-4	POWER SUPPLY CORD 0.75-2-2.5		1				
041A_	687053-2	STRAIN RELIEF		1	*			
041A1	687140-7	STRAIN RELIEF	O	1				

