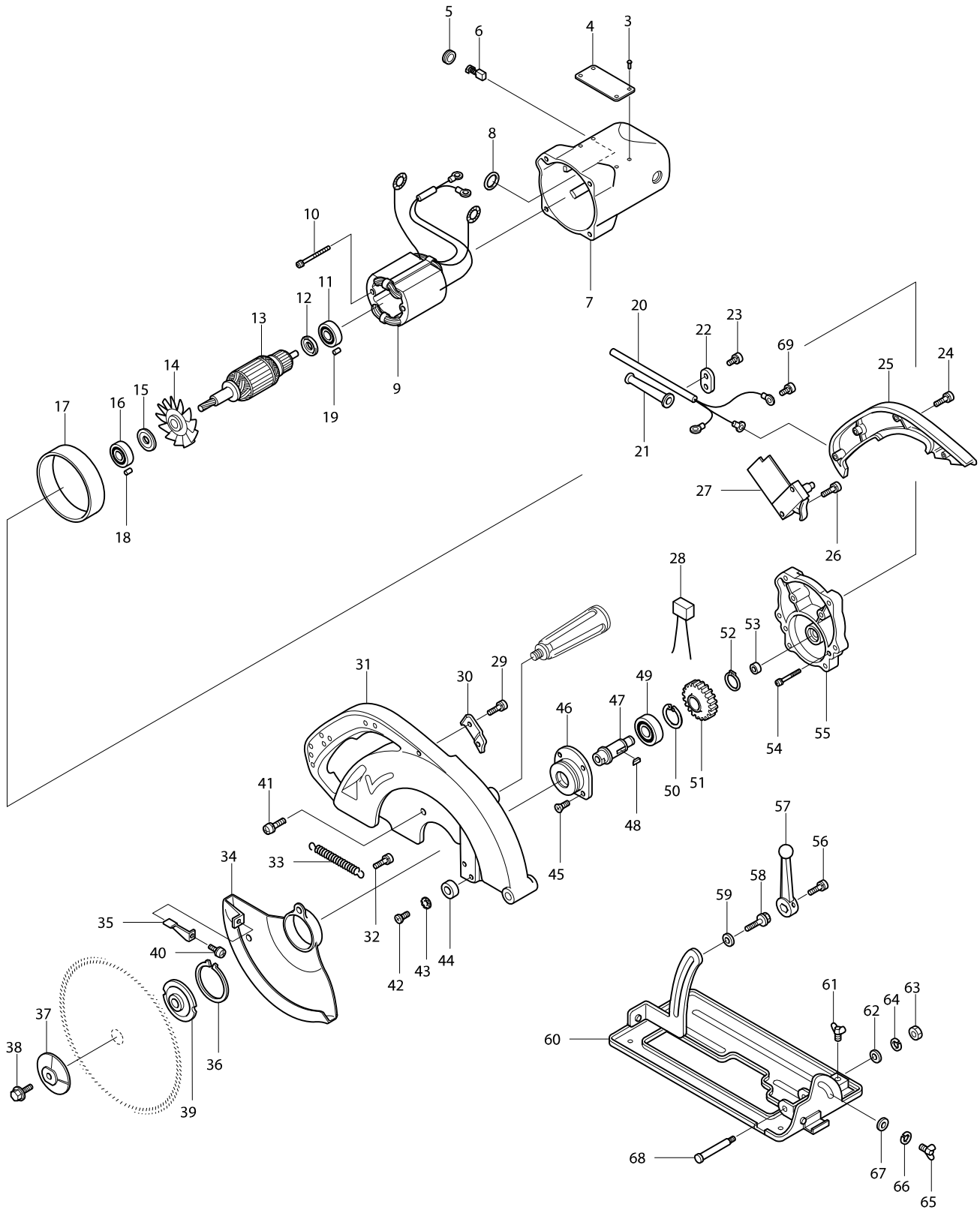


Model No. 5201N CIRCULAR SAW 260MM



Model No. 5201N CIRCULAR SAW 260MM

Item	Parts No.	Description	I/C	QTY	N/O	Opt. 1	Opt. 2	NOTE
003-1	953106-2	RIVET 0-5		2				
004	815308-7	NAME PLATE 5201N		1				
005	643650-4	BRUSH HOLDER CAP 6.5-13.5		2				
006-1	181044-0	CARBON BRUSH CB-153		1	*			
006-2	194985-1	CARBON BRUSH CB-153	<	1				
007	156600-5	MOTOR HOUSING		1				
C10	643653-8	BRUSH HOLDER 6.5-13.5		2				
C20	913206-0	SET SCREW M5X8		2				
D10		INC. 19						
008	681002-1	INSULATION WASHER		2				
009C_	524558-0	FIELD ASS'Y 220V		1				
C10	654020-2	RING TERMINAL		2				
C20	654502-4	CONNECTOR P-2		2				
010-1	911290-9	PAN HEAD SCREW M5X65		2				
011	211066-7	BALL BEARING 6200LLB		1				
012	213051-6	DUST SEAL 10		1				
013B_	510007-3	ARMATURE ASS'Y 220V		1				
D10		INC. 11,12,14,15,16						
014	241064-7	FAN 106		1				
015	213202-1	DUST SEAL 15		1				
016	211206-7	BALL BEARING 6202LLB		1				
017	343119-5	BAFFLE PLATE		1				
018	263005-3	RUBBER PIN 6		1				
019	263002-9	RUBBER PIN 4		1				
020T1	691346-1	POWER SUPPLY CORD 1.25-3-5.0		1				
021	682506-6	CORD GUARD 12-90		1				
022-1	687054-0	STRAIN RELIEF	X	1				
023-1	911133-5	PAN HEAD SCREW M4X18	X	2				
024	911151-3	PAN HEAD SCREW M4X28		3				
025	315158-5	HANDLE COVER F/LOCK		1				
026	911106-8	PAN HEAD SCREW M4X8		2				
027-1	651016-4	SWITCH HPAHR2-2	O	1				
029	911106-8	PAN HEAD SCREW M4X8		2				
030	341540-2	LEAD COVER		1				
031-2	315744-2	BLADE CASE		1	*			
031-3	316697-8	BLADE CASE	S	1				
032-1	251445-7	- FLAT HEAD SCREW M4		1				
033-1	231767-1	TENSION SPRING 5		1				
034-1	312533-6	SAFETY COVER		1				
035	342462-9	LEVER		1	*			
035-1	344966-7	LEVER	X	1				
036	961252-7	RETAINING RING S-55		1				
037	224053-7	OUTER FLANGE 65		1				
038	251644-1	HEX. FLANGE HEAD BOLT M8X20		1	*			
038-1	265408-7	HEX. SOCKET HEAD BOLT M8X20	X	1				
039	224181-8	INNER FLANGE 65		1				
040	911211-1	PAN HEAD SCREW M5X12		1				
041	911246-2	PAN HEAD SCREW M5X28		4				

