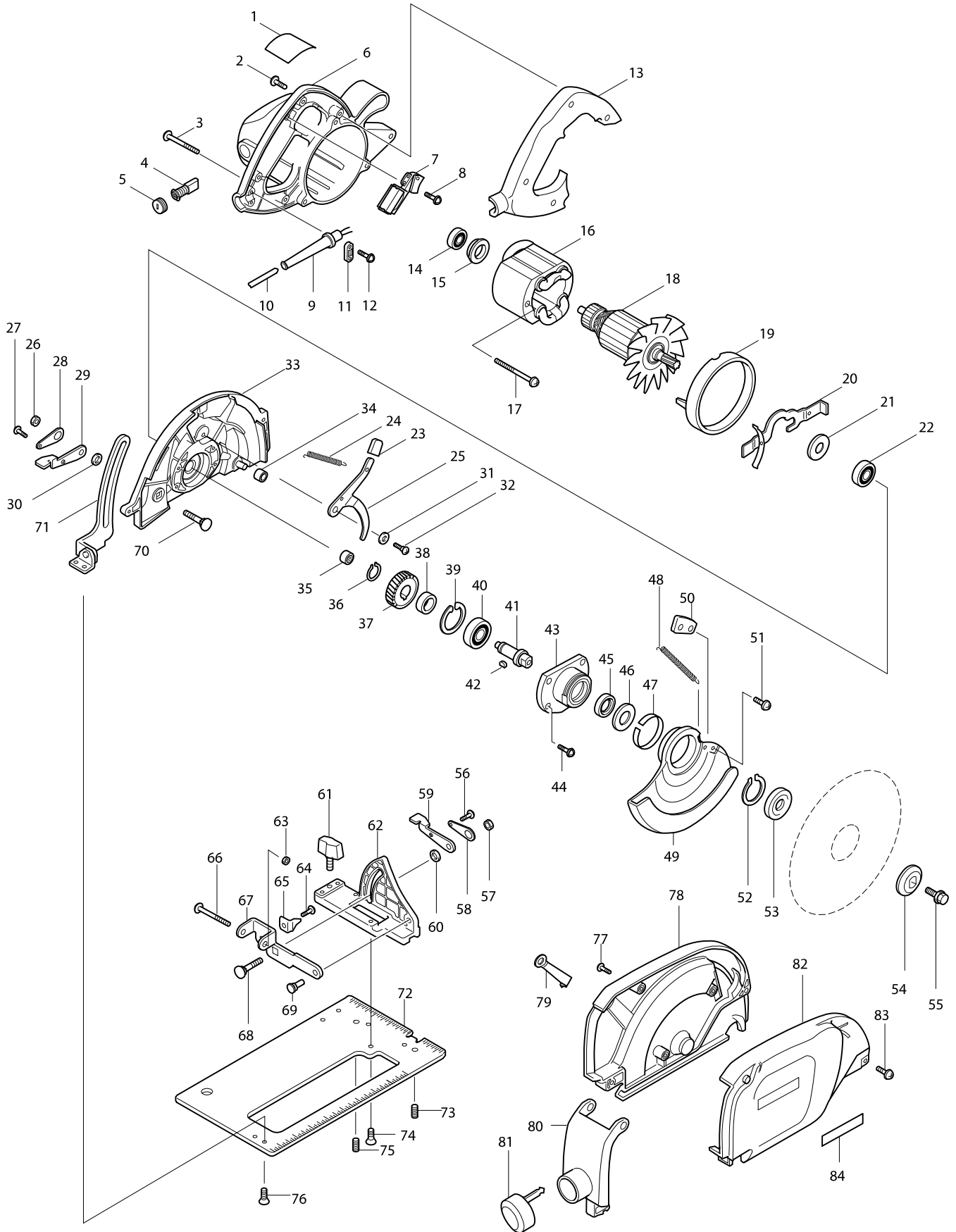


Model No. 5057KB CIRCULAR SAW 185MM



Model No. 5057KB CIRCULAR SAW 185MM

Item	Parts No.	Description	I/C	QTY	N/O	Opt. 1	Opt. 2	NOTE
001	851831-8	NAME PLATE 5057KB		1				
002	911148-2	PAN HEAD SCREW M4X25		4				
003	911273-9	PAN HEAD SCREW M5X50		3				
004A_	181044-0	CARBON BRUSH CB-153		1	*			
004A1	194985-1	CARBON BRUSH CB-153	<	1				
005	643650-4	BRUSH HOLDER CAP 6.5-13.5		2				
006	151554-1	MOTOR HOUSING COMPLETE		1	*			
C10	643660-1	BRUSH HOLDER 6.5-13.5		2	*			
006-1	153920-8	MOTOR HOUSING COMPLETE	S	1				
C10	643660-1	BRUSH HOLDER 6.5-13.5		2				
007A1	651168-1	SWITCH TG923TN-1		1	*			
007A2	651172-0	SWITCH TG933TN-1	O	1				
008	266020-6	TAPPING SCREW 4X12		1				
009A_	682503-2	CORD GUARD 8-90		1	*			
009A1	682505-8	CORD GUARD 10-90	S	1				
010B1	699015-8	POWER SUPPLY CORD 1.5-2-5.0		1	*			
010B2	691025-1	POWER SUPPLY CORD 0.75-2-5.0	S	1				
011	687001-1	STRAIN RELIEF		1	*			
011-1	687053-2	STRAIN RELIEF	S	1				
012	265995-6	TAPPING SCREW 4X18		2				
013	410201-6	HANDLE COVER		1				
014	210005-4	BALL BEARING 608DDW		1				
015	681625-5	INSULATION WASHER		1				
016B_	590012-6	FIELD ASS'Y 220V		1	*			
C10	654020-2	RING TERMINAL		2	*			
C20	654553-7	CONNECTOR 34137		2	*			
016B1	596068-7	FIELD ASS'Y 220V	O	1				
C10	654020-2	RING TERMINAL		2				
C20	654502-4	CONNECTOR P-2		2				
017	266046-8	TAPPING SCREW 5X50		2				
018B_	510040-5	ARMATURE ASS'Y 220V		1				
C10	241513-4	FAN 92		1				
D10		INC. 14,15,21,22						
019	415603-1	FAN GUIDE		1				
020	163113-9	SPINDLE LOCK		1				
021	213102-5	DUST SEAL 12		1				
022	211129-9	BALL BEARING 6201DDW		1				
023	421676-4	RUBBER CAP		1				
024	231823-7	TENSION SPRING 4		1				
025	344759-2	OPEN LEVER		1				
026	931402-8	HEX. NUT M8		1				
027	911106-8	PAN HEAD SCREW M4X8		1				
028	341415-5	LOCK PLATE		1				
029	341416-3	LEVER PLATE		1				
030-1	253766-3	FLAT WASHER 8		1				
031	941201-0	FLAT WASHER 8		1				
032	251267-5	+ PAN HEAD SCREW M6		1				
033-3	153302-4	GEAR HOUSING COMPLETE		1				

Model No. 5057KB CIRCULAR SAW 185MM

Item	Parts No.	Description	I/C	QTY	N/O	Opt. 1	Opt. 2	NOTE
C10	213459-4	O RING 32		1				
D10		INC. 35						
034	262523-8	RUBBER SLEEVE 6		1				
035	212052-1	NEEDLE BEARING 1010		1				
036-1	961055-9	RETAINING RING S-15		1				
037-1	226532-1	HELICAL GEAR 39		1				
038	257064-7	RING 15		1				
039	962153-2	RETAINING RING R-35		1				
040	211228-7	BALL BEARING 6202DDW		1				
041-2	324257-2	SPINDLE		1				
043	317187-4	BEARING BOX		1				
044	911126-2	PAN HEAD SCREW M4X16		4				
045	213319-0	OIL SEAL 20		1				
046	344758-4	LABYRINTH RING		1				
047	344808-5	THICKNESS RING		1				
048	231806-7	TENSION SPRING 4		1	*			
048-1	231828-7	TENSION SPRING 4	S	1				
049	317159-9	SAFETY COVER		1	*			
049-1	318351-0	SAFETY COVER	S	1	*			
049-2	319309-2	SAFETY COVER	<	1				
050	344760-7	SUB PLATE		1				
051	911111-5	PAN HEAD SCREW M4X10		2				
052	961201-4	RETAINING RING S-42		1				
053A_	224199-9	INNER FLANGE 40		1	*			
053A1	224397-5	INNER FLANGE 40	<	1				
054	224275-9	OUTER FLANGE 40		1				
055	251644-1	HEX. FLANGE HEAD BOLT M8X20		1				
056	911106-8	PAN HEAD SCREW M4X8		1				
057	931402-8	HEX. NUT M8		1				
058	341415-5	LOCK PLATE		1				
059	341416-3	LEVER PLATE		1				
060-1	253766-3	FLAT WASHER 8		1				
061	251858-2	SCREW M6X15		1				
062	317160-4	ANGULAR PLATE		1				
063	252103-8	HEX. LOCK NUT M5-8		1				
064	911108-4	PAN HEAD SCREW M4X8		1	*			
065	344762-3	INDICATION PLATE		1	*			
066	265075-8	+ PAN HEAD SCREW M5		1				
067	344763-1	ANGULAR GUIDE		1	*			
067-1	345491-1	ANGULAR GUIDE	S	1				
068	266227-4	CAP SQUARE NECK BOLT M8X28		1				
069	256442-8	SHOULDER PIN 6-7		1				
070	265965-5	CAP SQUARE NECK BOLT M8X24		1				
071	163409-8	DEPTH GUIDE		1				
072	317186-6	BASE		1				
073-1	266213-5	H.S.SET SCREW(FLAT POINT)M5X12		1				
074	912212-2	COUNTERSUNK HEAD SCREW M5X12		5				
075-1	266213-5	H.S.SET SCREW(FLAT POINT)M5X12		1				

