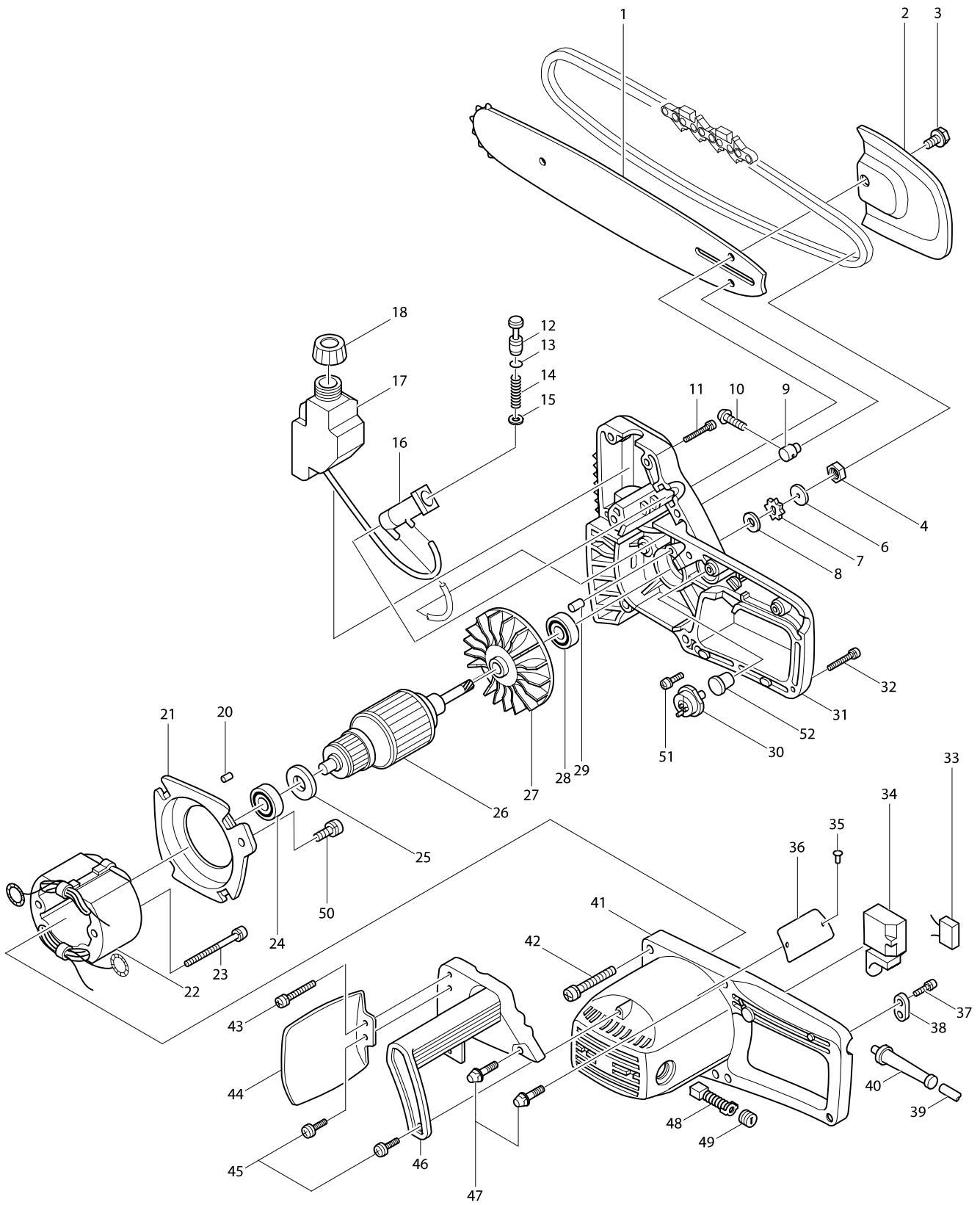


Model No. 5012B CHAIN SAW 300MM



Model No. 5012B CHAIN SAW 300MM

Item	Parts No.	Description	I/C	QTY	N/O	Opt. 1	Opt. 2	NOTE
001	164533-0	GUIDE BAR		1				
002	341561-4	CHAIN COVER		1				
003	251697-0	HEX. FLANGE HEAD BOLT M8X17		1				
004-1	252070-7	HEX. LOCK NUT M8-13		1				
006	253814-8	FLAT WASHER 8		1				
007	221514-8	SPROCKET 6		1				
008	253813-0	FLAT WASHER 12		1				
009	321260-4	ADJUST PIN		1				
010	251293-4	+ FLAT HEAD SCREW M5X25		1	*			
010-1	251210-4	+ PAN HEAD SCREW M5X25	O	1				
011	911263-2	PAN HEAD SCREW M5X40		1				
012	321261-2	PLUNGER		1				
013	213003-7	O RING 6		1				
014	231294-8	COMPRESSION SPRING 6		1				
015	253811-4	FLAT WASHER 5		1				
016-1	152252-0	CASING COMPLETE		1				
C10	216008-6	STEEL BALL 4		1				
C20	213014-2	O RING 3		1				
017-1	155811-9	OIL VESSEL COMPLETE		1				
018	242022-6	CAP		1				
020	263005-3	RUBBER PIN 6		1				
021-1	411736-0	BAFFLE PLATE		1				
022C_	524583-1	FIELD ASS'Y 220V		1				
C10	654020-2	RING TERMINAL		1				
C20	654502-4	CONNECTOR P-2		1				
023-1	911290-9	PAN HEAD SCREW M5X65		2				
024	211068-3	BALL BEARING 6200LB		1				
025-1	681623-9	INSULATION WASHER		1				
026C_	514628-3	ARMATURE ASS'Y 220V		1				
D10		INC. 24-28						
027	241632-6	FAN 90		1				
028	211206-7	BALL BEARING 6202LLB		1				
029	263005-3	RUBBER PIN 6		1				
030A_	652519-1	OVERLOAD PROTECTOR 200V-240V		1				
031-2	156709-3	MOTOR HOUSING COVER		1				
C10	817653-6	CAUTION LABEL		1				
C20	817675-6	CAUTION LABEL		1				
D10		INC. 29						
032	911153-9	PAN HEAD SCREW M4X28		4				
034-1	651203-5	SWITCH SGE115CDY		1				
035	953106-2	RIVET 0-5		2				
036	815477-4	NAME PLATE 5012B		1				
037-1	911133-5	PAN HEAD SCREW M4X18		2				
038	687000-3	STRAIN RELIEF		1				
039A1	691227-9	POWER SUPPLY CORD 1.25-2-5.0		1				
040	682504-0	CORD GUARD 10-85		1				
041-2	156433-8	MOTOR HOUSING		1				
C10	643653-8	BRUSH HOLDER 6.5-13.5		2				

