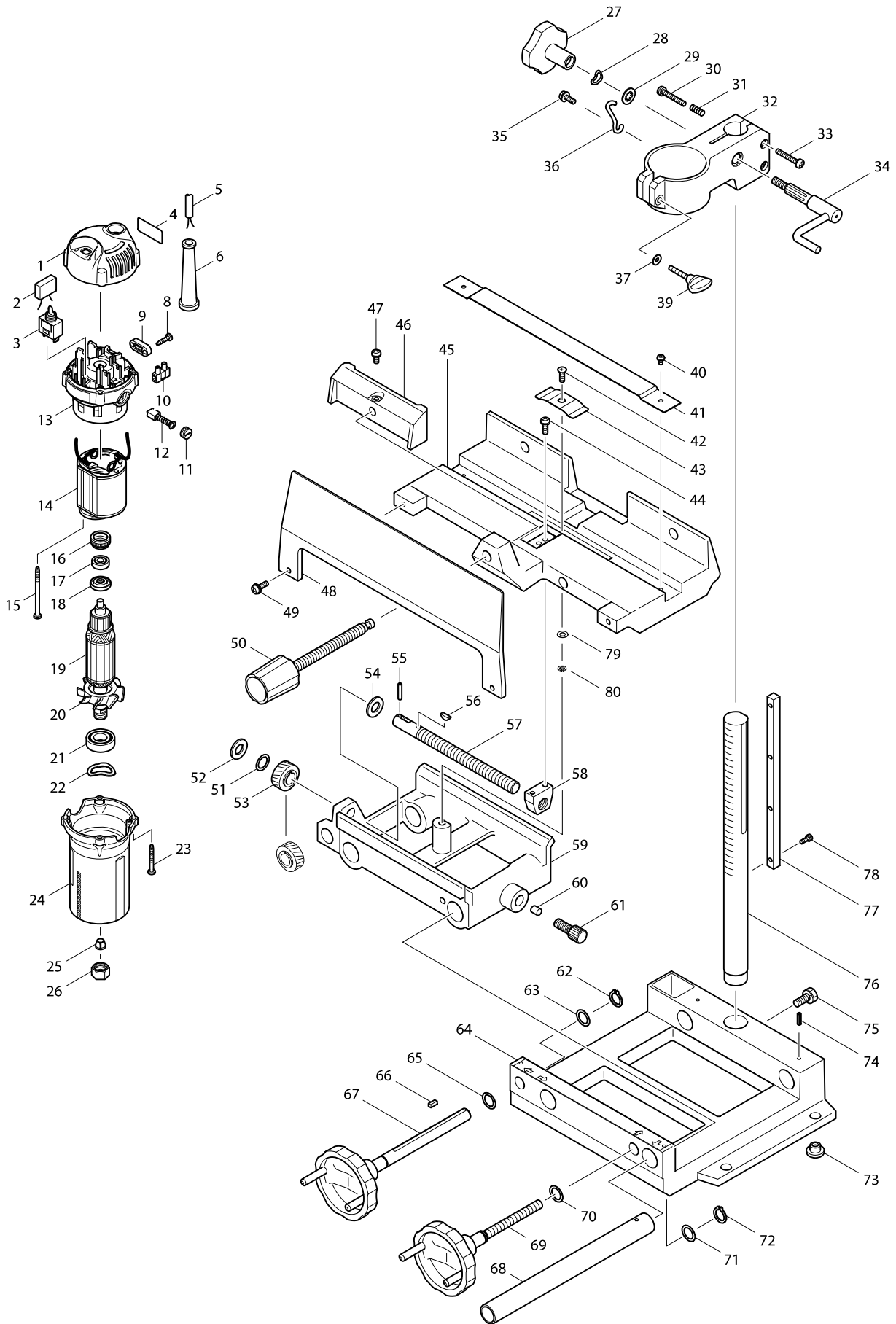


# Model No. 4403 SASH ROUTER 6MM



# Model No. 4403 SASH ROUTER 6MM

Item	Parts No.	Description	I/C	QTY	N/O	Opt. 1	Opt. 2	NOTE
001	419137-6	TOP COVER		1				
003	651425-7	SWITCH STL115ADT		1				
004	861801-9	4403 NAME PLATE		1				
005	691065-9	POWER SUPPLY CORD 0.75-2-2.5		1				
006	682569-2	CORD GUARD 8-85		1				
008	266326-2	TAPPING SCREW 4X18		2				
009	687124-5	STRAIN RELIEF		1				
011	643550-8	BRUSH HOLDER CAP 5-8		2				
012	191940-4	CARBON BRUSH CB-411		1	*			
012-1	195010-1	CARBON BRUSH CB-411	<	1				
013	154669-3	BRACKET COMPLETE		1				
C10	643455-2	BRUSH HOLDER 6X9		2				
014	590018-4	FIELD ASS'Y 220V		1				
C10	654100-4	RING TERMINAL		2				
C20	654501-6	CONNECTOR P-1.25		2				
015	266340-8	TAPPING SCREW 4X65		2				
016	421494-0	RUBBER RING 19		1				
017	210034-7	BALL BEARING 607LLB		1				
018	681668-7	INSULATION WASHER		1	*			
018-1	681668-7	INSULATION WASHER	O	1				
019	515633-3	ARMATURE ASS'Y 220V		1	*			
D10		INC. 17,18,20,21			*			
019-1	510275-8	ARMATURE ASS'Y 220V	O	1				
D10		INC. 17,18,20,21						
020	241667-7	FAN 52		1				
021	211223-7	BALL BEARING 6002DDW		1	*			
021-1	211223-7	BALL BEARING 6002DDW	O	1	*			
021-2	211489-9	BALL BEARING 6002LLUX	O	1				
022	267785-3	WAVE WASHER 23		1				
023	266351-3	TAPPING SCREW 4X35		4				
024	154668-5	MOTOR HOUSING COMPLETE		1				
C10	816817-9	SCALE LABEL		1				
025	763663-0	COLLET CONE 6.35		1				
026	763661-4	COLLET NUT 6		1				
027	271223-9	KNOB 60		1				
028	253904-7	WAVE WASHER 12		1				
029	253931-4	TOOTHED LOCK WASHER 8		1				
030	911256-9	PAN HEAD SCREW M5X35		1				
031	231007-7	COMPRESSION SPRING 6		1				
032	311163-0	ARM		1				
033	911256-9	PAN HEAD SCREW M5X35		2				
034	154047-7	HANDLE		1				
035	911224-2	PAN HEAD SCREW M5X16		1				
036	281003-5	HOLDER		1				
037	941101-4	FLAT WASHER 5		1				
039	251867-1	SCREW M5X30		1				
040	911106-8	PAN HEAD SCREW M4X8		2				
041	342201-7	CHANNEL COVER		1				

Item	Parts No.	Description	I/C	QTY	N/O	Opt. 1	Opt. 2	NOTE
042	251372-8	+ COUNTERSUNK HEAD SCREW M5X		1				
043	232017-7	LEAF SPRING		1				
044	911221-8	PAN HEAD SCREW M5X16		2				
045	155130-3	BED COMPLETE		1				
C10	812074-7	INDICATION LABEL		1				
046	312362-7	WISE SHOE		1				
047	911211-1	PAN HEAD SCREW M5X12		1				
048	413002-1	CHIP DEFLECTOR		1				
049	911224-2	PAN HEAD SCREW M5X16		2				
050	152108-7	VICE SCREW		1				
051	253313-0	THIN WASHER 14		4				
052	253192-6	FLAT WASHER 14		1				
053	221132-2	HELICAL GEAR 13		2				
054	253192-6	FLAT WASHER 14		1				
055	951116-3	SPRING PIN 4-20		2				
056	254001-2	WOODRUFF KEY 4		1				
057	325128-6	FEED SCREW		1				
058	311112-7	BOSS		1				
059	154230-6	SLIDE BASE		1				
C10	812082-8	SCALE PLATE		1				
060	263009-5	NYLON PIN 8		1				
061	251834-6	SCREW M10X25		1				
062	961054-1	RETAINING RING S-14		1				
063	253313-0	THIN WASHER 14		3				
064	154229-1	BASE COMPLETE		1				
C10	812080-2	INDICATION LABEL		1				
065	253313-0	THIN WASHER 14		3				
066	254202-2	KEY 4		1				
067	154249-5	LATITUDINAL FEED SHAFT		1				
068	333049-8	SLIDE PIPE		2				
069	154248-7	LONGITUDINAL FEED SHAFT		1				
070	253313-0	THIN WASHER 14		3				
071	253313-0	THIN WASHER 14		3				
072	961054-1	RETAINING RING S-14		1				
073	286203-2	CAP 20		4				
074	951107-4	SPRING PIN 4-14		2				
075	921431-9	HEX. BOLT M8X20		1				
076	155131-1	MAIN POLE		1				
C10	812035-7	SCALE LABEL		1				
077	331004-4	KEY 10-230		1				
078	911116-5	PAN HEAD SCREW M4X12		4				
079	253715-0	FLAT WASHER 6		1				
080	942151-2	SPRING WASHER 6		1				
A01	D-16972	DRILL POINT SASH ROUTER BIT		1				
A02	781003-0	WRENCH 10		1				
A03	781008-0	WRENCH 17		1				
A04	181116-1	OIL SUPPLY 30CC		1				
A05	312397-8	ANGLE GAUGE		1				

