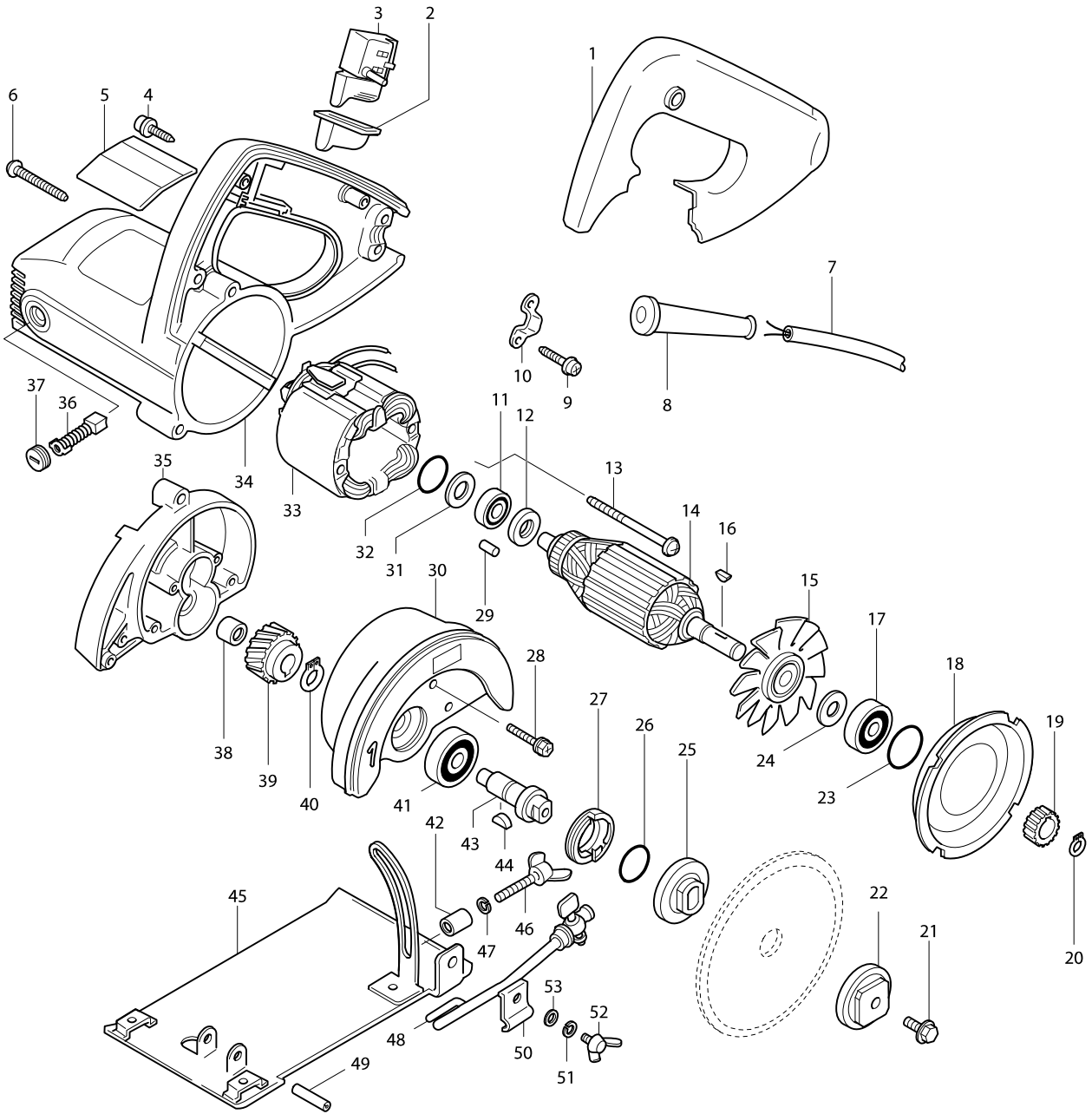


Model No. 4100NH CUTTER 110MM



Model No. 4100NH CUTTER 110MM

Item	Parts No.	Description	I/C	QTY	N/O	Opt. 1	Opt. 2	NOTE
001	415600-7	HANDLE COVER		1				
002	421329-5	DUST COVER		1				
003	651204-3	SWITCH SGEL115CDY		1				
004	266045-0	TAPPING SCREW 4X20		4				
005	859871-0	NAME PLATE 4100NH		1				
006	911263-2	PAN HEAD SCREW M5X40		3				
007K_	691015-4	POWER SUPPLY CORD 0.75-2-2.5		1				
008A_	682504-0	CORD GUARD 10-85		1				
009	265995-6	TAPPING SCREW 4X18		2				
010B_	687053-2	STRAIN RELIEF		1	*			
010B1	687140-7	STRAIN RELIEF	O	1				
011	211033-2	BALL BEARING 608LB		1				
012	681625-5	INSULATION WASHER		1				
013	266029-8	TAPPING SCREW 5X65		2	*			
013-1	266352-1	TAPPING SCREW 5X65	O	2				
014	516218-8	ARMATURE ASS'Y 220V		1				
D10		INC. 11,12,15,17,24						
015-1	240007-6	FAN 68		1				
016	254002-0	WOODRUFF KEY 3		1				
017-1	210053-3	BALL BEARING 629LLB		1	*			
017-2	210042-8	BALL BEARING 629LLB	O	1				
018	343289-0	BAFFLE PLATE		1				
019	226440-6	HELICAL GEAR 19		1	*			
019-1	226683-0	HELICAL GEAR 17	S	1				
020	961004-6	RETAINING RING S-8		1				
021	265226-3	HEX. FLANGE HEAD BOLT M6X17		1				
022	224081-2	OUTER FLANGE 36		1				
023	213407-3	O RING 26		1				
024	253741-9	FLAT WASHER 9		1				
025	224080-4	INNER FLANGE 36		1				
026	213255-0	O RING 18		1				
027	285815-8	BEARING RETAINER 19-33		1				
028	925146-0	+ HEX. BOLT M4X25		4				
029	263002-9	RUBBER PIN 4		1				
030-1	150647-1	BLADE CASE COMPLETE	S	1				
C10	817667-5	CAUTION LABEL		1				
031	253192-6	FLAT WASHER 14		1				
032	213262-3	O RING 18		1				
033-1	594343-5	FIELD ASS'Y 220V	O	1				
C10	654020-2	RING TERMINAL		2				
C20	654501-6	CONNECTOR P-1.25		2				
034	159767-8	MOTOR HOUSING		1				
C10	817846-5	CAUTION LABEL		1	*			
C20	643708-9	BRUSH HOLDER 5-11		2				
D10		INC. 29						
035	159771-7	GEAR HOUSING		1	*			
D10		INC. 23			*			
035-1	159911-7	GEAR HOUSING COMPLETE	S	1				

