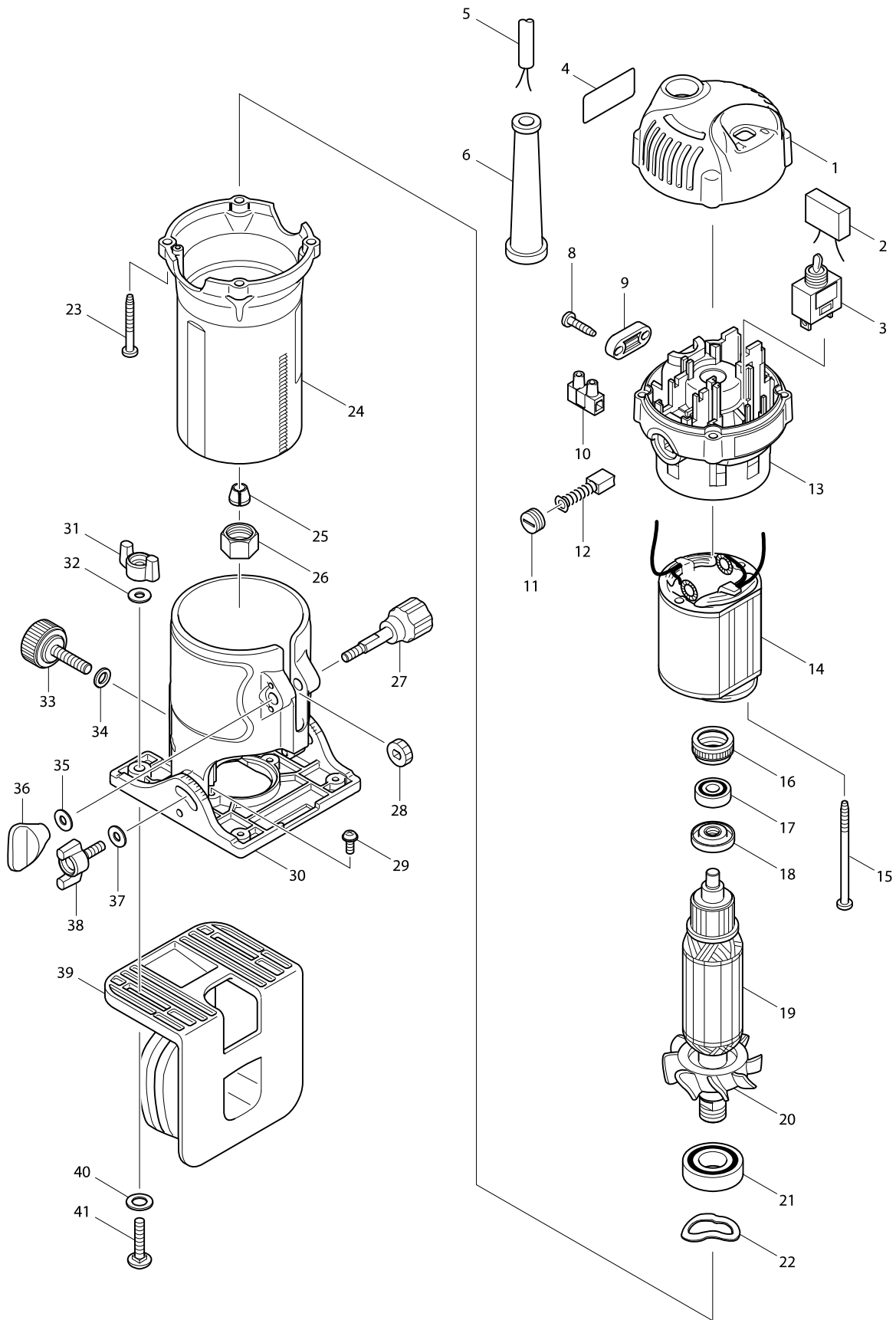


Model No. 3710 TRIMMER



Model No. 3710 TRIMMER

Item	Parts No.	Description	I/C	QTY	N/O	Opt. 1	Opt. 2	NOTE
001	419137-6	TOP COVER		1				
003	651425-7	SWITCH STL115ADT		1				
004	861701-3	3710 NAME PLATE		1				
005	691015-4	POWER SUPPLY CORD 0.75-2-2.5		1				
006	682504-0	CORD GUARD 10-85		1				
008	266326-2	TAPPING SCREW 4X18		2				
009	687140-7	STRAIN RELIEF		1				
011	643550-8	BRUSH HOLDER CAP 5-8		2				
012-1	195010-1	CARBON BRUSH CB-411		1				
013	154669-3	BRACKET COMPLETE		1				
C10	643455-2	BRUSH HOLDER 6X9		2				
014	590018-4	FIELD ASS'Y 220V		1				
C10	654100-4	RING TERMINAL		2				
C20	654501-6	CONNECTOR P-1.25		2				
015	266340-8	TAPPING SCREW 4X65		2				
016	421494-0	RUBBER RING 19		1				
017	210034-7	BALL BEARING 607LLB		1				
018	681668-7	INSULATION WASHER		1	*			
018-1	681668-7	INSULATION WASHER	O	1				
019	515633-3	ARMATURE ASS'Y 220V		1	*			
D10		INC. 17,18,20,21			*			
019-1	510275-8	ARMATURE ASS'Y 220V	O	1				
D10		INC. 17,18,20,21						
020	241667-7	FAN 52		1				
021-1	211223-7	BALL BEARING 6002DDW		1	*			
021-2	211489-9	BALL BEARING 6002LLUX	O	1				
022	267785-3	WAVE WASHER 23		1				
023	266351-3	TAPPING SCREW 4X35		4				
024	154668-5	MOTOR HOUSING COMPLETE		1				
C10	816817-9	SCALE LABEL		1				
025	763663-0	COLLET CONE 6.35		1				
026	763661-4	COLLET NUT 6		1				
027	265771-8	THUMB SCREW M5X33		1				
028	226217-9	SPUR GEAR 16		1				
029	911114-9	PAN HEAD SCREW M4X10		2				
030	154670-8	BASE COMPLETE		1				
C10	256093-7	PIN 4		2				
C20	419140-7	BASE HOLDER		1				
031	252653-3	THUMB NUT M5		2				
032	941101-4	FLAT WASHER 5		2				
033-1	251814-2	SCREW M6X18		1				
034	941151-9	FLAT WASHER 6		1				
035	941101-4	FLAT WASHER 5		1				
036	252652-5	THUMB NUT M5		1				
037	941101-4	FLAT WASHER 5		2				
038	265761-1	THUMB SCREW M5X16		2				
039	414304-8	TRIMMER SHOE		1				
040	267240-5	FLAT WASHER 8		2				

