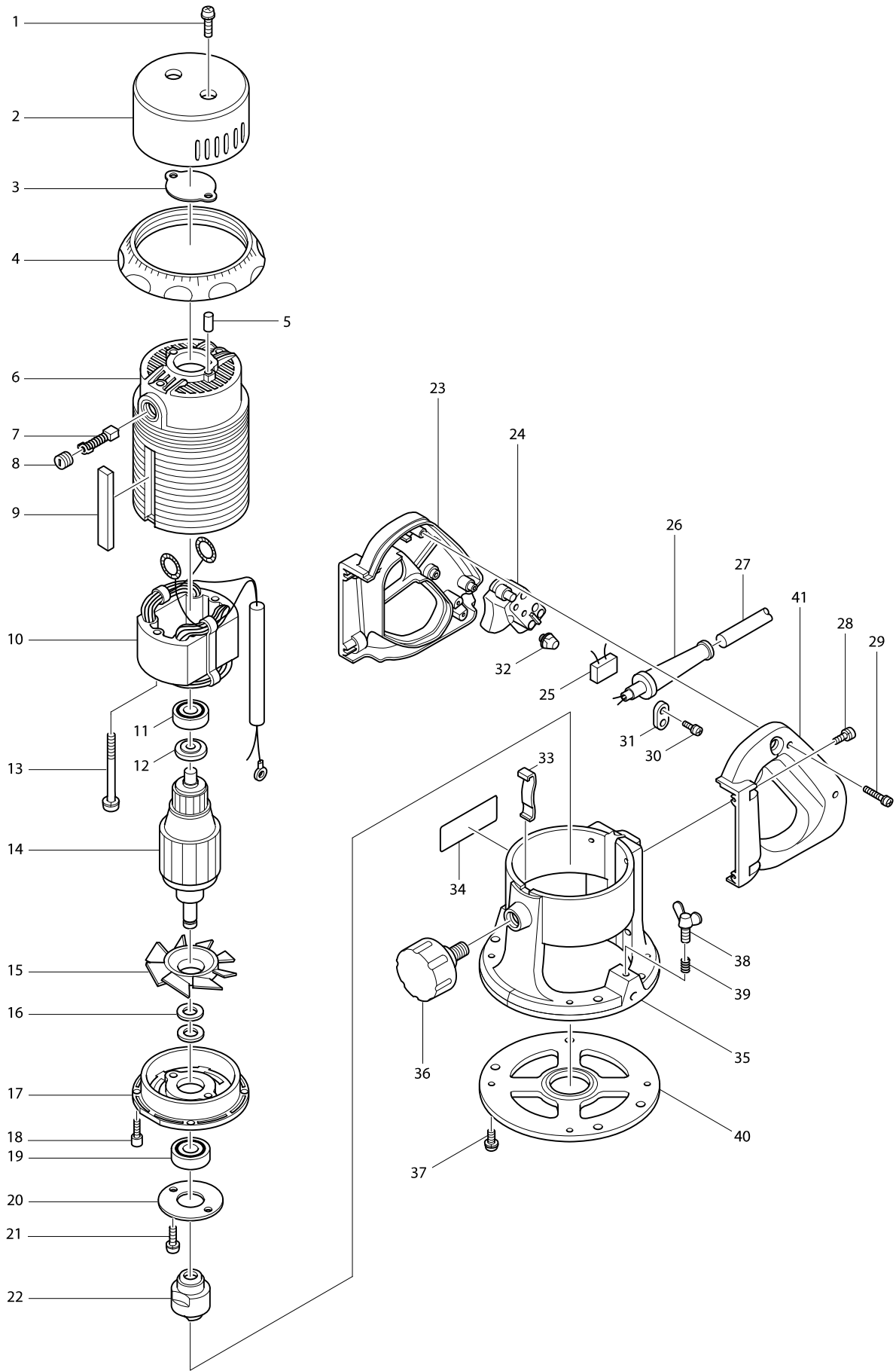


# Model No. 3601B ROUTER 12MM



# Model No. 3601B ROUTER 12MM

Item	Parts No.	Description	I/C	QTY	N/O	Opt. 1	Opt. 2	NOTE
001	911216-1	PAN HEAD SCREW M5X14		2				
002	284042-4	REAR COVER		1				
003	285016-8	BEARING COVER 45		1				
004	411372-2	SCALE RING		1				
005	263002-9	RUBBER PIN 4		1				
006-1	159246-6	MOTOR HOUSING COMPLETE		1				
C10	643653-8	BRUSH HOLDER 6.5-13.5		2				
C20	913206-0	SET SCREW M5X8		2				
D10		INC. 5						
007-1	181044-0	CARBON BRUSH CB-153		1	*			
007-2	194985-1	CARBON BRUSH CB-153	<	1				
008	643650-4	BRUSH HOLDER CAP 6.5-13.5		2				
009-1	341381-6	STAY		1				
010C_	523035-9	FIELD ASS'Y 220V		1				
C10	654020-2	RING TERMINAL		2				
C20	654502-4	CONNECTOR P-2		2				
011-1	211068-3	BALL BEARING 6200LB		1				
012-2	681624-7	INSULATION WASHER		1	*			
012-3	681635-2	INSULATION WASHER	O	1				
013-1	911280-2	PAN HEAD SCREW M5X55		2				
014C1	513304-6	ARMATURE ASS'Y 220V		1				
D11		INC. 11,12,15						
015	241621-1	FAN 76		1				
016	253748-5	FLAT WASHER 12		2				
017-1	316296-6	MOTOR BRACKET		1				
018	911241-2	PAN HEAD SCREW M5X25		4				
019-1	211129-9	BALL BEARING 6201DDW		1				
020	285612-2	BEARING RETAINER 40		1				
021	911216-1	PAN HEAD SCREW M5X14		2				
022A_	763602-0	COLLET CHUCK 1/2"		1				
023	181148-8	HANDLE SET		1				
D10		INC. 41						
024-1	651018-0	SWITCH HPAHR2-3S	O	1				
026	682505-8	CORD GUARD 10-90		1				
027T1	691227-9	POWER SUPPLY CORD 1.25-2-5.0		1				
028	911233-1	PAN HEAD SCREW M5X20		4				
029	911153-9	PAN HEAD SCREW M4X28		2				
030-1	911133-5	PAN HEAD SCREW M4X18		2				
031	687000-3	STRAIN RELIEF		1				
032	911103-4	PAN HEAD SCREW M4X6		1				
033	342290-2	LOCK PLATE		1				
034	815035-6	NAME PLATE 3601B		1				
035-2	316297-4	ROUTER BASE		1				
036	271213-2	KNOB 52		1				
037	911207-2	PAN HEAD SCREW M5X10		4				
038	924326-5	WING BOLT M6X20		1				
039	231005-1	COMPRESSION SPRING 7		1				
040	411023-7	BASE PLATE		1				

