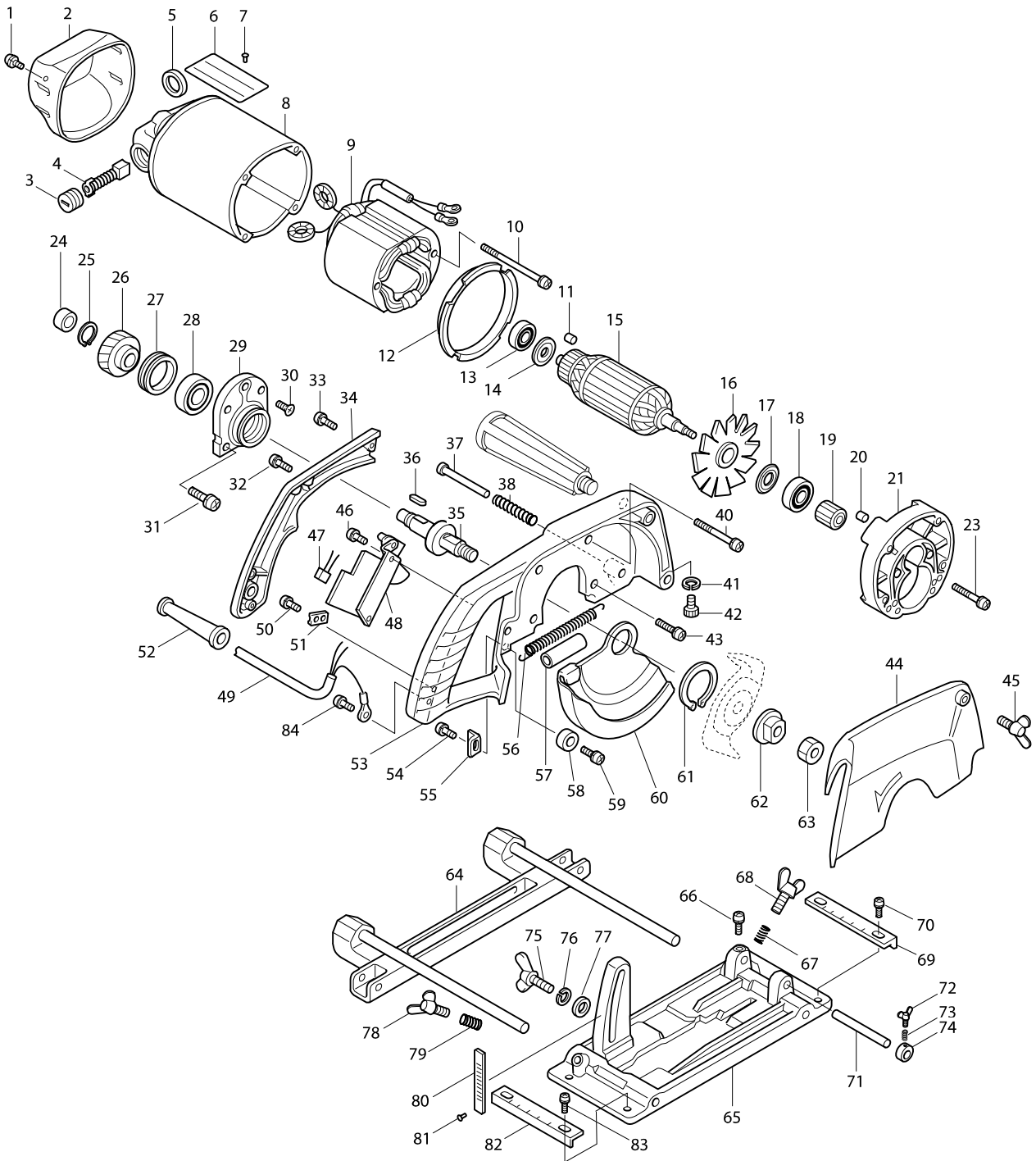


Model No. 3501N GROOVE CUTTER



Model No. 3501N GROOVE CUTTER

Item	Parts No.	Description	I/C	QTY	N/O	Opt. 1	Opt. 2	NOTE
001	911211-1	PAN HEAD SCREW M5X12		2				
002	284034-3	REAR COVER		1	*			
002-1	284072-5	REAR COVER	<	1				
003	643650-4	BRUSH HOLDER CAP 6.5-13.5		2				
004	181044-0	CARBON BRUSH CB-153		1	*			
004-1	194985-1	CARBON BRUSH CB-153	<	1				
005	681002-1	INSULATION WASHER		2				
006	858576-9	NAME PLATE 3501N		1				
008	156150-0	MOTOR HOUSING		1	*			
C10	643653-8	BRUSH HOLDER 6.5-13.5		2	*			
C20	913206-0	SET SCREW M5X8		2	*			
D10		INC. 11			*			
008-1	143400-2	MOTOR HOUSING COMPLETE	<	1				
C10	643653-8	BRUSH HOLDER 6.5-13.5		2				
C20	913206-0	SET SCREW M5X8		2				
D10		INC. 11						
009	524055-6	FIELD ASS'Y 220V		1				
C10	654020-2	RING TERMINAL		2				
C20	654502-4	CONNECTOR P-2		2				
010	911938-3	PAN HEAD SCREW M5X85		2				
011	263002-9	RUBBER PIN 4		1				
012	343006-8	BAFFLE PLATE		1				
013	211066-7	BALL BEARING 6200LLB		1				
014	213051-6	DUST SEAL 10		1				
015	514485-9	ARMATURE ASS'Y 220V		1				
D10		INC. 13,14,16-18						
016	241513-4	FAN 92		1				
017	213202-1	DUST SEAL 15		1				
018	211206-7	BALL BEARING 6202LLB		1				
019	221608-9	HELICAL GEAR 16		1				
020	263005-3	RUBBER PIN 6		1				
021	157027-2	GEAR HOUSING		1	*			
D10		INC. 20			*			
021-1	143401-0	GEAR HOUSING COMPLETE	<	1				
D10		INC. 20						
023	265013-0	+ PAN HEAD SCREW M5X45	S	2				
024	212101-4	NEEDLE BEARING 1210		1				
025	961057-5	RETAINING RING S-17		1				
026	221609-7	HELICAL GEAR 43		1				
027	285810-8	BEARING RETAINER 29-42		1				
028	211256-2	BALL BEARING 6203LLB		1				
029	312924-1	BEARING BOX		1				
031	911236-5	PAN HEAD SCREW M5X22		4				
032	911151-3	PAN HEAD SCREW M4X28		3				
033	911111-5	PAN HEAD SCREW M4X10		1				
034	317392-3	HANDLE COVER		1	*			
034-1	319067-0	HANDLE COVER	<	1				
035	325418-7	SPINDLE		1				

Model No. 3501N GROOVE CUTTER

Item	Parts No.	Description	I/C	QTY	N/O	Opt. 1	Opt. 2	NOTE
036	254206-4	KEY 4		1				
037	325513-3	STOPPER		1				
038	231238-8	COMPRESSION SPRING 8		1				
040	265012-2	+ PAN HEAD SCREW M5X55		2				
041	942101-7	SPRING WASHER 5		1				
042	922202-7	HEX. SOCKET HEAD BOLT M5X8		1				
043	911236-5	PAN HEAD SCREW M5X22		2				
044	312902-1	CUTTER COVER		1	*			
044-1	319065-4	CUTTER COVER	<	1				
045	924336-2	WING BOLT M6X25		1				
046	911106-8	PAN HEAD SCREW M4X8		2				
048	651016-4	SWITCH HPAHR2-2		1				
049	691346-1	POWER SUPPLY CORD 1.25-3-5.0		1				
050	911133-5	PAN HEAD SCREW M4X18		2				
051	687054-0	STRAIN RELIEF		1				
052	682506-6	CORD GUARD 12-90		1				
053	317391-5	CUTTER CASE		1	*			
053-1	319063-8	CUTTER CASE	<	1				
054	911109-2	PAN HEAD SCREW M4X8		1				
055	816005-8	ARROW PLATE		1				
056	231735-4	TENSION SPRING 4		1				
057	412032-9	VINYL TUBE 6.3X7.9X60		1				
058	262024-6	URETHANE RING 8		1				
059	251267-5	+ PAN HEAD SCREW M6		1				
060	164444-9	SAFETY COVER		1				
061	961202-2	RETAINING RING S-45		1				
062	224002-4	FLANGE 35		1				
063	931602-0	HEX. NUT M12		1				
064	164443-1	GUIDE RULE		1				
065	154274-6	BASE COMPLETE		1	*			
D10		INC. 80			*			
065-1	143399-1	BASE COMPLETE	<	1				
D10		INC. 80						
066	911202-2	PAN HEAD SCREW M5X8		1				
067	231005-1	COMPRESSION SPRING 7		1				
068	924336-2	WING BOLT M6X25		1				
069	812051-9	SCALE PLATE		1				
070	911109-2	PAN HEAD SCREW M4X8		2				
071	256064-4	PIN 10		1				
075	251854-0	WING BOLT M8X25		1				
076	942201-3	SPRING WASHER 8		1				
077	253022-1	FLAT WASHER 8		1				
078	924326-5	WING BOLT M6X20		1				
079	231005-1	COMPRESSION SPRING 7		1				
080	812006-4	SCALE PLATE		1				
082	812008-0	SCALE PLATE		1				
083	911109-2	PAN HEAD SCREW M4X8		2				
084	652014-1	PAN HEAD SCREW M4X8		1				

Model No. 3501N GROOVE CUTTER

Item	Parts No.	Description	I/C	QTY	N/O	Opt. 1	Opt. 2	NOTE
400	224106-2	INNER FLANGE 56		1				
401	224051-1	FLANGE 35		1				
402	224003-2	OUTER FLANGE 56		1				
403	792033-6	COMBINATION SAW BLADE 190		1	*			
403-1	A-87507	T.C.T.SAW BLADE 190X24TX20	O	1				
404	793042-8	CUTTER BLADE 120-21.0		1				
405	161025-0	GUIDE RULE F/SAW		1				
406	273404-1	GRIP 37		1				
407	133473-3	SHIPLAPPING SCALE ASS'Y		1				
D10		INC. 408						
408	911306-0	PAN HEAD SCREW M6X10		2				
409	824002-0	PLASTIC CASE		1				
410	783002-8	(+) SCREWDRIVER 2		1				
411	781029-2	WRENCH 21		1				
412	781206-6	WRENCH 19		1				
413	794063-3	DRESSING STONE 100-1200		1				
414	821082-7	WOODEN CARRYING CASE		1				