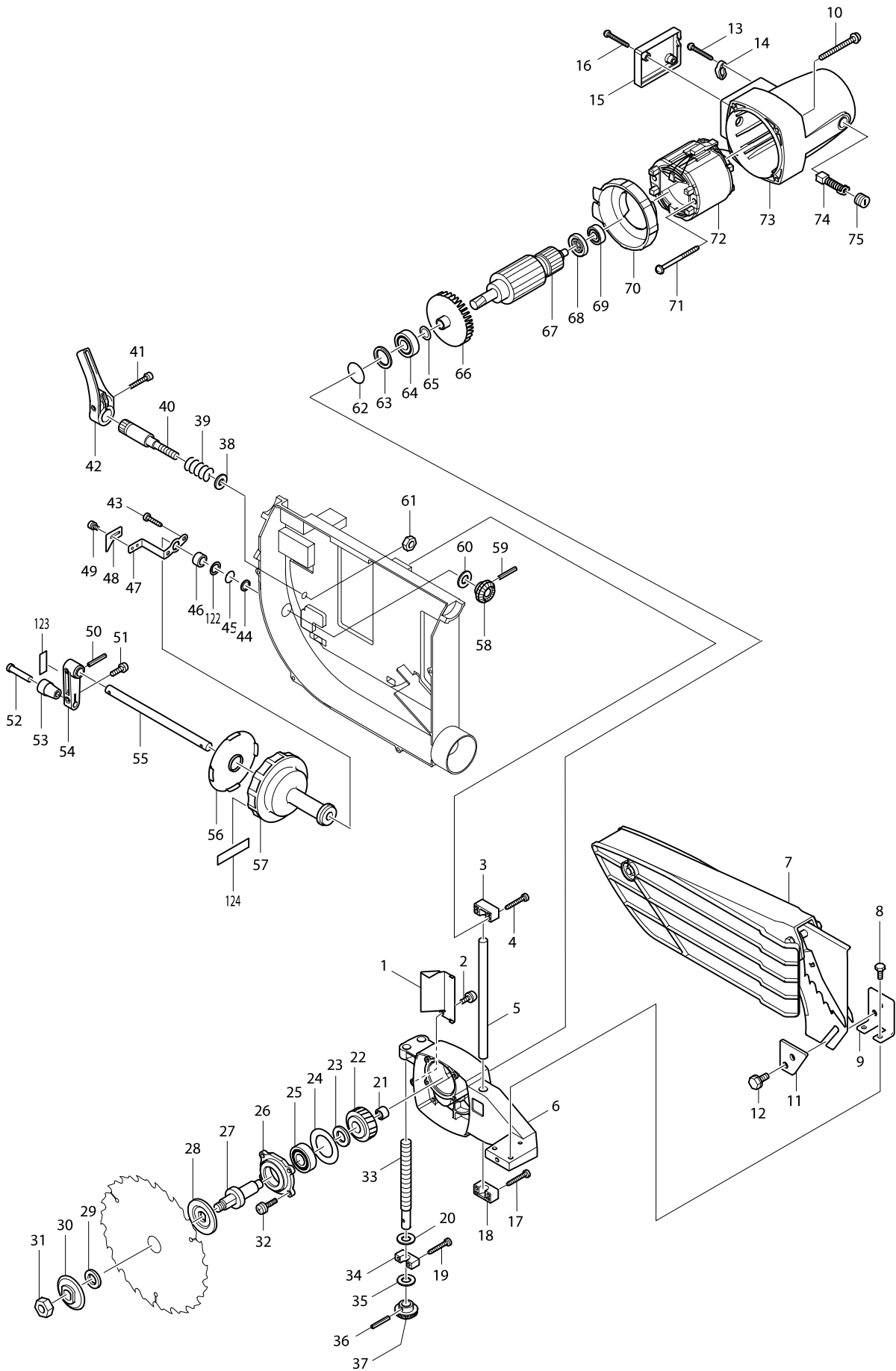
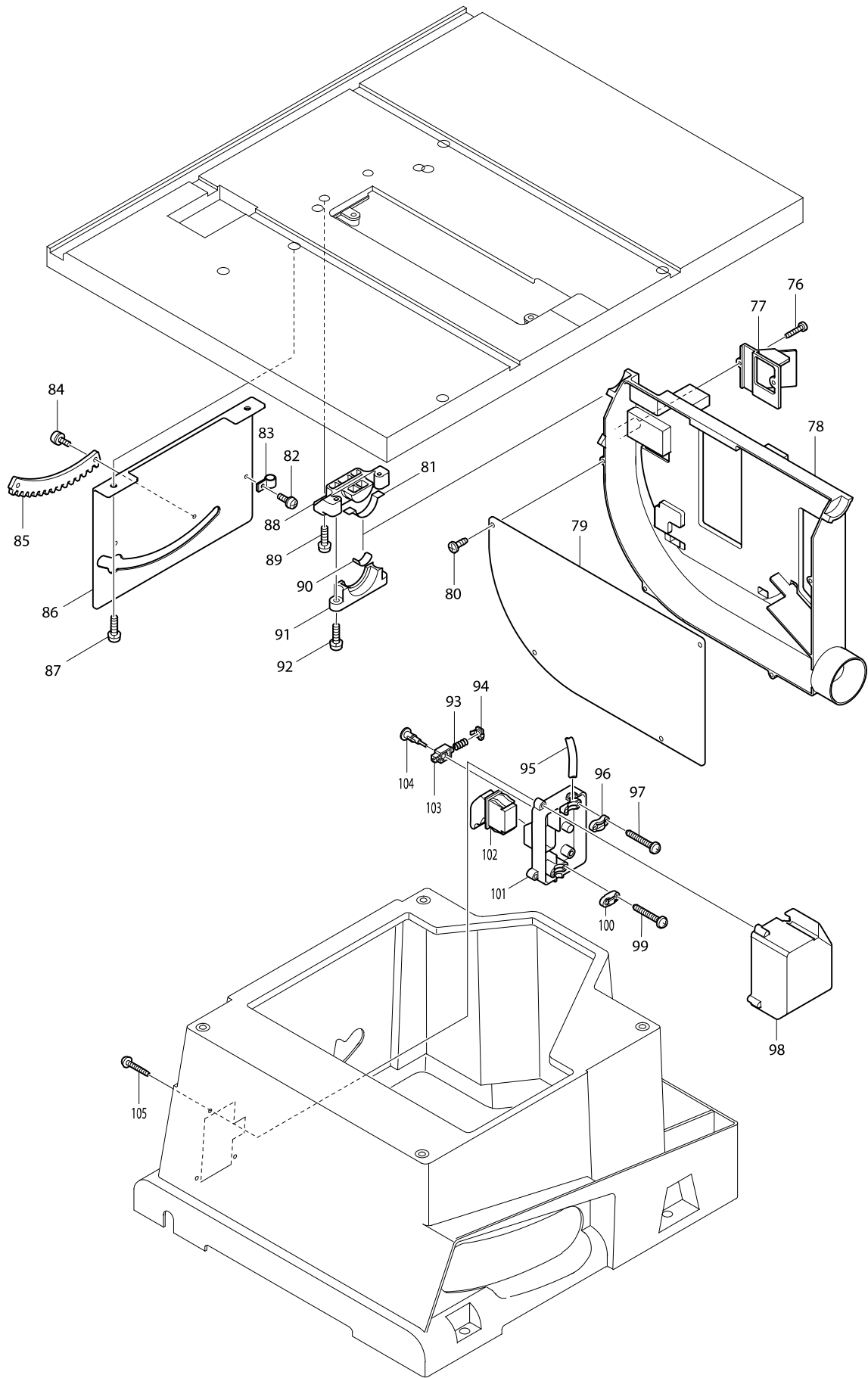


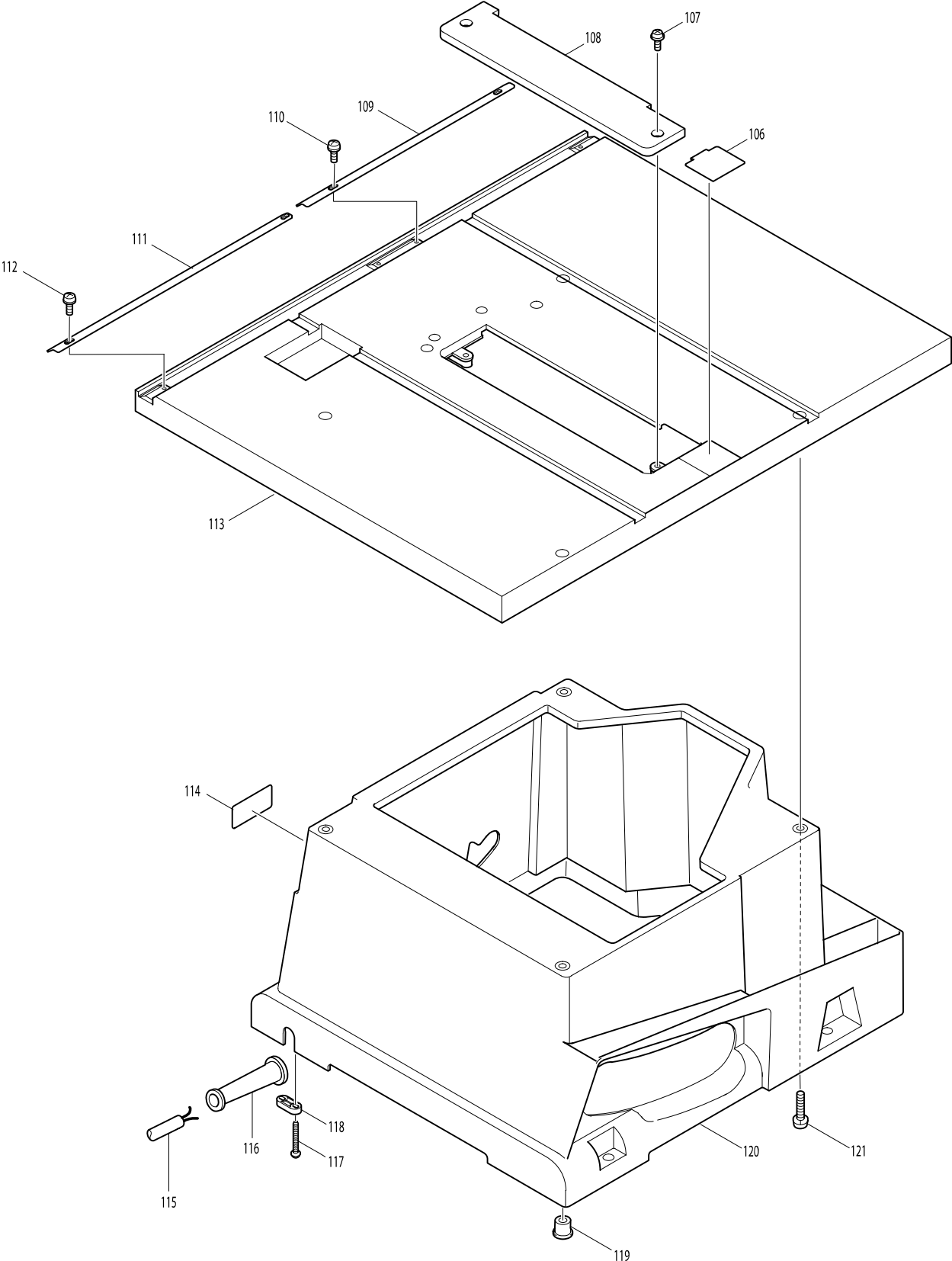
Model No. 2703 TABLE SAW 255MM



Model No. 2703 TABLE SAW 255MM



Model No. 2703 TABLE SAW 255MM



Model No. 2703 TABLE SAW 255MM

Item	Parts No.	Description	I/C	QTY	N/O	Opt. 1	Opt. 2	NOTE
001	344536-2	GEAR HOUSING PLATE		1				
002	911208-0	PAN HEAD SCREW M5X10		1	*			
002-1	911213-7	PAN HEAD SCREW M5X12	O	1				
003	416340-0	GUIDE BAR RETAINER		2				
004	266040-0	TAPPING SCREW CT 4X25		4				
005	323736-7	GUIDE BAR		2				
006	159999-7	GEAR HOUSING COMPLETE		1				
C10	263005-3	RUBBER PIN 6		1				
C20	951157-9	SPRING PIN 5-16		1				
D10		INC. 21						
007A_	168312-8	SAFETY GUIDE		1	*			
007A1	168309-7	SAFETY GUIDE	O	1				
C10	231541-7	TORSION SPRING 17		1				
C20	231542-5	TORSION SPRING 17		1				
C30	265462-1	HEX. BOLT M6X50		1				
C40	931302-2	HEX. NUT M6		1				
C50	941151-9	FLAT WASHER 6		2				
C60	942151-2	SPRING WASHER 6		1				
C70	890408-4	CAUTION LABEL		1				
008	265391-8	+HEX. BOLT M6X16		2				
009	165206-8	STAY		1				
010	911383-2	PAN HEAD SCREW M6X60		4				
011	344545-1	PRESSURE PLATE		1				
012	921431-9	HEX. BOLT M8X20		2				
013	265995-6	TAPPING SCREW 4X18		2				
014	687054-0	STRAIN RELIEF		1				
015	416341-8	COVER		1				
016	265995-6	TAPPING SCREW 4X18		2				
017	266040-0	TAPPING SCREW CT 4X25		4				
018	416340-0	GUIDE BAR RETAINER		2				
019	266040-0	TAPPING SCREW CT 4X25		2				
020	961016-9	STOP RING E-10		1				
021	212121-8	NEEDLE BEARING 1210		1				
022	226499-3	HELICAL GEAR 42		1				
023	267176-8	FLAT WASHER 17		1				
024	267170-0	FLAT WASHER 34		1				
025	211256-2	BALL BEARING 6203LLB		1				
026	316933-2	BEARING BOX		1				
027	153264-6	SPINDLE COMPLETE		1				
C10	323738-3	SPINDLE		1				
D10		INC. 22-25						
028	224333-1	FLANGE 53		1				
030	224347-0	OUTER FLANGE 53		1	*			
030-1	224482-4	OUTER FLANGE 53	O	1				
031	252155-9	HEX. NUT M12-19		1				
032	911233-1	PAN HEAD SCREW M5X20		4				
033	322968-3	SCREW BAR		1				
034	416339-5	SCREW BAR RETAINER		1				

Item	Parts No.	Description	I/C	QTY	N/O	Opt. 1	Opt. 2	NOTE
035	941302-4	FLAT WASHER 12		1				
036	951116-3	SPRING PIN 4-20		1				
037	226747-0	STRAIGHT BEVEL GEAR		1				
038	253024-7	FLAT WASHER 10		1				
039	231315-6	COMPRESSION SPRING 14		1				
040	322967-5	LOCK LEVER SHAFT		1				
041	922243-3	HEX. SOCKET HEAD BOLT M5X25		1				
042	272237-1	LEVER 90		1				
043	266034-5	TAPPING SCREW CT 4X16		2				
044	253143-9	FLAT WASHER 12		1				
045	213107-5	O RING 12		1				
046	214114-1	PLANE BEARING 12		1				
047	344544-3	STAY		1				
048	344543-5	POINTER		1				
049	922103-9	HEX. SOCKET HEAD BOLT M4X6		1				
050	951116-3	SPRING PIN 4-20		1				
051	911218-7	PAN HEAD SCREW M5X14		1				
052	268031-7	PIN 8		1				
053	271408-7	KNOB 20		1				
054	271071-6	HANDLE 120		1				
055	323735-9	HANDLE SHAFT		1				
056	344581-7	CAP 92		1				
057	271070-8	HANDLE 100		1				
058	226747-0	STRAIGHT BEVEL GEAR		1				
059	951116-3	SPRING PIN 4-20		1				
060	941302-4	FLAT WASHER 12		1				
061	931502-4	HEX. NUT M10		1				
062	213423-5	O RING 30		1				
063	253792-2	FLAT WASHER 26		1				
064	211206-7	BALL BEARING 6202LLB		1				
065	253147-1	FLAT WASHER 15		1				
066	240003-4	FAN 80		1				
067B_	516763-3	ARMATURE ASS'Y 220V		1				
D10		INC. 64-66,68,69						
068	681640-9	INSULATION WASHER		1				
069	211061-7	BALL BEARING 6000LLB		1				
070	416331-1	BAFFLE PLATE		1				
071	266029-8	TAPPING SCREW 5X65		2				
072C_	596183-7	FIELD ASS'Y 220-240V		1				
C10	654020-2	RING TERMINAL		2				
C20	654553-7	CONNECTOR 34137		2				
073	159998-9	MOTOR HOUSING COMPLETE		1				
C10	643660-1	BRUSH HOLDER 6.5-13.5		2	*			
C11	643653-8	BRUSH HOLDER 6.5-13.5	O	2				
074	181044-0	CARBON BRUSH CB-153		1	*			
074-1	194985-1	CARBON BRUSH CB-153	<	1				
075	643650-4	BRUSH HOLDER CAP 6.5-13.5		2				
076	266034-5	TAPPING SCREW CT 4X16		2				

Item	Parts No.	Description	I/C	QTY	N/O	Opt. 1	Opt. 2	NOTE
077	416439-1	DUST GUIDE		1				
078	316931-6	FRAME		1	*			
078-1	317382-6	FRAME	X	1	*			
078-2	317880-0	FRAME	O	1	*			
078-3	318253-0	FRAME	O	1				
079	344519-2	FRAME COVER		1				
080	266035-3	TAPPING SCREW BIND CT 5X12		4				
081	344529-9	SLIDE SEAT		2				
082	251308-7	+ PAN HEAD SCREW M4X10		1				
083	687049-3	STRAIN RELIEF		1				
084	911208-0	PAN HEAD SCREW M5X10		2	*			
084-1	911213-7	PAN HEAD SCREW M5X12	O	2				
085	416333-7	RACK PLATE		1				
086	344518-4	PLATE		1	*			
086-1	345628-0	PLATE	O	1				
087	911323-0	PAN HEAD SCREW M6X16		2				
088	317010-3	ADJUST BLOCK		1	*			
088-1	318020-3	ADJUST BLOCK	O	1				
089	265460-5	HEX. BOLT M6X20		2				
090	232174-1	LEAF SPRING		2				
091	416332-9	FRAME RETAINER		2				
092	911333-7	PAN HEAD SCREW M6X20		4				
093	231240-1	COMPRESSION SPRING 7		1				
094	416375-1	CAP		1				
095A_	664090-3	POWER SUPPLY CORD #18-5-0.86		1				
096	687054-0	STRAIN RELIEF		1				
097	265995-6	TAPPING SCREW 4X18		2				
098	416335-3	SWITCH BOX		1	*			
098-1	183121-4	SWITCH BOX SET	<	1				
D10		INC. 101						
099	265995-6	TAPPING SCREW 4X18		2				
100C1	687052-4	STRAIN RELIEF	X	1				
101	416334-5	SWITCH BASE		1	*			
101-1	183121-4	SWITCH BOX SET	<	1				
D10		INC. 98						
102A_	651568-5	SWITCH 8961K400		1				
103	416377-7	SLIDE PIN		1				
104	416376-9	SWITCH BUTTON		1				
105	265999-8	TAPPING SCREW 4X25		3				
106	344547-7	PLATE		1				
107	911323-0	PAN HEAD SCREW M6X16		2				
108	316935-8	CENTER COVER		1	*			
108-1	316935-8	CENTER COVER	O	1				
109A_	816341-2	SCALE PLATE L		1				
110	251308-7	+ PAN HEAD SCREW M4X10		2				
111A_	816340-4	SCALE PLATE R		1				
112	251308-7	+ PAN HEAD SCREW M4X10		2				
113	316930-8	TABLE		1	*			

