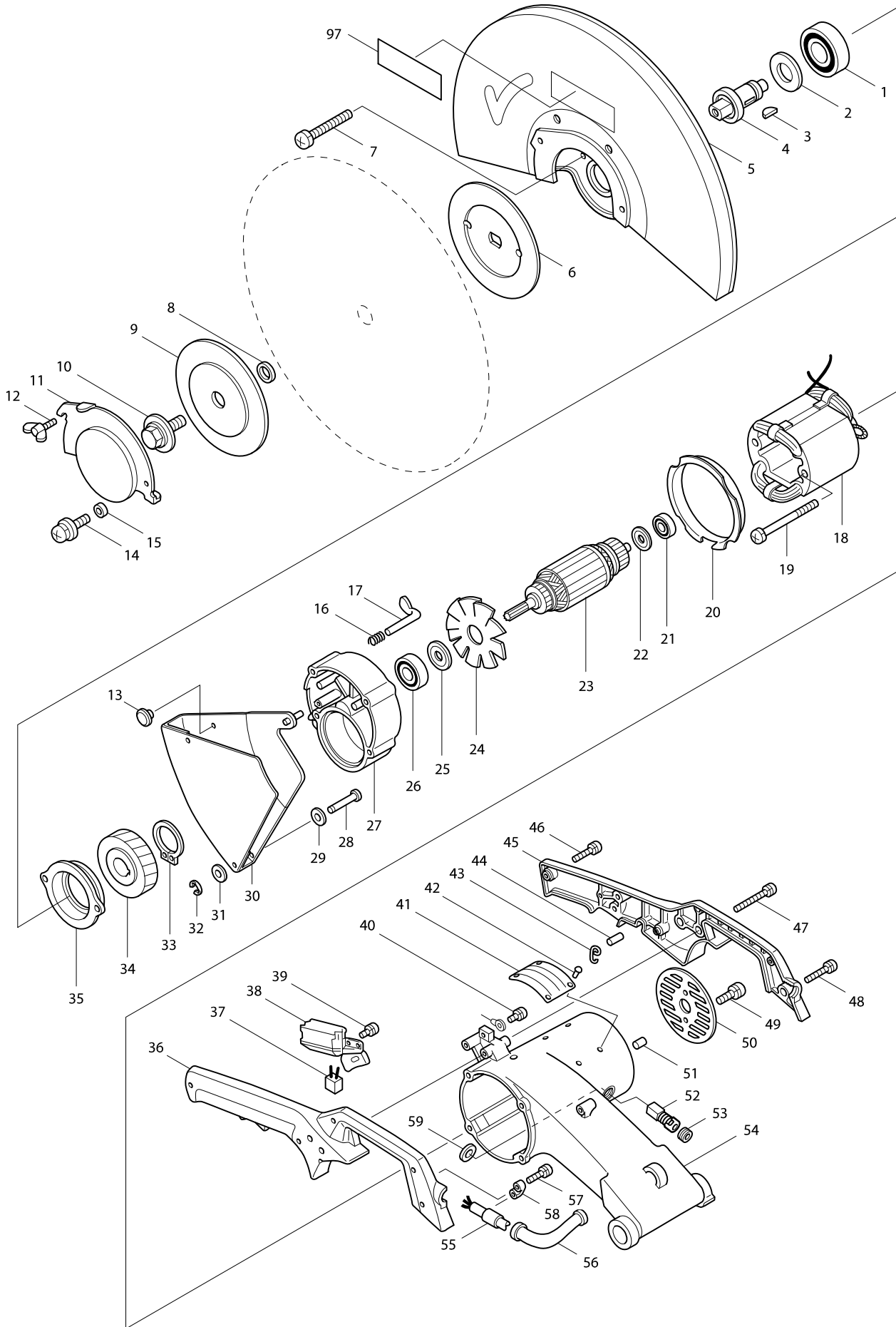
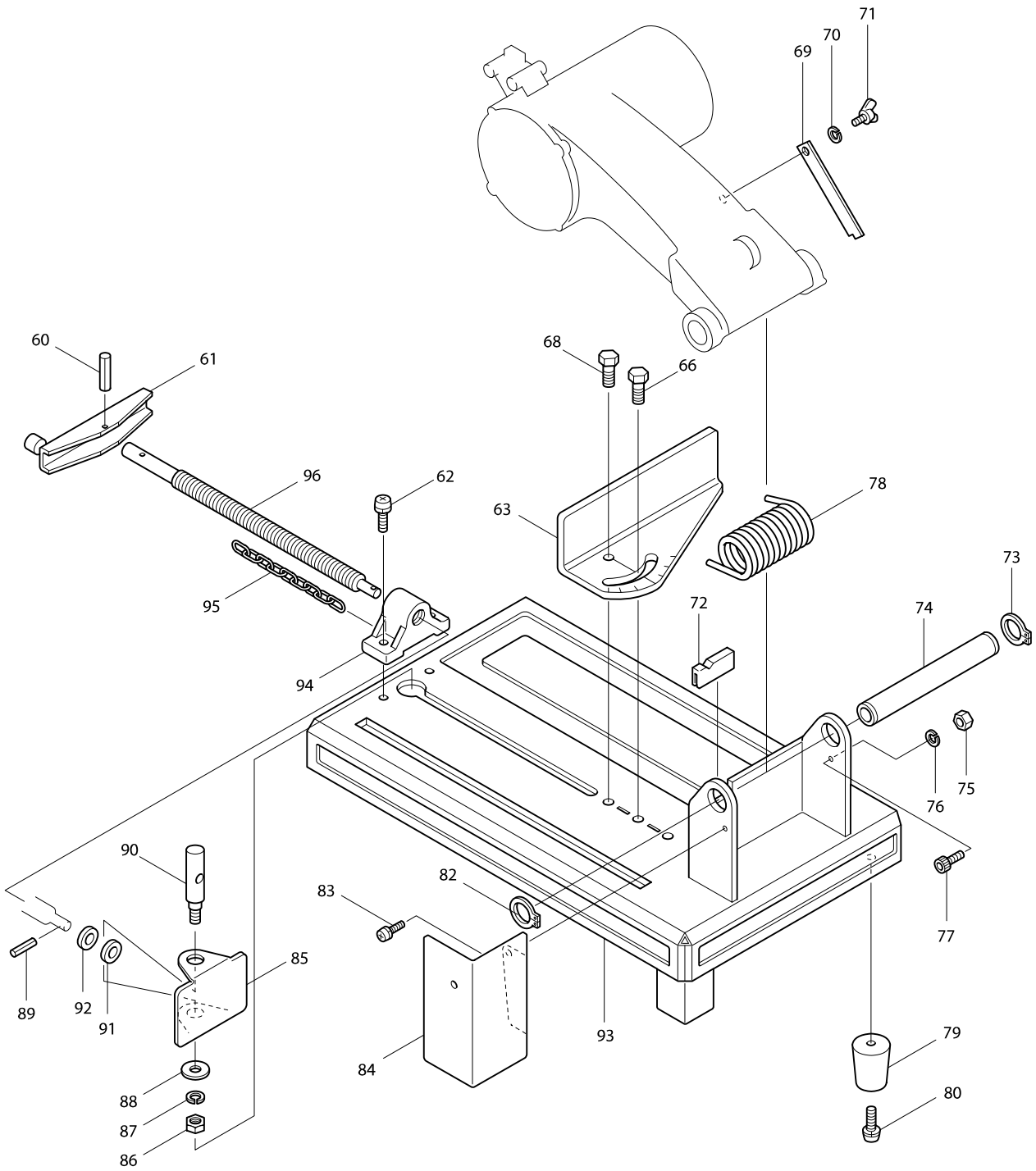


Model No. 2416S CUT-OFF 405MM



Model No. 2416S CUT-OFF 405MM



Model No. 2416S CUT-OFF 405MM

Item	Parts No.	Description	I/C	QTY	N/O	Opt. 1	Opt. 2	NOTE
001	211361-5	BALL BEARING 6305LLB		1				
002	253888-9	FLAT WASHER 25		1				
003	254032-1	WOODRUFF KEY 5		1				
004	321645-4	SPINDLE		1				
005	164700-7	SAFETY COVER		1				
006	224209-2	INNER FLANGE 140		1				
007	911381-6	PAN HEAD SCREW M6X60		4				
008	257104-1	RING 22		1				
009	224208-4	OUTER FLANGE 140		1				
010	251680-7	HEX. BOLT M10X25		1				
011	342666-3	CENTER CAP		1				
012	924306-1	WING BOLT M6X10		1				
013	421163-3	RUBBER PLUG		2	*			
013-1	416771-3	PLUG	O	2				
014	911309-4	PAN HEAD SCREW M6X10		1				
015	257105-9	RING 6		1				
016	231240-1	COMPRESSION SPRING 7		1				
017	321682-8	STOPPER		1				
018C_	524753-2	FIELD ASS'Y 220V		1				
C10	654020-2	RING TERMINAL		2				
C20	654502-4	CONNECTOR P-2		2				
019-1	911938-3	PAN HEAD SCREW M5X85		2				
020	343299-7	BAFFLE PLATE		1				
021	211066-7	BALL BEARING 6200LLB		1				
022	213051-6	DUST SEAL 10		1				
023C1	514883-7	ARMATURE ASS'Y 220V		1				
D10		INC. 21,22,24						
024-1	241515-0	FAN 92		1				
025	253887-1	FLAT WASHER 15		1				
026	211211-4	BALL BEARING 6302LLB		1				
027-1	157822-0	GEAR HOUSING		1	*			
C10	267039-8	FLAT WASHER 32		1	*			
C20	213513-4	O RING 39		1	*			
027-2	151829-8	GEAR HOUSING COMPLETE	X	1				
C10	212104-8	NEEDLE BEARING 1212		1				
C20	213513-4	O RING 39		1				
C30	213561-3	O RING 42		1				
C40	267039-8	FLAT WASHER 32		1				
028	256643-8	PIN 7		1				
029	253022-1	FLAT WASHER 8		1				
030	164699-6	SAFETY GUARD		1	*			
030-1	165276-7	SAFETY GUARD	S	1				
031	253022-1	FLAT WASHER 8		1				
032	961018-5	STOP RING E-5		1				
033	961105-0	RETAINING RING S-25		1				
034	221730-2	HELICAL GEAR 53		1				
035	315636-5	BEARING HOUSING		1				
036-1	181976-1	HANDLE SET		1				

Model No. 2416S CUT-OFF 405MM

Item	Parts No.	Description	I/C	QTY	N/O	Opt. 1	Opt. 2	NOTE
D10		INC. 45						
038-2	651128-3	SWITCH C3D-15AS		1				
039	911113-1	PAN HEAD SCREW M4X10		1				
040	652014-1	PAN HEAD SCREW M4X8		1				
041	855032-0	NAME PLATE 2416S		1	*			
041-1	851469-9	NAME PLATE 2416S	X	1				
042	953106-2	RIVET 0-5		4	*			
043	281207-9	HANGER		1	*			
043-1	281216-8	HANGER	O	1				
044	256012-3	PIN 6		1				
045-1	181976-1	HANDLE SET		1				
D10		INC. 36						
046	911148-2	PAN HEAD SCREW M4X25		4				
047	911273-9	PAN HEAD SCREW M5X50		2				
048	911253-5	PAN HEAD SCREW M5X30		1				
049	911211-1	PAN HEAD SCREW M5X12		2				
050	284010-7	REAR COVER		1				
051	263002-9	RUBBER PIN 4		1				
052-1	181044-0	CARBON BRUSH CB-153		1	*			
052-2	194985-1	CARBON BRUSH CB-153	<	1				
053	643650-4	BRUSH HOLDER CAP 6.5-13.5		2				
054-2	157753-3	MOTOR HOUSING COMPLETE	X	1				
C10	643653-8	BRUSH HOLDER 6.5-13.5		2				
C20	913206-0	SET SCREW M5X8		2				
D10		INC. 51						
055S1	691337-2	POWER SUPPLY CORD 1.25-3-2.5		1				
056	682507-4	CORD GUARD 12-200		1				
057A_	911133-5	PAN HEAD SCREW M4X18		2				
058D_	687034-6	STRAIN RELIEF		1				
059	681002-1	INSULATION WASHER		2				
060	951163-4	SPRING PIN 5-20		1				
061	272019-1	HANDLE 120		1				
062A_	911451-1	PAN HEAD SCREW M8X30		2				
063	331252-5	GUIDE		1				
066	265201-9	HEX. BOLT M10X25		1				
068	265201-9	HEX. BOLT M10X25		1				
069-1	343422-4	STOPPER PLATE		1				
070-1	942151-2	SPRING WASHER 6		1				
071-1	924316-8	WING BOLT M6X15		1				
072	342759-6	RETAINER		1				
073	961104-2	RETAINING RING S-24		1				
074	331251-7	PIPE 24		1				
075	931302-2	HEX. NUT M6		1				
076	942151-2	SPRING WASHER 6		1				
077	922317-0	HEX. SOCKET HEAD BOLT M6X14		1				
078	231569-5	TORSION SPRING 30		1				
079	421277-8	CUSHION		3				
080	911349-2	PAN HEAD SCREW M6X28		3				

