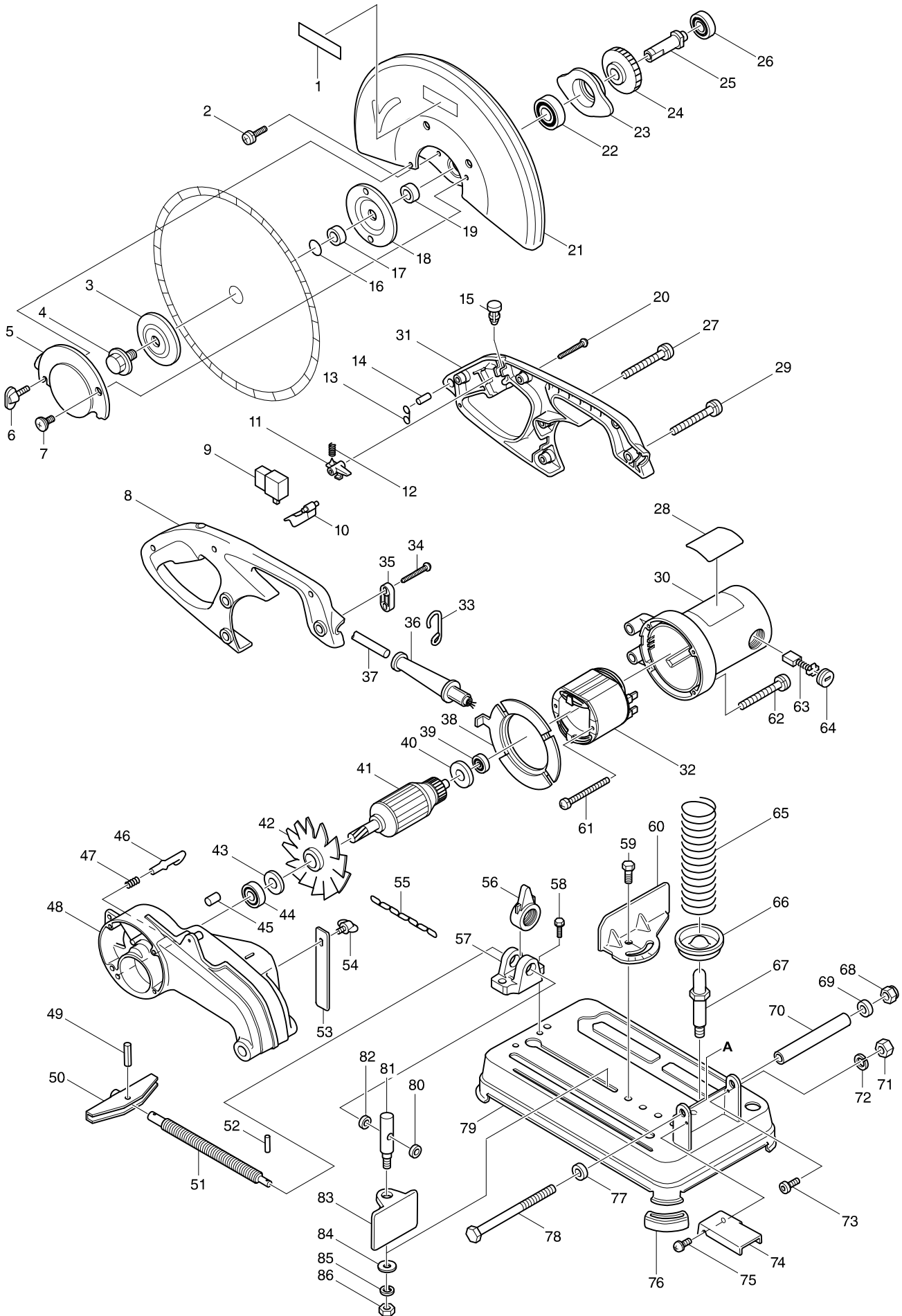


Model No. 2414NB PORTABLE CUT-OFF 355MM



Model No. 2414NB PORTABLE CUT-OFF 355MM

Item	Parts No.	Description	I/C	QTY	N/O	Opt. 1	Opt. 2	NOTE
001	819064-1	MAKITA MARK		1				
002	911333-7	PAN HEAD SCREW M6X20		4				
003	224300-6	OUTER FLANGE 90		1	*			
003-1	224299-5	FLANGE 90	<	1				
004	251680-7	HEX. BOLT M10X25		1				
005	344662-7	CENTER CAP		1				
006	251887-5	SCREW M6X10		1				
007	265020-3	+ FLAT HEAD SCREW M6		1	*			
007-1	265121-7	+ FLAT HEAD SCREW M6	<	1				
008	182628-7	HANDLE SET		1				
D10		INC. 31						
009	651922-3	SWITCH TG71B		1				
010	152448-3	SWITCH LEVER COMPLETE		1				
011	415366-9	SWITCH LOCK		1				
012	231397-8	COMPRESSION SPRING 4		1				
013	281207-9	HANGER		1	*			
013-1	281216-8	HANGER	O	1				
014	256012-3	PIN 6		1	*			
014-1	268101-2	PIN 6	O	1				
015	411478-6	SWITCH BUTTON		1	*			
015-1	417113-4	SWITCH BUTTON	<	1				
016	213162-7	O RING 14		1				
017	257185-5	RING 17		1				
018	224299-5	FLANGE 90		1				
019	257185-5	RING 17		1				
020	265995-6	TAPPING SCREW 4X18		4				
021	165233-5	SAFETY COVER		1				
022	211256-2	BALL BEARING 6203LLB		1	*			
022-1	211282-1	BALL BEARING 6203ZZ	O	1				
023	316527-3	BEARING BOX		1				
024	226415-5	HELICAL GEAR 41		1				
025	322633-4	SPINDLE		1				
026	211064-1	BALL BEARING 6000		1	*			
026-1	210067-2	BALL BEARING 6000ZZ	O	1				
027	911273-9	PAN HEAD SCREW M5X50		2				
028	859572-0	NAME PLATE 2414NB		1				
029	911258-5	PAN HEAD SCREW M5X35		1				
030	159750-5	MOTOR HOUSING COMPLETE		1				
C10	632486-6	SUPPORT UNIT		1				
C20	643705-5	BRUSH HOLDER		2	*			
C21	643707-1	BRUSH HOLDER	O	2				
031	182628-7	HANDLE SET		1				
D10		INC. 8						
032	636008-4	FIELD 220V		1				
033	322049-3	HOOK		1				
034	265995-6	TAPPING SCREW 4X18		2				
035A_	687054-0	STRAIN RELIEF		1	*			
035A1	687149-9	STRAIN RELIEF	O	1				

Model No. 2414NB PORTABLE CUT-OFF 355MM

Item	Parts No.	Description	I/C	QTY	N/O	Opt. 1	Opt. 2	NOTE
036A_	682505-8	CORD GUARD 10-90		1				
037F_	691216-4	POWER SUPPLY CORD 1.25-2-2.5		1				
038	415369-3	BAFFLE PLATE		1				
039	210053-3	BALL BEARING 629LLB		1	*			
039-1	211056-0	BALL BEARING 629LLB	O	1	*			
039-2	210042-8	BALL BEARING 629LLB	O	1				
040	681633-6	INSULATION WASHER		1	*			
040-1	681666-1	INSULATION WASHER	O	1				
041	516563-1	ARMATURE ASS'Y 220V		1	*			
D10		INC. 39,40,42-44			*			
041-1	510240-7	ARMATURE ASS'Y 220V	O	1				
D10		INC. 39,40,42-44						
042	241515-0	FAN 92		1				
043	267714-6	WASHER 15		1				
044	211206-7	BALL BEARING 6202LLB		1	*			
044-1	211228-7	BALL BEARING 6202DDW	X	1				
045	263005-3	RUBBER PIN 6		1				
046	322665-1	STOPPER		1				
047	231240-1	COMPRESSION SPRING 7		1				
048	150916-0	GEAR HOUSING COMPLETE		1				
D10		INC. 45						
049	951163-4	SPRING PIN 5-20		1				
050	272021-4	HANDLE 120		1				
051	322239-8	VICE SCREW		1				
052	951066-2	SPRING PIN 3-18		1				
053	344089-1	STOPPER PLATE		1				
054	251887-5	SCREW M6X10		1				
055	282010-1	CHAIN		1	*			
055-1	282016-9	CHAIN	<	1				
056	322209-7	VICE NUT		1				
057	311949-2	SCREW GUIDE		1				
058	911451-1	PAN HEAD SCREW M8X30		2				
059	265201-9	HEX. BOLT M10X25		2				
060	344087-5	GUIDE PLATE		1				
061	266059-9	TAPPING SCREW 5X75		2				
062	911273-9	PAN HEAD SCREW M5X50		4				
063	191953-5	CARBON BRUSH CB-203		1	*			
063-1	194991-6	CARBON BRUSH CB-203	<	1				
064	643700-5	BRUSH HOLDER CAP 7-18		2				
065	233085-3	COMPRESSION SPRING 45		1				
066	165066-8	SPRING HOLDER		1				
067	265407-9	HEX.BOLT M10		1	*			
067-1	265407-9	HEX.BOLT M10	O	1				
068	252130-5	HEX. LOCK NUT M10-17		1				
069	267713-8	CUP WASHER 10		1				
070	331428-4	PIN 16-113		1	*			
070-1	331428-4	PIN 16-113	O	1				
071	931302-2	HEX. NUT M6		1				

