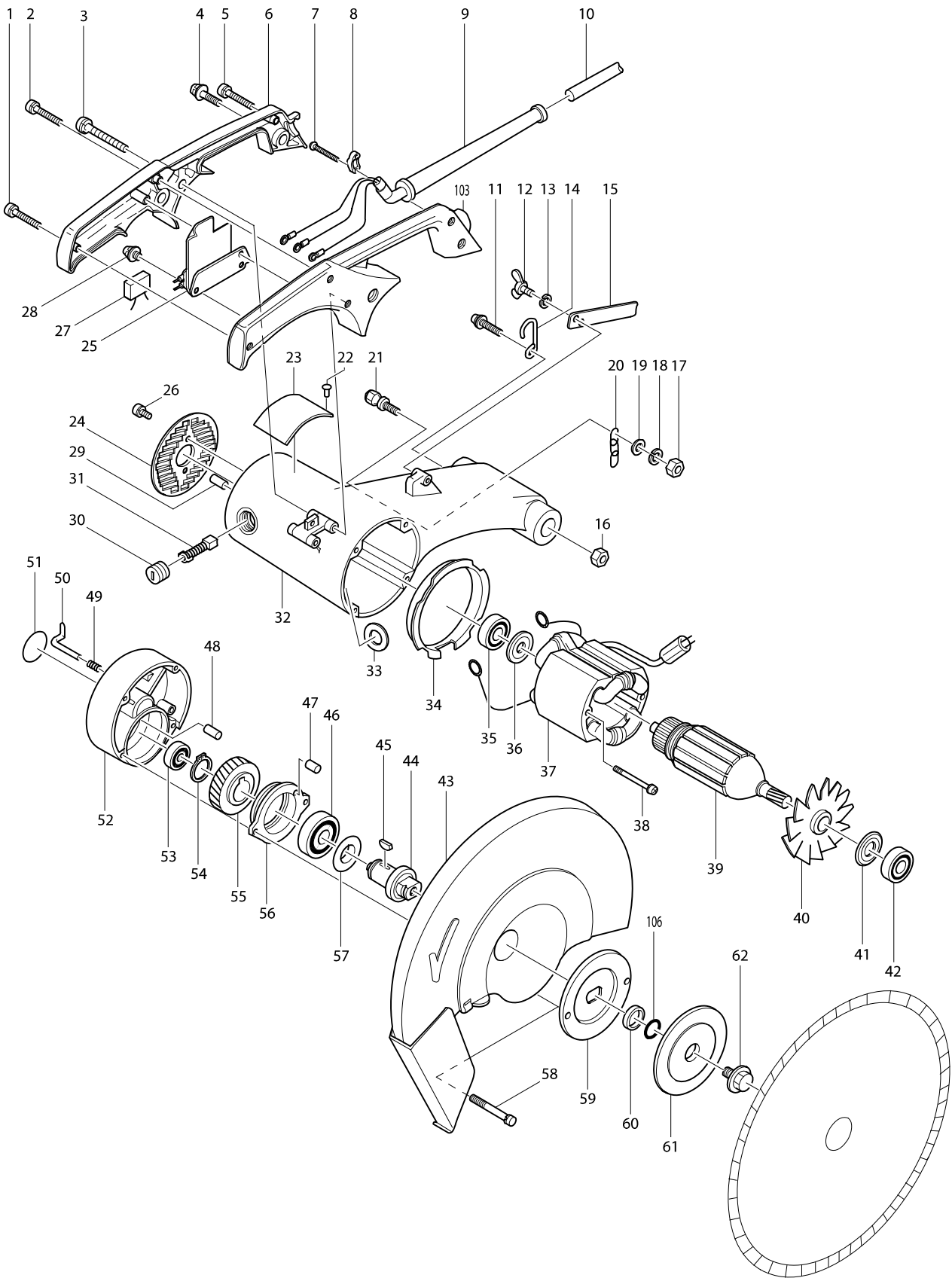
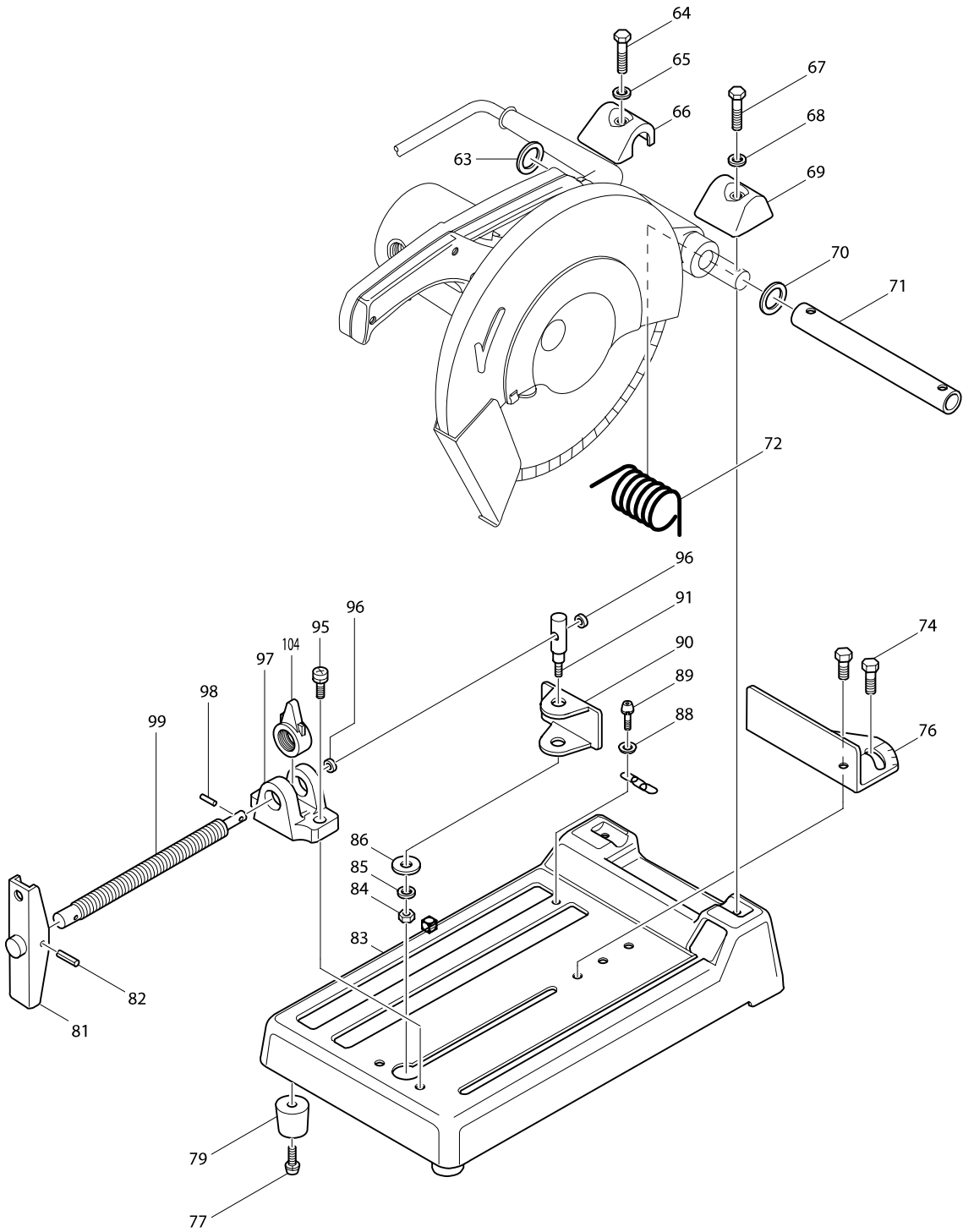


Model No. 2414 CUT-OFF 355MM



Model No. 2414 CUT-OFF 355MM



Model No. 2414 CUT-OFF 355MM

Item	Parts No.	Description	I/C	QTY	N/O	Opt. 1	Opt. 2	NOTE
001	911148-2	PAN HEAD SCREW M4X25		1				
002	911148-2	PAN HEAD SCREW M4X25		1				
003	911273-9	PAN HEAD SCREW M5X50		2				
004	911253-5	PAN HEAD SCREW M5X30		1				
005	911148-2	PAN HEAD SCREW M4X25		1				
006	181149-6	HANDLE SET		1	*			
D10		INC. 103			*			
006-1	182751-8	HANDLE SET	S	1				
D10		INC. 103						
007-3	911133-5	PAN HEAD SCREW M4X18		2	*			
007-4	265995-6	TAPPING SCREW 4X18	X	2				
008-2	687054-0	STRAIN RELIEF	X	1				
009	682507-4	CORD GUARD 12-200		1				
010R1	691337-2	POWER SUPPLY CORD 1.25-3-2.5		1				
011	911334-5	PAN HEAD SCREW M6X20		1	*			
012	322049-3	HOOK		1				
013	924206-5	WING BOLT M5X10		1				
014	942101-7	SPRING WASHER 5		1				
015	341395-5	STOPPER PLATE		1				
016	931302-2	HEX. NUT M6		1	*			
017	931302-2	HEX. NUT M6		1				
018	942151-2	SPRING WASHER 6		1				
019	253011-6	FLAT WASHER 6		1				
020-1	282013-5	CHAIN		1				
021-1	265380-3	HEX. BOLT M6X18		1				
022	953106-2	RIVET 0-5		4	*			
023	815060-7	NAME PLATE 2414		1	*			
023-1	859380-9	NAME PLATE 2414	X	1				
024	284010-7	REAR COVER		1				
025	651009-1	SWITCH NPAHR2-3S		1	*			
025-1	651018-0	SWITCH HPAHR2-3S	O	1				
026	911211-1	PAN HEAD SCREW M5X12		2				
028	911103-4	PAN HEAD SCREW M4X6		1				
029	263002-9	RUBBER PIN 4		1				
030	643650-4	BRUSH HOLDER CAP 6.5-13.5		2				
031-2	181044-0	CARBON BRUSH CB-153		1	*			
031-3	194985-1	CARBON BRUSH CB-153	<	1				
032-1	156409-5	MOTOR HOUSING	X	1				
C10	643653-8	BRUSH HOLDER 6.5-13.5		2				
C20	913206-0	SET SCREW M5X8		2				
D10		INC. 29						
033	681002-1	INSULATION WASHER		2				
034	343299-7	BAFFLE PLATE		1				
035	211066-7	BALL BEARING 6200LLB		1				
036	213051-6	DUST SEAL 10		1				
037C_	524493-2	FIELD ASS'Y 220V		1				
C10	654020-2	RING TERMINAL		2				
C20	654502-4	CONNECTOR P-2		2				

Model No. 2414 CUT-OFF 355MM

Item	Parts No.	Description	I/C	QTY	N/O	Opt. 1	Opt. 2	NOTE
038-1	911938-3	PAN HEAD SCREW M5X85		2				
039C_	514543-1	ARMATURE ASS'Y 220V		1				
D11		INC. 35,36,40,41,42						
040-1	241515-0	FAN 92		1				
041	213202-1	DUST SEAL 15		1				
042	211206-7	BALL BEARING 6202LLB		1				
043-1	168128-1	SAFETY COVER		1				
044	325517-5	SPINDLE	S	1				
045	254032-1	WOODRUFF KEY 5		1				
046	211306-3	BALL BEARING 6204LLB		1				
047	263005-3	RUBBER PIN 6		1				
048	263002-9	RUBBER PIN 4		1				
049	231240-1	COMPRESSION SPRING 7		1				
050	325518-3	STOPPER		1				
051-1	213460-9	O RING 35		1				
052-1	157331-9	GEAR HOUSING		1				
D10		INC. 48,51						
053	211061-7	BALL BEARING 6000LLB		1				
054	961060-6	RETAINING RING S-20		1				
055	221628-3	HELICAL GEAR 54		1				
056	157026-4	BEARING HOUSING		1				
D10		INC. 47						
057	253755-8	FLAT WASHER 20		1				
058	911276-3	PAN HEAD SCREW M5X55		4				
059	224141-0	INNER FLANGE 120		1				
060	257054-0	RING 20		1				
061	224142-8	OUTER FLANGE 120		1				
062	251680-7	HEX. BOLT M10X25		1				
063	253751-6	FLAT WASHER 24		1				
064	251683-1	HEX. BOLT M8X40		1				
065	942201-3	SPRING WASHER 8		1				
066	345141-8	PIPE COVER (L)		1				
067	251683-1	HEX. BOLT M8X40		1				
068	942201-3	SPRING WASHER 8		1				
069	345142-6	PIPE COVER (R)		1				
070	253751-6	FLAT WASHER 24		1				
071	331087-4	PIPE 24		1				
072	231526-3	TORSION SPRING 26		1				
074	265201-9	HEX. BOLT M10X25		2				
076	345145-0	GUIDE PLATE		1				
077-1	911349-2	PAN HEAD SCREW M6X28		3				
079-1	421277-8	CUSHION		3				
081	272014-1	HANDLE 130		3	*			
081-1	272021-4	HANDLE 120	X	1				
082	951169-2	SPRING PIN 5-28		1	*			
082-1	951163-4	SPRING PIN 5-20	X	1				
083	132385-7	BASE ASS'Y		1				
084-1	931402-8	HEX. NUT M8		1				

