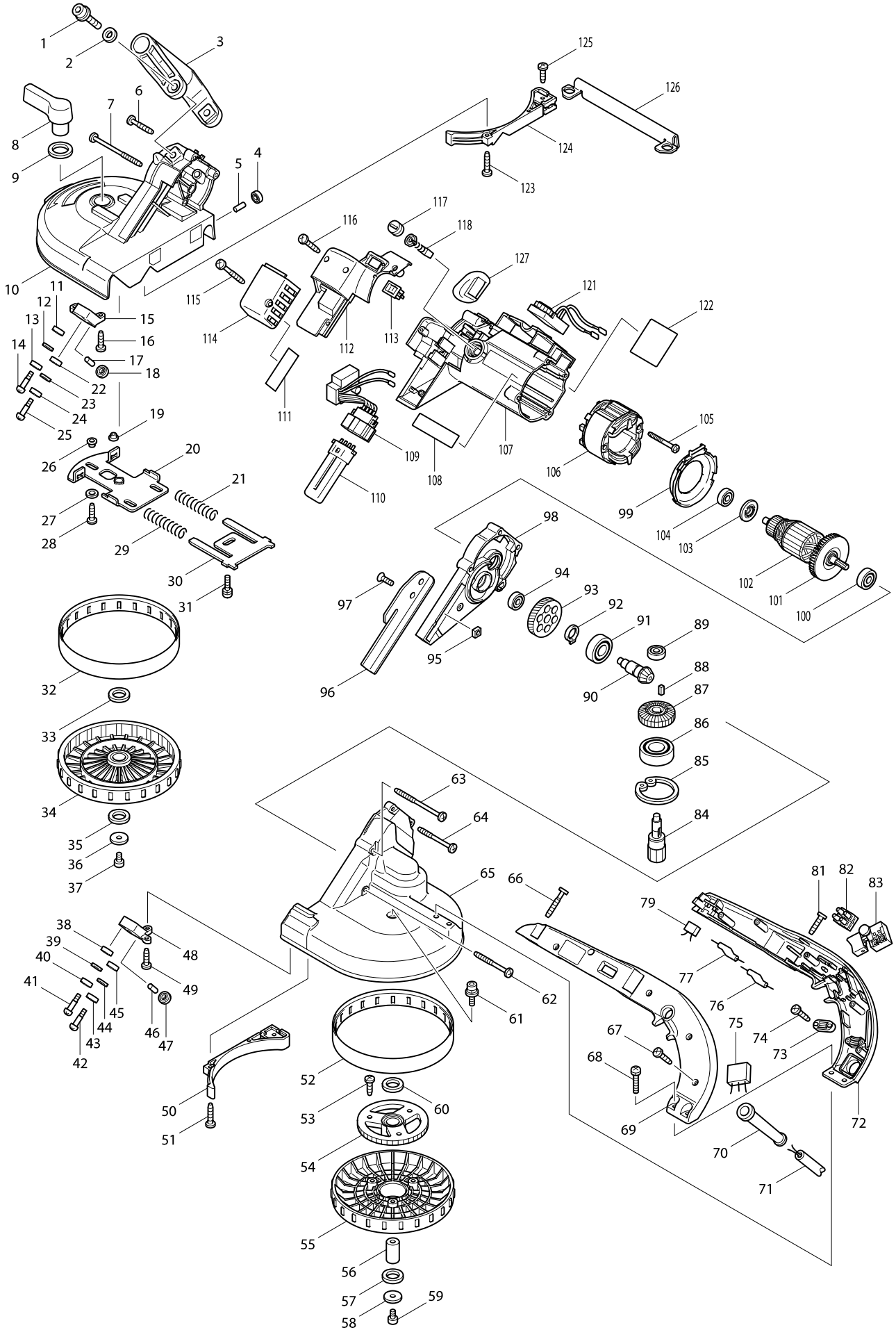
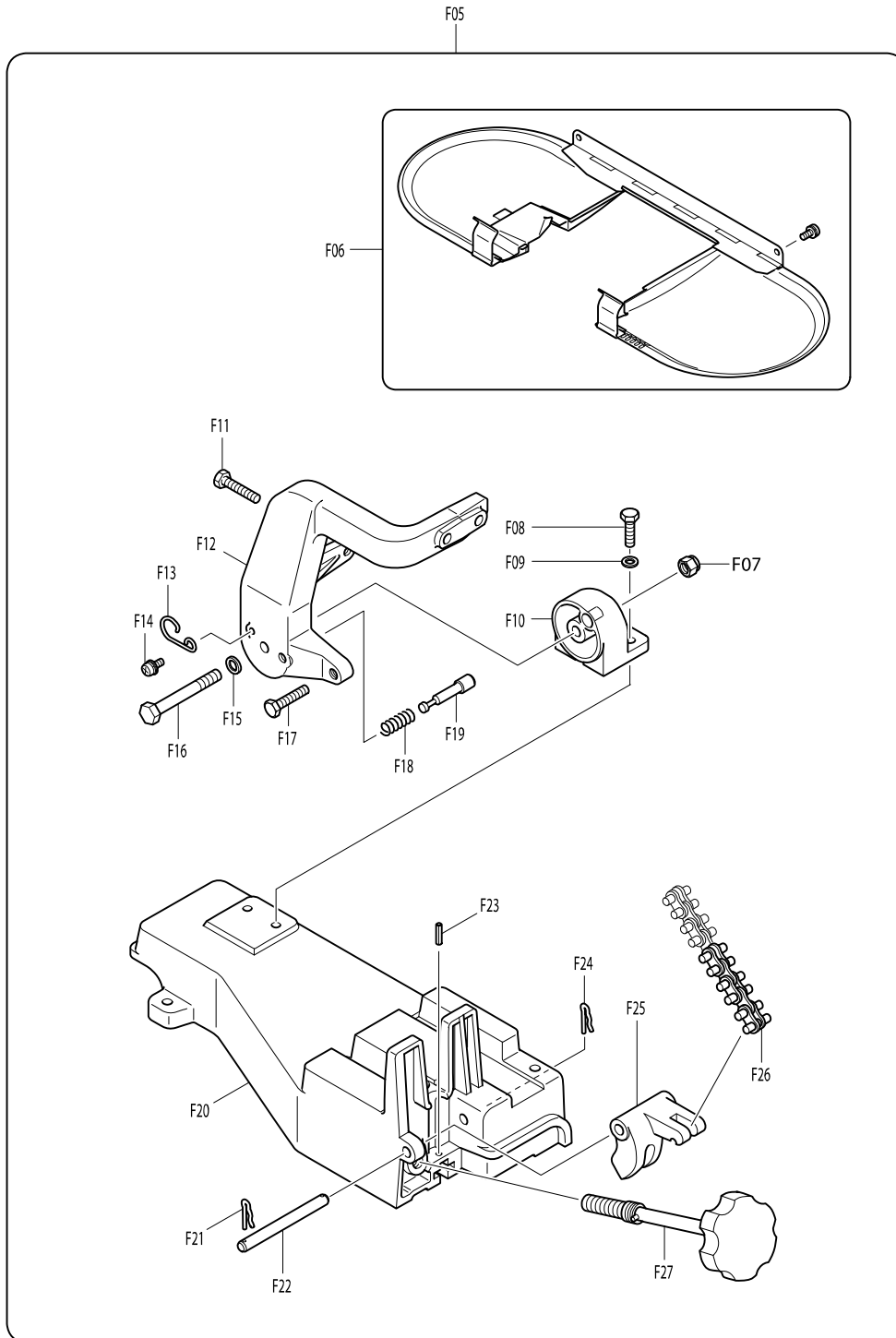


Model No. 2107F PORTABLE BAND SAW



Model No. 2107F PORTABLE BAND SAW



Model No. 2107F PORTABLE BAND SAW

Item	Parts No.	Description	I/C	QTY	N/O	Opt. 1	Opt. 2	NOTE
001	922456-6	HEX. SOCKET HEAD BOLT M8X35		2				
002	941202-8	FLAT WASHER 8		2				
003	273614-0	GRIP		1				
004	210033-9	BALL BEARING 696ZZ		1	*			
004-1	143517-1	BLADE GUIDE COMPLETE	S	1				
005	256033-5	PIN 6		1	*			
005-1	268225-4	PIN 5	S	1				
006	265999-8	TAPPING SCREW 4X25		2				
007	266147-2	TAPPING SCREW 4X55		2				
008	272223-2	LEVER 60		1				
009	267041-1	FLAT WASHER 20		1				
010-2	158702-3	FRONT WHEEL COVER COMPLETE		1				
C10	816212-3	INDICATIONAL LABEL		1				
011	210033-9	BALL BEARING 696ZZ		1				
012	941152-7	FLAT WASHER 6		1				
013	210033-9	BALL BEARING 696ZZ		1				
014	251337-0	+ PAN HEAD SCREW M5		1				
015	317824-0	UPPER HOLDER		1				
016	266034-5	TAPPING SCREW CT 4X16		2				
017	256033-5	PIN 6		1				
018	210033-9	BALL BEARING 696ZZ		1				
019	343494-9	SLEEVE 5		1				
020	163276-1	SLIDE PLATE		1				
021	231449-5	COMPRESSION SPRING 11		1				
022	210033-9	BALL BEARING 696ZZ		1				
023	941152-7	FLAT WASHER 6		1				
024	210033-9	BALL BEARING 696ZZ		1				
025	251337-0	+ PAN HEAD SCREW M5		1				
026	343494-9	SLEEVE 5		3				
027	941051-3	FLAT WASHER 4		3				
028	266034-5	TAPPING SCREW CT 4X16		3				
029	231449-5	COMPRESSION SPRING 11		1				
030	343489-2	TENSION PLATE		1				
031	911221-8	PAN HEAD SCREW M5X16		1				
032	421333-4	RUBBER TIRE		1				
033	253749-3	FLAT WASHER 16		1				
034	152325-9	WHEEL COMPLETE		1				
035	253749-3	FLAT WASHER 16		1				
036	253010-8	FLAT WASHER 6		1				
037	922312-0	HEX. SOCKET HEAD BOLT M6X12		1				
038	210033-9	BALL BEARING 696ZZ		1				
039	941152-7	FLAT WASHER 6		1				
040	210033-9	BALL BEARING 696ZZ		1				
041	251337-0	+ PAN HEAD SCREW M5		1				
042	251337-0	+ PAN HEAD SCREW M5		1				
043	210033-9	BALL BEARING 696ZZ		1				
044	941152-7	FLAT WASHER 6		1				
045	210033-9	BALL BEARING 696ZZ		1				

Model No. 2107F PORTABLE BAND SAW

Item	Parts No.	Description	I/C	QTY	N/O	Opt. 1	Opt. 2	NOTE
046	256033-5	PIN 6		1				
047	210033-9	BALL BEARING 696ZZ		1				
048	317823-2	LOWER HOLDER		1				
049	266034-5	TAPPING SCREW CT 4X16		2				
050	418784-0	SAW GUARD HOLDER		1				
051	266042-6	TAPPING SCREW BIND CT 4X20		2				
052	421333-4	RUBBER TIRE		1				
053	266021-4	TAPPING SCREW 5X20		3				
054-1	140140-3	GEAR COMPLETE		1				
055-1	419506-1	WHEEL		1				
056	324513-0	LOWER SHAFT		1				
057	253749-3	FLAT WASHER 16		1				
058	253010-8	FLAT WASHER 6		1				
059	922312-0	HEX. SOCKET HEAD BOLT M6X12		1				
060	253749-3	FLAT WASHER 16		1				
061	922323-5	HEX.SOCKET HEAD BOLT M6X16		1				
062	266203-8	TAPPING SCREW BIND CT 4X40		1				
063	266147-2	TAPPING SCREW 4X55		2				
064	266048-4	TAPPING SCREW 4X40		2				
065-1	317847-8	REAR WHEEL COVER		1				
066	265995-6	TAPPING SCREW 4X18		2				
067	265995-6	TAPPING SCREW 4X18		5				
068	911243-8	PAN HEAD SCREW M5X25		2				
069	183869-8	HANDLE SET		1				
D10		INC. 72						
070	682573-1	CORD GUARD 10		1				
071	691015-4	POWER SUPPLY CORD 0.75-2-2.5		1				
072	183869-8	HANDLE SET		1				
D10		INC. 69						
073	687053-2	STRAIN RELIEF		1				
074	265995-6	TAPPING SCREW 4X18		2				
081	266042-6	TAPPING SCREW BIND CT 4X20		2				
082	654531-7	TERMINAL BLOCK 2P		1				
083	651284-9	SWITCH SGEL115CDY-6		1				
084	227139-6	SPUR GEAR 8		1				
085	962203-3	RETAINING RING R-47		1				
086	211306-3	BALL BEARING 6204LLB		1				
087	227470-0	SPIRAL BEVEL GEAR 29		1				
088	254202-2	KEY 4		1				
089-1	210029-0	BALL BEARING 608ZZ		1				
090	227481-5	SPIRAL BEVEL GEAR 11		1				
091-1	211241-5	BALL BEARING 6202DDW		1				
092	961055-9	RETAINING RING S-15		1				
093	226593-1	HELICAL GEAR 64		1				
094-1	210029-0	BALL BEARING 608ZZ		1				
095	252157-5	SQUARE NUT M6		2				
096	345467-8	STOPPER PLATE		1				
097	251981-3	HEX. SOCKET HEAD BOLT M6X16		2				

