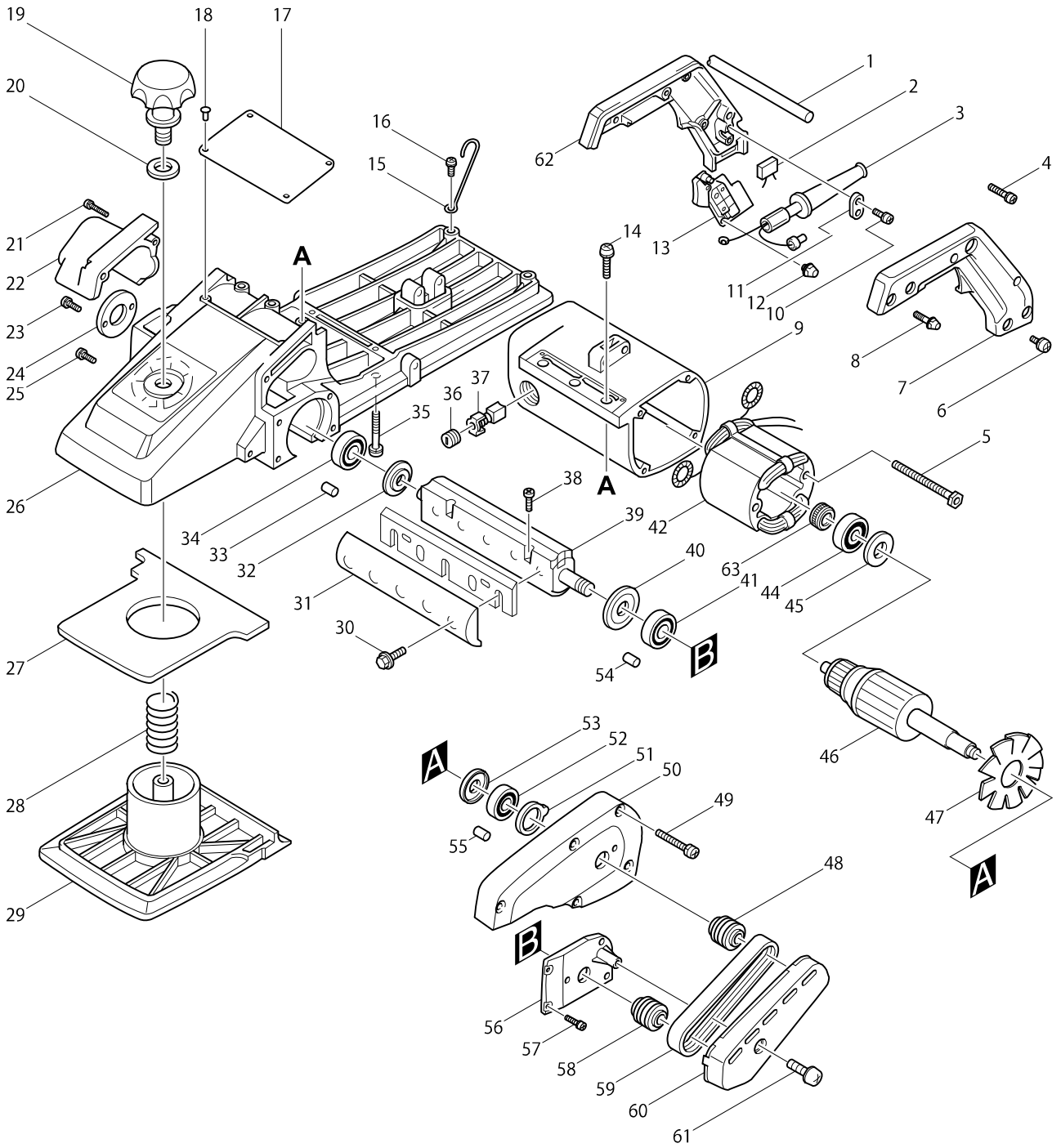


Model No. 1806B POWER PLANER 170MM



Model No. 1806B POWER PLANER 170MM

Item	Parts No.	Description	I/C	QTY	N/O	Opt. 1	Opt. 2	NOTE
001Q1	691227-9	POWER SUPPLY CORD 1.25-2-5.0		1				
003	682505-8	CORD GUARD 10-90		1				
004	911158-9	PAN HEAD SCREW M4X30		2				
005-1	911300-2	PAN HEAD SCREW M5X75		2				
006	911213-7	PAN HEAD SCREW M5X12		4				
007	181151-9	HANDLE SET		1				
D10		INC. 62						
008	911253-5	PAN HEAD SCREW M5X30		2				
009	156414-2	MOTOR HOUSING		1	*			
C10	643653-8	BRUSH HOLDER 6.5-13.5		2	*			
C20	913206-0	SET SCREW M5X8		2	*			
009-1	156414-2	MOTOR HOUSING	O	1				
C10	643653-8	BRUSH HOLDER 6.5-13.5		2				
010-1	911133-5	PAN HEAD SCREW M4X18		2				
011	687000-3	STRAIN RELIEF		1				
012	911103-4	PAN HEAD SCREW M4X6		2				
013-1	651018-0	SWITCH HPAHR2-3S		1				
014	911228-4	PAN HEAD SCREW M5X18		3				
015	281007-7	HOLDER		1				
016	911324-8	PAN HEAD SCREW M6X16		1				
017	854895-1	NAME PLATE 1806B		1				
018	953106-2	RIVET 0-5		4				
019	271249-1	KNOB 64		1				
020	253004-3	FLAT WASHER 13		1				
021	911158-9	PAN HEAD SCREW M4X30		2				
022	410149-2	CHIP COVER		1				
023	911206-4	PAN HEAD SCREW M5X10		2				
024	285011-8	BEARING COVER 38		1	*			
024-1	285004-5	BEARING COVER 38	X	1				
025-1	911206-4	PAN HEAD SCREW M5X10		2				
026	157163-4	MAIN FRAME		1				
C10	816405-2	SCALE PLATE		1	*			
C11	816366-6	SCALE LABEL	S	1				
C20	953106-2	RIVET 0-5		4	*			
027	423094-2	RUBBER PACKING		1				
028	231233-8	COMPRESSION SPRING 24		1				
029	315575-9	FRONT BASE		1				
030-1	265322-7	HEX. SOCKET HEAD BOLT M6X18		10	*			
030-2	265484-1	HEX. SOCKET HEAD BOLT M6X17	X	10				
031	342604-5	DRUM PLATE (2PCS/SET)		1	*			
031-1	344466-7	DRUM PLATE	X	1	*			
031-2	187675-3	DRUM PLATE SET	O	1				
032	341376-9	WASHER 10		1				
034	211067-5	BALL BEARING 6200ZZ		1				
035	911256-9	PAN HEAD SCREW M5X35		2				
036	643650-4	BRUSH HOLDER CAP 6.5-13.5		2				
037-1	181044-0	CARBON BRUSH CB-153		1	*			
037-2	194985-1	CARBON BRUSH CB-153	<	1				

Model No. 1806B POWER PLANER 170MM

Item	Parts No.	Description	I/C	QTY	N/O	Opt. 1	Opt. 2	NOTE
038	251212-0	+ FLAT HEAD SCREW M5X13		4				
039	161092-5	DRUM		1	*			
039-1	161132-9	DRUM	X	1				
040	341377-7	WASHER 12		1				
041	211107-9	BALL BEARING 6201ZZ		1				
042B_	523025-2	FIELD ASS'Y 220V		1				
C10	654020-2	RING TERMINAL		2				
C20	654502-4	CONNECTOR P-2		2				
044-1	211063-3	BALL BEARING 6000LB		1	*			
044-2	211061-7	BALL BEARING 6000LLB	O	1				
045-1	681624-7	INSULATION WASHER		1	*			
045-2	681635-2	INSULATION WASHER	X	1				
046B1	513388-4	ARMATURE ASS'Y 220V		1	*			
D10		INC. 44,45,47,52,53			*			
046B2	513388-4	ARMATURE ASS'Y 220V	O	1				
D10		INC. 44,45,47,52,53						
047	241013-4	FAN 80		1				
048	222007-8	V-PULLEY 6-23L		1				
049	911263-2	PAN HEAD SCREW M5X40		5				
050	152214-8	BRACKET COMPLETE		1				
D10		INC. 55						
051	341384-0	WASHER 26		1				
052	211106-1	BALL BEARING 6201LLB		1				
053	213102-5	DUST SEAL 12		1				
054	263005-3	RUBBER PIN 6		1				
055	263005-3	RUBBER PIN 6		1				
056	157024-8	DRUM HOUSING		1				
D10		INC. 54						
057	911121-2	PAN HEAD SCREW M4X14		4				
058	222006-0	V-PULLEY 6-30		1				
059	225042-5	POLY V-BELT 6-304		1				
060	343301-6	BELT COVER		1				
061	911206-4	PAN HEAD SCREW M5X10		1				
062	181151-9	HANDLE SET		1				
D10		INC. 7						
063	421417-8	RUBBER RING 26		1	*			
063-1	421490-8	RUBBER RING 26	S	1				
400	762001-3	TRIANGULAR RULE		1				
401	934201-7	WING NUT M5		2				
402	123053-3	GUIDE RULE ASS'Y		1				
D10		INC. 401,403						
403	923211-9	CAP SQUARE NECK BOLT M5X12		2				
404	793186-4	PLANER BLADE 170		1				
405-1	783202-0	HEX. WRENCH 4		1				
408	123006-2	SHARPENING HOLDER ASS'Y		1				
409-1	821137-8	WOODEN CARRYING CASE		1				
410	442202-6	ANTI CORROSION PAPER		1				