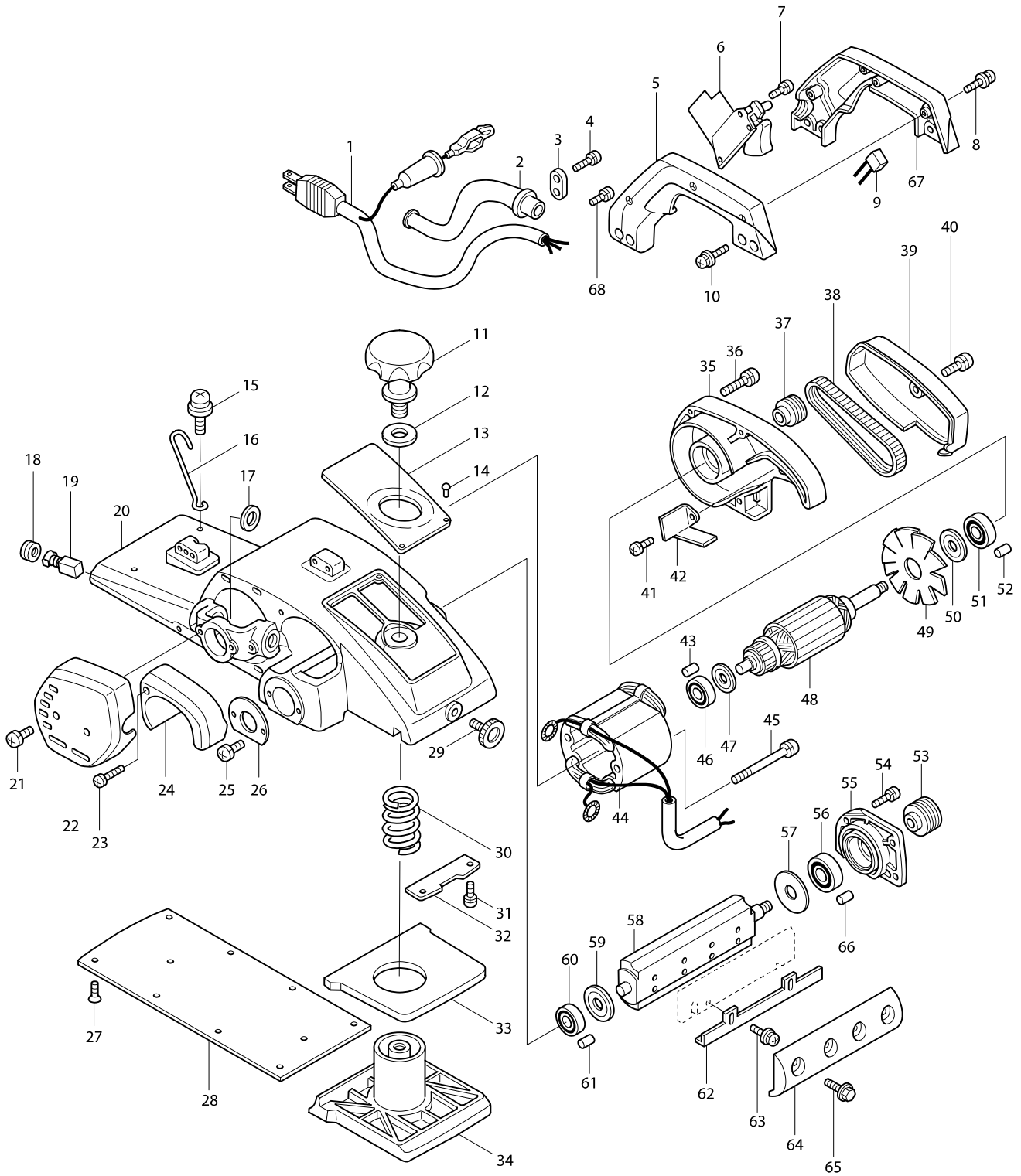


# Model No. 1805N POWER PLANER 155MM



# Model No. 1805N POWER PLANER 155MM

Item	Parts No.	Description	I/C	QTY	N/O	Opt. 1	Opt. 2	NOTE
001A1	691346-1	POWER SUPPLY CORD 1.25-3-5.0		1				
002	682507-4	CORD GUARD 12-200		1	*			
002-1	682540-6	CORD GUARD 9.3-90	X	1				
003-1	687034-6	STRAIN RELIEF		1	*			
003-2	687000-3	STRAIN RELIEF	X	1				
004-3	911133-5	PAN HEAD SCREW M4X18		2				
005	181137-3	HANDLE SET		1				
D10		INC. 67						
006-2	651030-0	SWITCH HPAHR2-2S		1				
007	911101-8	PAN HEAD SCREW M4X6		2				
008	911158-9	PAN HEAD SCREW M4X30		3				
010	911213-7	PAN HEAD SCREW M5X12		8				
011	271249-1	KNOB 64		1				
012	253004-3	FLAT WASHER 13		1				
013	815043-7	NAME PLATE 1805N		1	*			
013-1	859316-8	NAME PLATE 1805N	X	1				
014-2	953106-2	RIVET 0-5	X	4	*			
015	911324-8	PAN HEAD SCREW M6X16		1				
016	281007-7	HOLDER		1				
017	681002-1	INSULATION WASHER		2				
018	643650-4	BRUSH HOLDER CAP 6.5-13.5		2				
019-2	181044-0	CARBON BRUSH CB-153		1	*			
019-3	194985-1	CARBON BRUSH CB-153	<	1				
020-1	156523-7	MAIN FRAME		1	*			
020-2	150893-6	MAIN FRAME COMPLETE	S	1				
C10	643653-8	BRUSH HOLDER 6.5-13.5		2				
C20	913206-0	SET SCREW M5X8		2				
C30	816336-5	SCALE LABEL		1				
D10		INC. 43,61						
021	911206-4	PAN HEAD SCREW M5X10		2				
022	284040-8	REAR COVER		1				
023	911166-0	PAN HEAD SCREW M4X40		1				
024	312886-3	CHIP COVER		1				
025	911206-4	PAN HEAD SCREW M5X10		2				
026	285004-5	BEARING COVER 38		1				
027-1	912117-6	COUNTERSUNK HEAD SCREW M4X12		10				
028	341224-2	BASE		1	*			
028-1	344583-3	BASE	X	1				
029	251804-5	SCREW M6X13		1				
030	231233-8	COMPRESSION SPRING 24		1				
031	911106-8	PAN HEAD SCREW M4X8		2				
032	341374-3	GUIDE PLATE		1				
033	421141-3	RUBBER PACKING		1	*			
033-1	421597-0	RUBBER PACKING	X	1				
034	155204-0	FRONT BASE COMPLETE		1	*			
034-1	150845-7	FRONT BASE COMPLETE	X	1				
035	152213-0	BRACKET COMPLETE		1				
D10		INC. 52						

# Model No. 1805N POWER PLANER 155MM

Item	Parts No.	Description	I/C	QTY	N/O	Opt. 1	Opt. 2	NOTE
036	911241-2	PAN HEAD SCREW M5X25		4				
037	222007-8	V-PULLEY 6-23L		1				
038	225006-9	POLY V-BELT 6-285		1				
039	343293-9	BELT COVER		1				
040	911206-4	PAN HEAD SCREW M5X10		1				
041	911106-8	PAN HEAD SCREW M4X8		1				
042	342489-9	BAFFLE PLATE		1				
043	263002-9	RUBBER PIN 4		1				
044C_	523025-2	FIELD ASS'Y 220V		1				
C10	654020-2	RING TERMINAL		2				
C20	654502-4	CONNECTOR P-2		2				
045-1	911295-9	PAN HEAD SCREW M5X70		2				
046	211066-7	BALL BEARING 6200LLB		1				
047	213051-6	DUST SEAL 10		1				
048C_	513145-0	ARMATURE ASS'Y 220V		1				
D10		INC. 46-51						
049	241013-4	FAN 80		1				
050	213102-5	DUST SEAL 12		1				
051	211106-1	BALL BEARING 6201LLB		1	*			
051-1	211144-3	BALL BEARING 6201LLB	<	1	*			
051-2	211106-1	BALL BEARING 6201LLB	O	1				
052	263005-3	RUBBER PIN 6		1				
053	222006-0	V-PULLEY 6-30		1				
054	911121-2	PAN HEAD SCREW M4X14		4	*			
054-1	911116-5	PAN HEAD SCREW M4X12	X	4				
055	157023-0	DRUM HOUSING		1				
D10		INC. 66						
056	211107-9	BALL BEARING 6201ZZ		1				
057	341377-7	WASHER 12		1				
058	161056-9	DRUM		1				
059	341376-9	WASHER 10		1				
060	211067-5	BALL BEARING 6200ZZ		1				
061	263002-9	RUBBER PIN 4		1				
062	342165-5	ADJUSTING PLATE		2				
063	251246-3	+ PAN HEAD SCREW M4X5		4				
064	345027-6	DRUM PLATE		1	*			
064-1	187681-8	DRUM PLATE SET	O	1				
065	251609-3	HEX. FLANGE HEAD BOLT M6X17		8				
066	263005-3	RUBBER PIN 6		1				
067	181137-3	HANDLE SET		1				
D10		INC. 5						
068	652014-1	PAN HEAD SCREW M4X8		1				
400	123006-2	SHARPENING HOLDER ASS'Y		1				
C10	934301-3	WING NUT M6		2				
C20	251920-3	CAP SQUARE NECK BOLT M6X30		2				
405	911218-7	PAN HEAD SCREW M5X14		2				
406	411111-0	GAUGE PLATE		1				
407	251212-0	+ FLAT HEAD SCREW M5X13		2				

