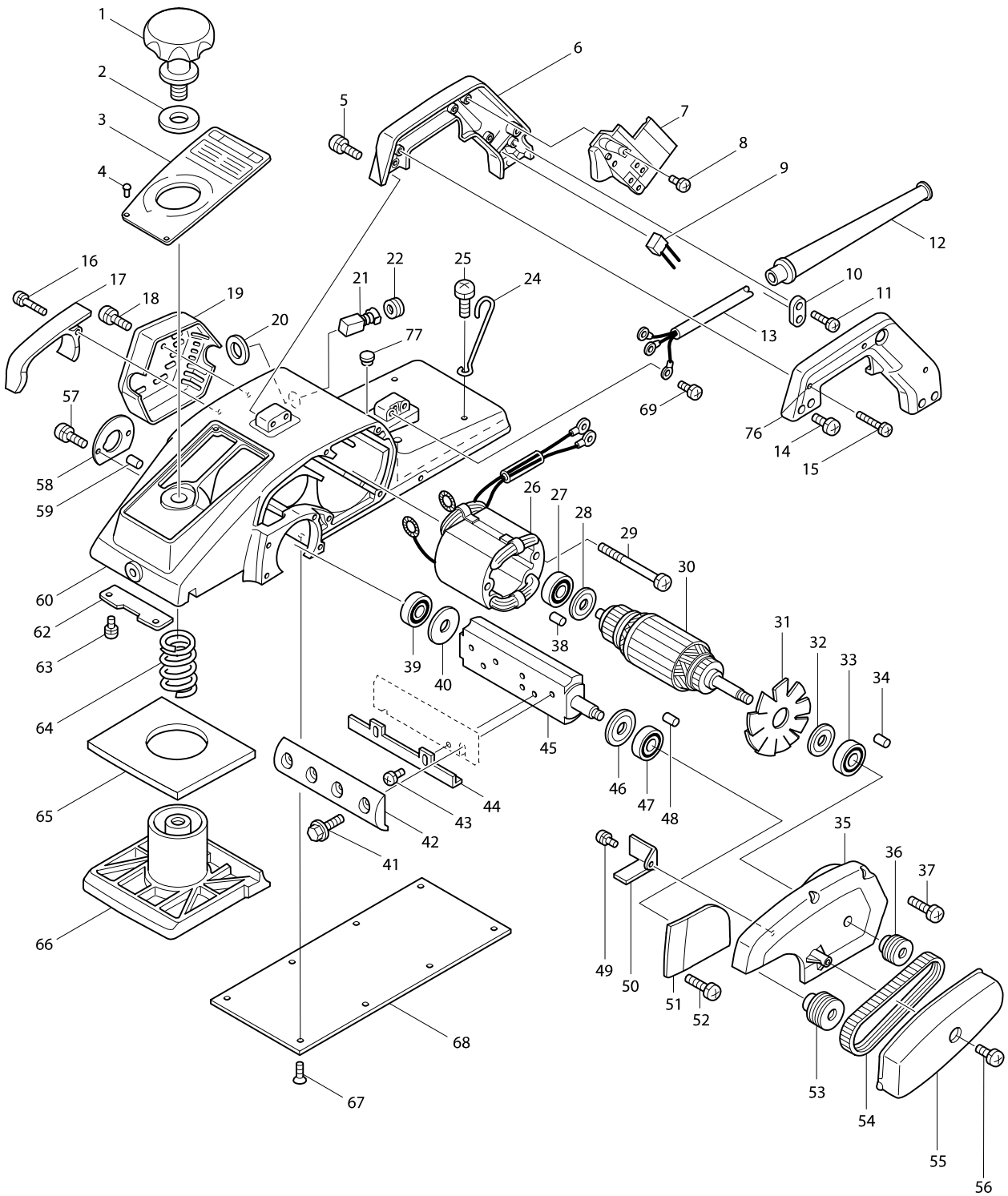


Model No. 1804N POWER PLANER 136MM



Model No. 1804N POWER PLANER 136MM

Item	Parts No.	Description	I/C	QTY	N/O	Opt. 1	Opt. 2	NOTE
001	271249-1	KNOB 64		1				
002	253004-3	FLAT WASHER 13		1				
003	815044-5	NAME PLATE 1804N		1	*			
003-1	859274-8	NAME PLATE 1804N	S	1				
004-2	953106-2	RIVET 0-5	X	4	*			
005	911213-7	PAN HEAD SCREW M5X12		4				
006	181137-3	HANDLE SET		1				
D10		INC. 76						
007-1	651029-5	SWITCH NPAHR2-2S		1	*			
007-2	651030-0	SWITCH HPAHR2-2S	O	1				
008	911101-8	PAN HEAD SCREW M4X6		2				
010-1	687034-6	STRAIN RELIEF		1				
011-3	911133-5	PAN HEAD SCREW M4X18		2				
012	682507-4	CORD GUARD 12-200		1				
013R1	691346-1	POWER SUPPLY CORD 1.25-3-5.0		1				
014	911213-7	PAN HEAD SCREW M5X12		4				
015	911158-9	PAN HEAD SCREW M4X30		3				
016	911146-6	PAN HEAD SCREW M4X25		1				
017	312884-7	CHIP COVER		1				
018	911206-4	PAN HEAD SCREW M5X10		2				
019	284040-8	REAR COVER		1				
020	681002-1	INSULATION WASHER		2				
021-2	181044-0	CARBON BRUSH CB-153		1	*			
021-3	194985-1	CARBON BRUSH CB-153	<	1				
022	643650-4	BRUSH HOLDER CAP 6.5-13.5		2				
024	281007-7	HOLDER		1				
025	911324-8	PAN HEAD SCREW M6X16		1				
026C_	523025-2	FIELD ASS'Y 220V		1				
C10	654020-2	RING TERMINAL		2				
C20	654502-4	CONNECTOR P-2		2				
027	211066-7	BALL BEARING 6200LLB		1				
028	213051-6	DUST SEAL 10		1				
029-1	911295-9	PAN HEAD SCREW M5X70		2				
030C_	513145-0	ARMATURE ASS'Y 220V		1				
D10		INC. 27,28,31-33						
031	241013-4	FAN 80		1				
032	213102-5	DUST SEAL 12		1				
033	211106-1	BALL BEARING 6201LLB		1	*			
033-1	211144-3	BALL BEARING 6201LLB	O	1	*			
033-2	211106-1	BALL BEARING 6201LLB	O	1				
034	263005-3	RUBBER PIN 6		1				
035	152213-0	BRACKET COMPLETE		1				
D10		INC. 34						
036	222007-8	V-PULLEY 6-23L		1				
037	911241-2	PAN HEAD SCREW M5X25		4				
038	263002-9	RUBBER PIN 4		1				
039	211067-5	BALL BEARING 6200ZZ		1				
040	341376-9	WASHER 10		1				

Model No. 1804N POWER PLANER 136MM

Item	Parts No.	Description	I/C	QTY	N/O	Opt. 1	Opt. 2	NOTE
041	251609-3	HEX. FLANGE HEAD BOLT M6X17		8				
042-1	344341-7	DRUM PLATE		2	*			
042-2	187673-7	DRUM PLATE SET	O	1				
043	251246-3	+ PAN HEAD SCREW M4X5		4				
044	342193-0	ADJUST PLATE		2				
045	161017-9	DRUM		1				
046	341377-7	WASHER 12		1				
047	211107-9	BALL BEARING 6201ZZ		1				
048	263005-3	RUBBER PIN 6		1				
049	911106-8	PAN HEAD SCREW M4X8		1				
050	342489-9	BAFFLE PLATE		1				
051	157023-0	DRUM HOUSING		1				
D10		INC. 48						
052-1	911116-5	PAN HEAD SCREW M4X12		4				
053	222006-0	V-PULLEY 6-30		1				
054	225006-9	POLY V-BELT 6-285		1				
055	343293-9	BELT COVER		1				
056	911206-4	PAN HEAD SCREW M5X10		1				
057	911206-4	PAN HEAD SCREW M5X10		2				
058	285004-5	BEARING COVER 38		1				
059	263002-9	RUBBER PIN 4		1				
060	156522-9	MAIN FRAME		1	*			
C10	913206-0	SET SCREW M5X8		2	*			
C30	643653-8	BRUSH HOLDER 6.5-13.5		2	*			
D10		INC. 38,59			*			
060-1	150811-4	MAIN FRAME	S	1	*			
C10	913206-0	SET SCREW M5X8		2	*			
C30	643653-8	BRUSH HOLDER 6.5-13.5		2	*			
C40	816335-7	SCALE LABEL		1	*			
D10		INC. 38,59			*			
060-2	150811-4	MAIN FRAME	X	1				
C10	913206-0	SET SCREW M5X8		2				
C20	643653-8	BRUSH HOLDER 6.5-13.5		2				
C30	816335-7	SCALE LABEL		1				
D10		INC. 38,59,77						
062	341374-3	GUIDE PLATE		1				
063	911106-8	PAN HEAD SCREW M4X8		2				
064	231233-8	COMPRESSION SPRING 24		1				
065	421141-3	RUBBER PACKING		1				
066	312885-5	FRONT BASE		1				
067-1	912117-6	COUNTERSUNK HEAD SCREW M4X12		10				
068	341224-2	BASE		1	*			
068-1	344583-3	BASE	X	1				
069	652014-1	PAN HEAD SCREW M4X8		1				
076	181137-3	HANDLE SET		1				
D10		INC. 6						
077	286231-7	CAP 15		1				
400	123006-2	SHARPENING HOLDER ASS'Y		1				

